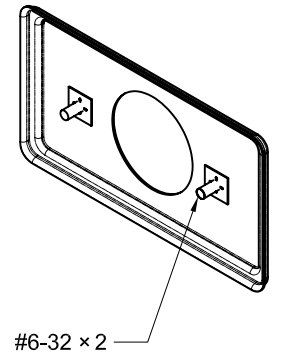
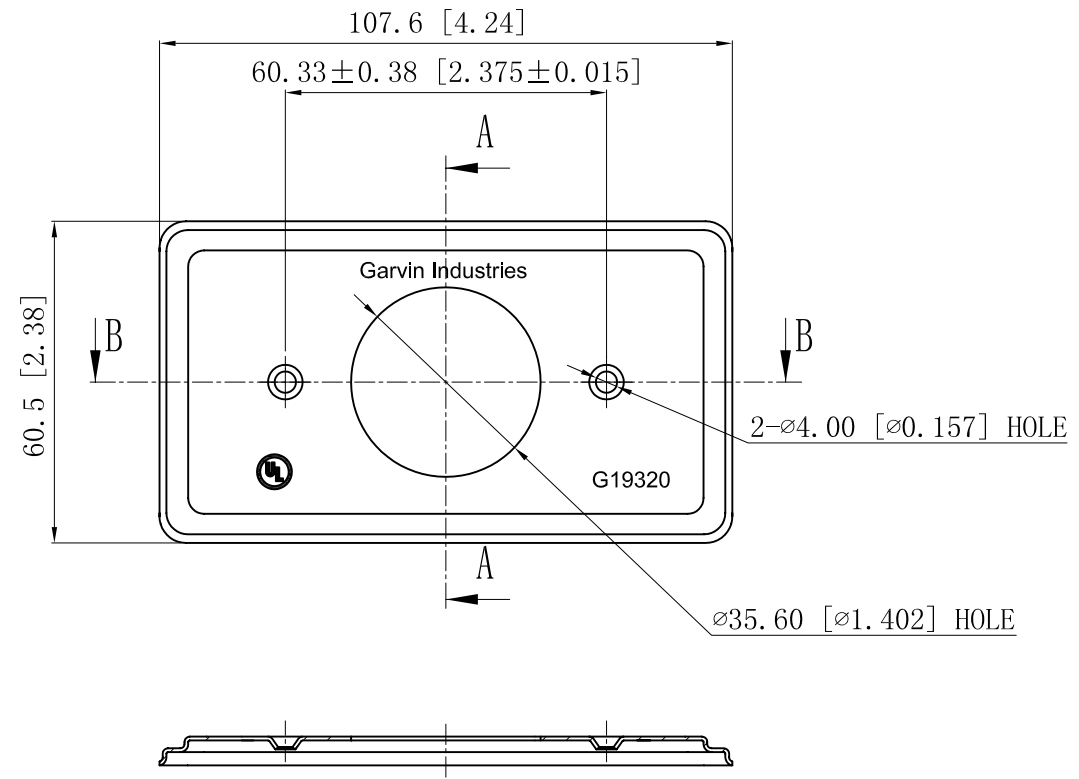
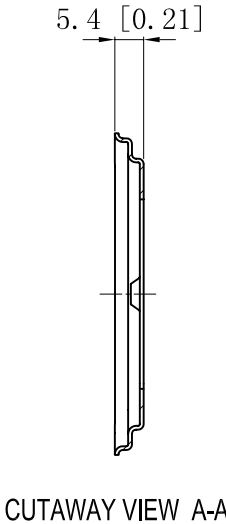


SIDES	BOTTOM
2 PCS 6-32×3/8 Screws Installed	
Material:Steel-0.031MIN"-G60 Galvanized	



CUTAWAY VIEW B-B

This data sheet is for reference only .GARVIN INDUSTRIES reserves the right to make changes to the design without prior notice.

DESCRIPTION
TRADE REFERENCE TERMS

STANDARD PACKING
100 PCS

TITLE			G19320	REV C
GARVIN INDUSTRIES HANDY UTILITY BOX COVERS				
SIZE	DWG NO.			
A4		DATA SHEET		