

OXFORD MIRROR ASSEMBLY INSTRUCTIONS

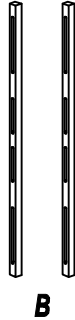
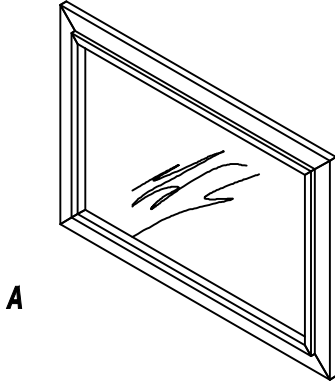


PARTS AND FITTING PACKAGING DETAIL

BOX MIRROR

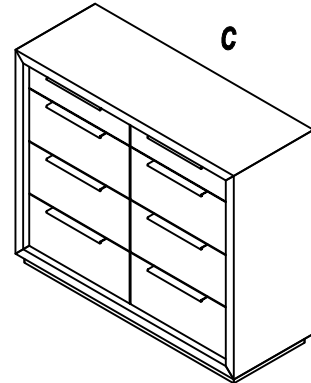
- A. MIRROR 1 PC
- B. MIRROR SUPPORT 2 PCS

HARDWARE POUCH**



BOX DRESSER *

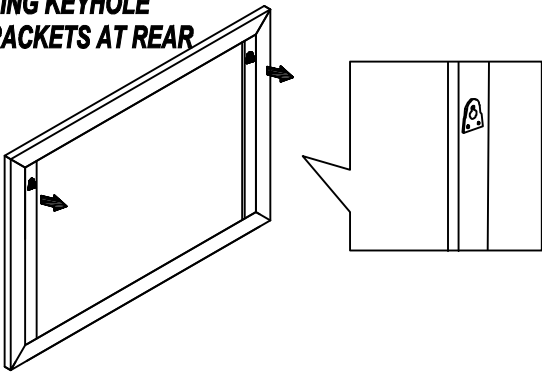
- C. DRESSER 1 PC



*SOLD SEPARATELY

OPTION 1

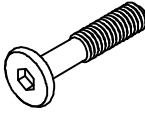

WALL MOUNTING
FIX MIRROR TO WALL
USING KEYHOLE
BRACKETS AT REAR



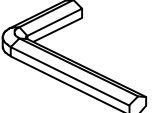
WARNING

FOR YOUR SAFETY AND CONVENIENCE
ASSEMBLY BY TWO PEOPLE IS RECOMMENDED

HARDWARE** POUCH
PACKED IN BOX MIRROR

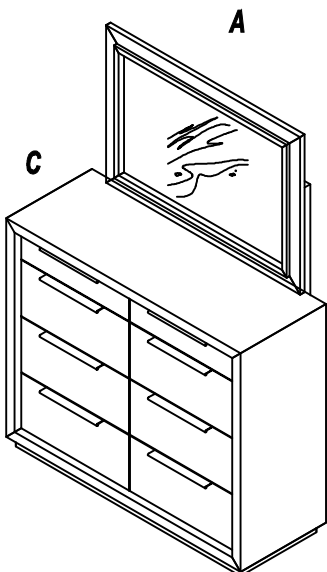
1	ALLEN BOLTS 6X50MM	8 PCS	2	FLAT WASHER 6X16MM	8 PCS
					

TOOL REQUIRED:

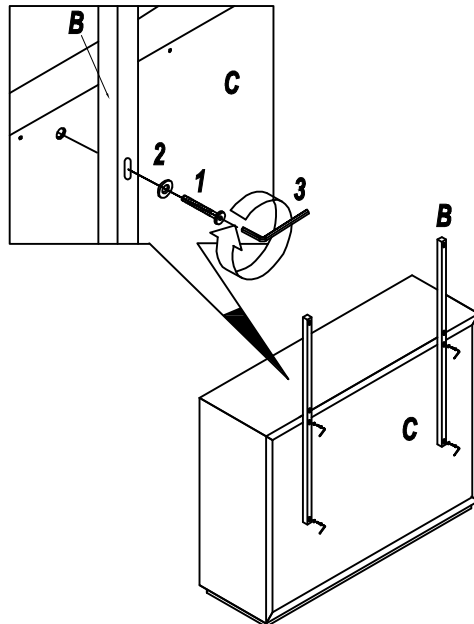
3	ALLEN KEY M4	1 PC
		

OPTION 2

DRESSER MOUNTING



STEP 1 :
FIX MIRROR SUPPORTS (B) TO DRESSER (C)
USING ALLEN BOLTS (1) AND WASHERS (2).
TIGHTEN BOLTS WITH ALLEN KEY (3).
DO NOT TIGHTEN BOLTS COMPLETELY
UNTIL YOU HAVE COMPLETED STEP 2.



STEP 2 :
FIX MIRROR (A) TO MIRROR SUPPORTS (B)
WITH ALLEN BOLTS (1) AND WASHERS (2).
TIGHTEN ALL BOLTS WITH ALLEN KEY (3).

