

ITEM# 82350

Mission OAK 25"H,50"W TV Cart

Leick
Home
SINCE 1910

2219 S. 19th St.

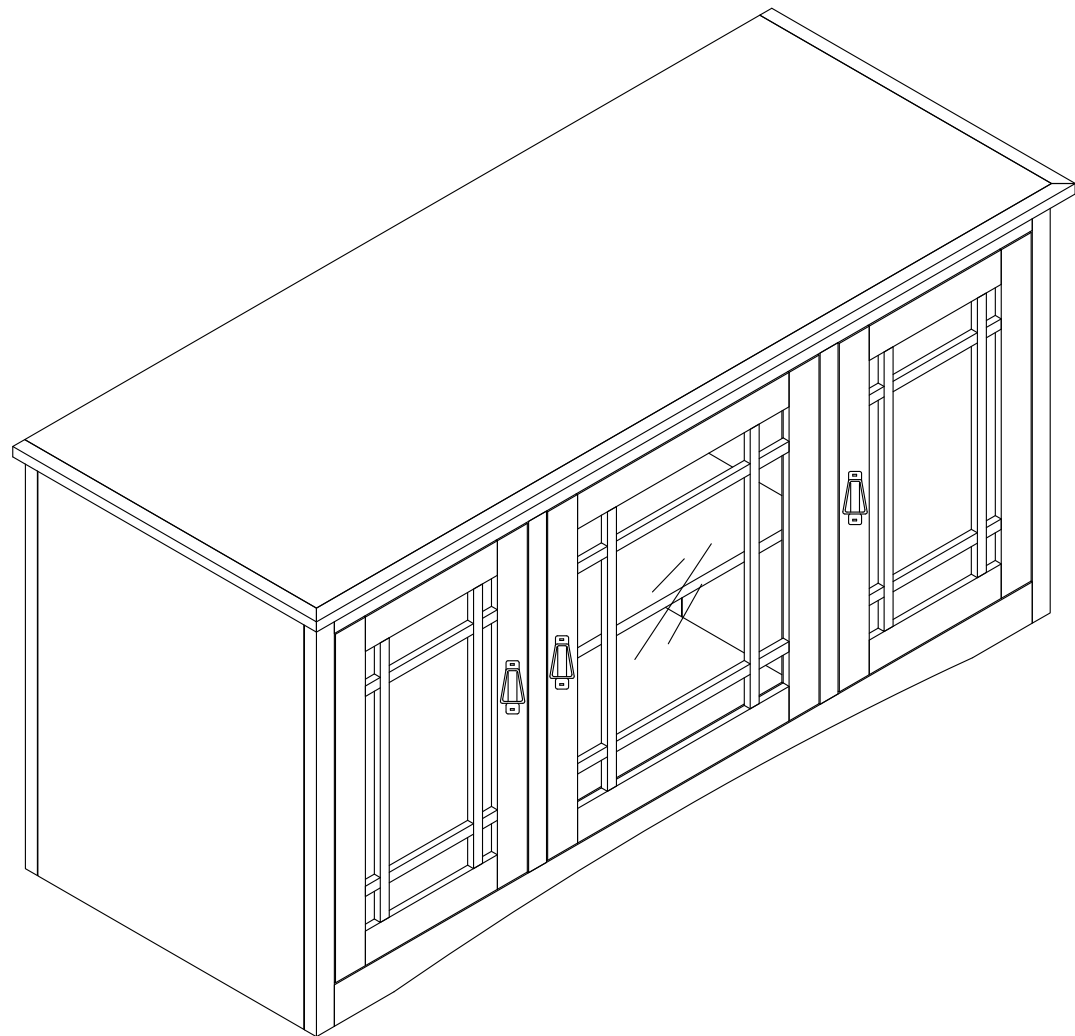
Sheboygan, WI 53081

Ph: 920-451-4060

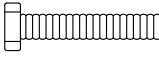

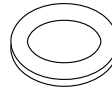
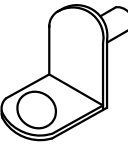


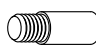
Fax: 920-451-4063

info@leickhome.com

www.leickhome.com



Hardware List

Item	Description	Qty
a	 Bolt 1/4"x1-1/8"	4PCS
b	 Allen wrench	1PC
c	 Washer 1/4"x12mm	4PCS
d	 Flat Shelf Supports	12PCS
e	 Door Pull	3PCS
f	 Machine screw for door pull 5/32"x7/8"	6PCS
g	 Rounded Shelf Supports	8PCS

Parts List

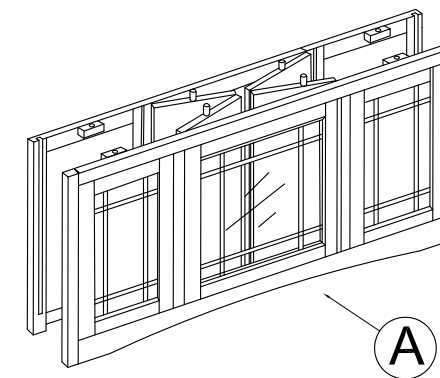
Item	Description	Qty
A	Cabinet	1PC
B	Top Panel	1PC
C	Side Panel	2PCS
D	Middle Bottom Panel	1PC
E	Side Bottom Panel	2PCS
F	Middle Adjustable Shelf	1PC
G	Side Adjustable Shelf	2PCS

Assembly Instructions

Two person assembly recommended.

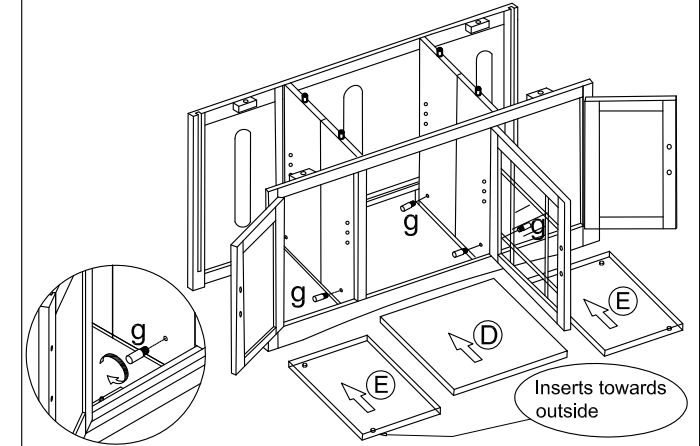
Step 1

Pull the face frame to unfold the cabinet.



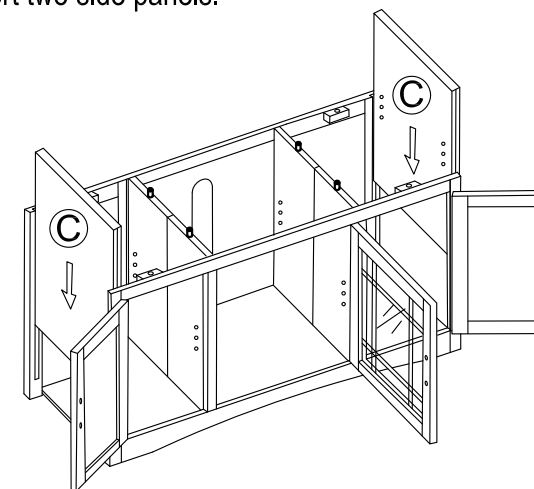
Step 2

Open 3 doors. Screw-in eight rounded shelf supports onto vertical panels, then insert the bottom panels.



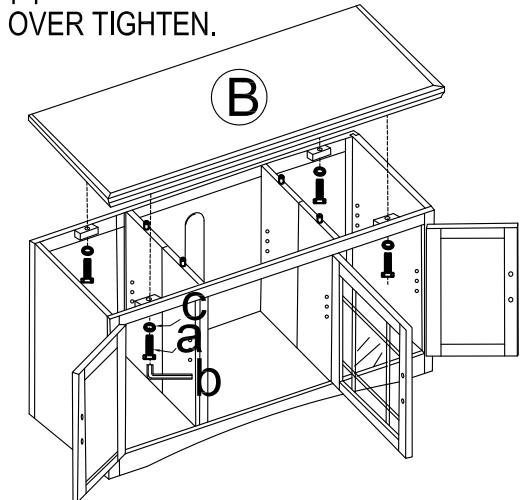
Step 3

Insert two side panels.



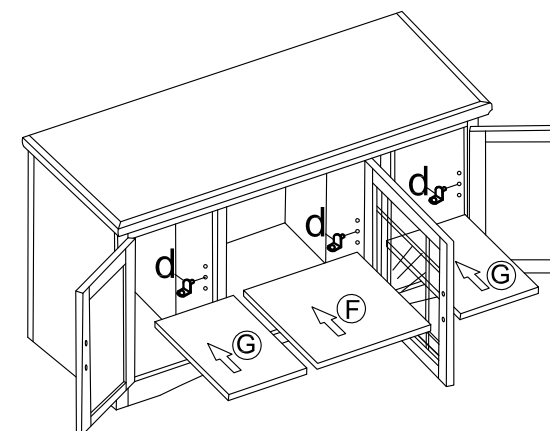
Step 4

Put the top panel on and fasten with 4 bolts. DO NOT OVER TIGHTEN.



Step 5

Install flat shelf supports and insert shelves



Step 6

Install door pulls.

