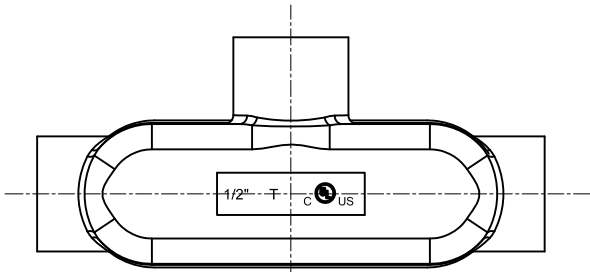
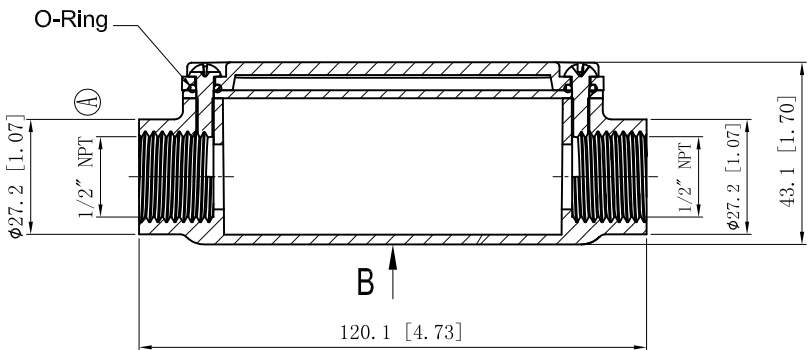


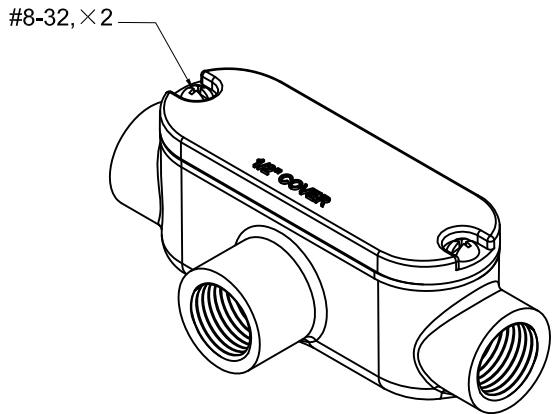
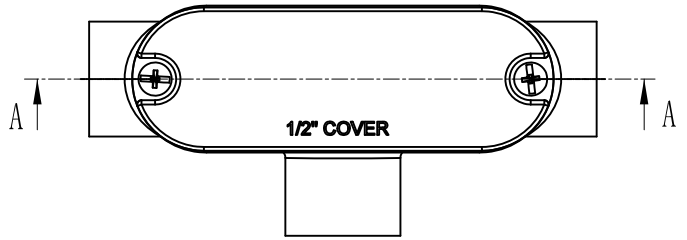
SIDES	BOTTOM
2 PCS 8-32×1/2 Screws Installed	
2 PCS 3.55 X 1.8G (GB34521-92) O-Ring	
Material: Aluminum - Powder Coating Silver Grey	



VIEW B



CUTAWAY VIEW A-A



DESCRIPTION
TRADE REFERENCE TERMS

STANDARD PACKING
10/40 PCS

This data sheet is for reference only .GARVIN INDUSTRIES reserves the right to make changes to the design without prior notice.

TITLE			REV
"LT" ALUMINUM CONDUIT BODY			
SIZE	DWG NO.	LT50	A
A4		DATA SHEET	