

**AXOR Citterio**  
**Thermostatic Trim HighFlow with Lever Handle**  
Finishes : **brushed nickel** Part no. : **39711821**

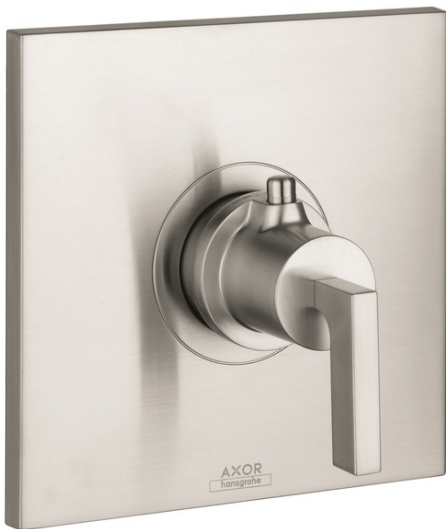


## Description

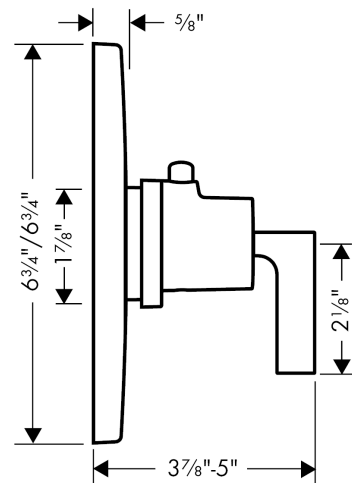
### Features

- Flow: 13.0 GPM (49.2 L/Min)
- Thermostatic cartridge
- Anti-scald 100° safety stop

## Product image



## Scale drawing

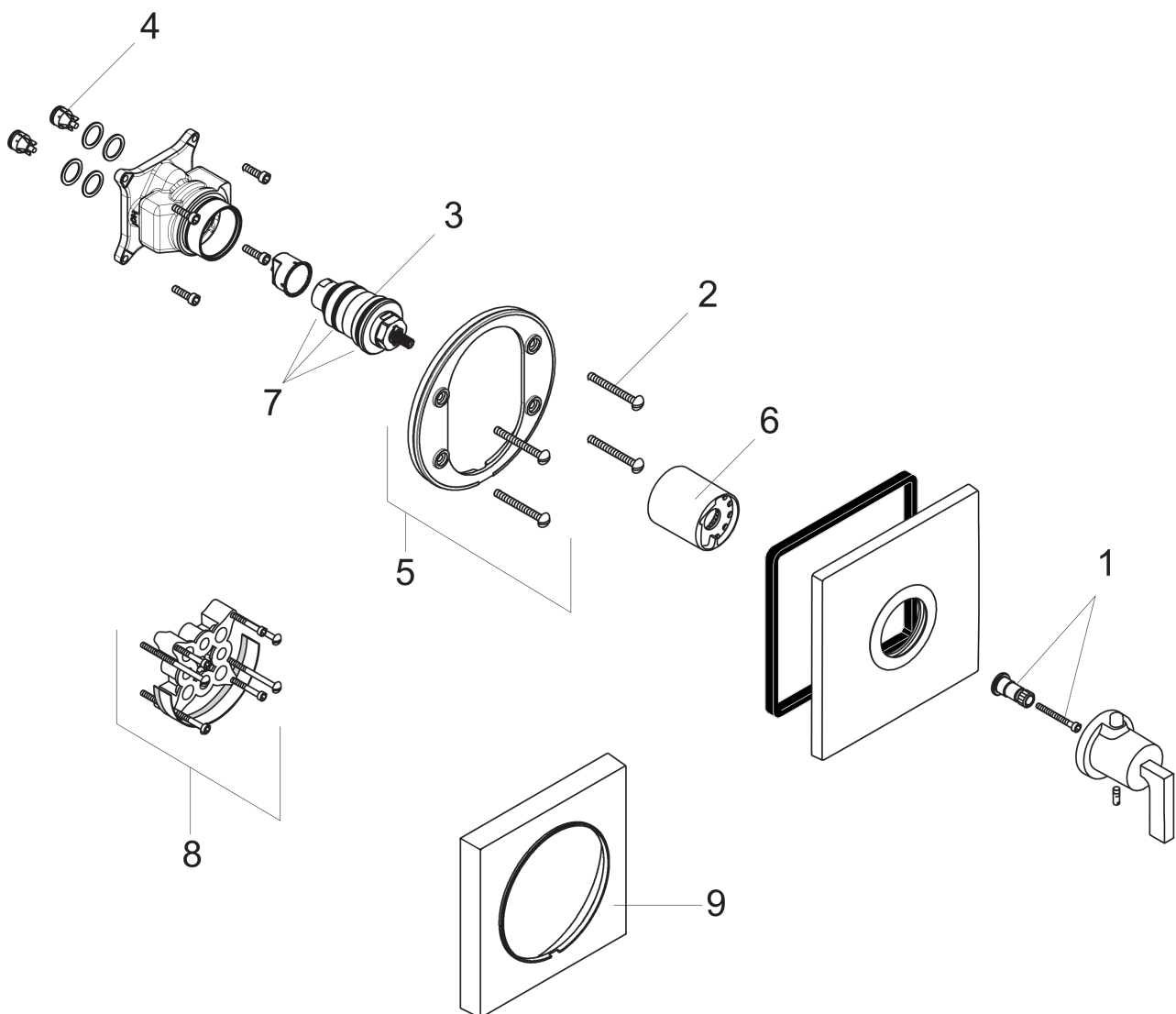


**AXOR Citterio**  
**Thermostatic Trim HighFlow with Lever Handle**  
Finishes : **brushed nickel**    Part no. : **39711821**



## Exploded drawing

Year of production: >06/11



**AXOR Citterio**  
**Thermostatic Trim HighFlow with Lever Handle**  
 Finishes : **brushed nickel** Part no. : **39711821**



## Spare parts list

Year of production: >06/11

Pos.	Description	Part no.	PC	PU
1	adapter for handle	96435000	0	1
2	set of fixing screws	96454000	0	1
3	thermostat cartridge	96633000	0	1
4	set of non return valves DW 15	97350000	0	1
5	holder for escutcheon	98793000	0	1
6	sleeve	97439820	0	1
7	sealing set	96636000	0	1
8	extension 25 mm	13595000	0	1
9	extension 22 mm	97407820	0	1