


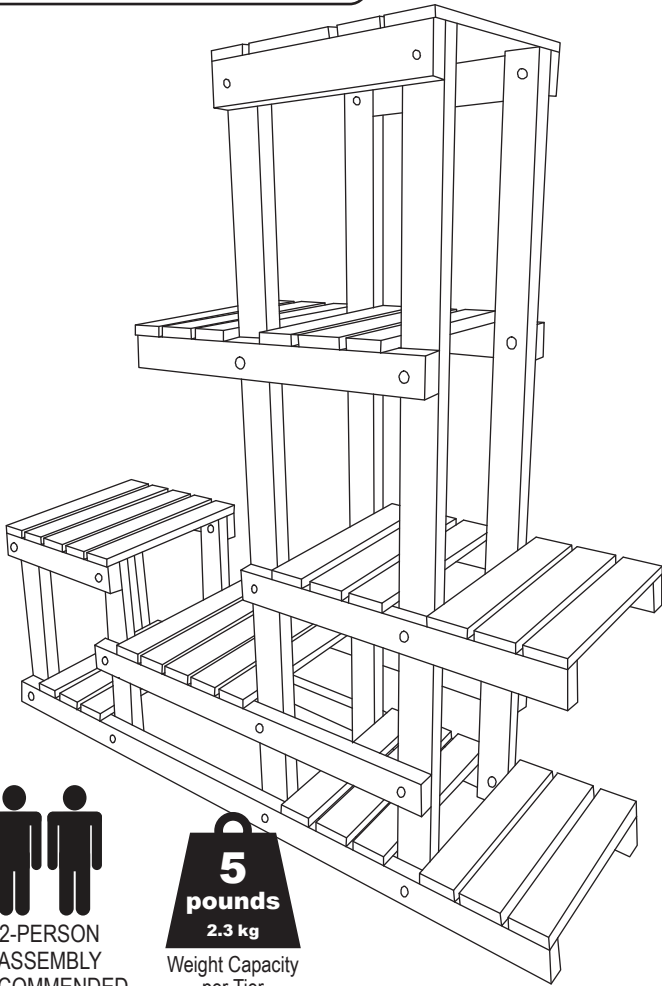
MULTI-TIER PLANT STAND

LAM-639

Review all assembly and care information before using this product. Save this manual for future reference.
Assemble components on a soft, clean surface to avoid damaging the finish.



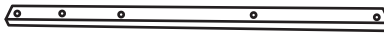


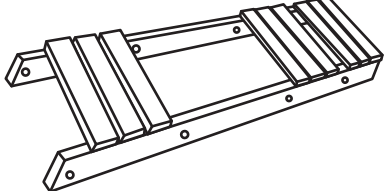
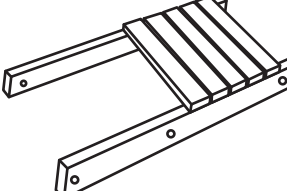
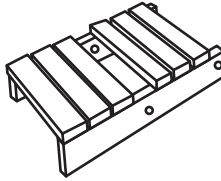
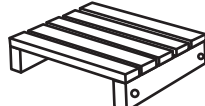

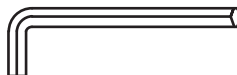
Inspect packaging to ensure all parts are accounted for before disposing of packing materials.
 Save the packing slip.




2-PERSON
ASSEMBLY
RECOMMENDED



5
pounds
2.3 kg
Weight Capacity
per Tier

No.	PARTS	QTY.
A	 5-Hole Shelf Support	4
B1	 3-Hole Shelf Support	2
B2	 2-Hole Shelf Support	2
C	 Bottom Shelf	1
D	 Single Shelf	1
E	 Double Shelf	2
F	 Top Shelf	2
G	 JCBC M6x40mm Bolt	30
H	 Hex Key	1

WARNING

CHOKING HAZARD — This item contains small parts that can be swallowed. Keep children and pets away during assembly.

WARNING:

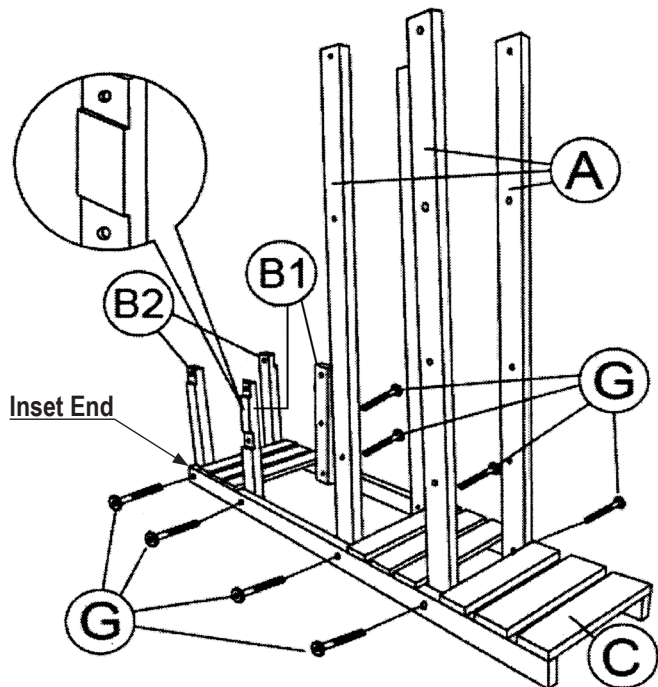
Manufacturer and seller expressly disclaim any and all liability from personal injury, property damage or loss, whether direct or indirect, or incidental, resulting from the incorrect attachment, improper use, inadequate maintenance, or neglect of this product.

ASSEMBLY

Read carefully and understand assembly before beginning.

Do not fully tighten any bolt all until all components have been loosely assembled.

IMPORTANT: The shelf supports install on the inside of all shelves.



STEP 1

A: 4 B1: 2 B2: 2 G: 8

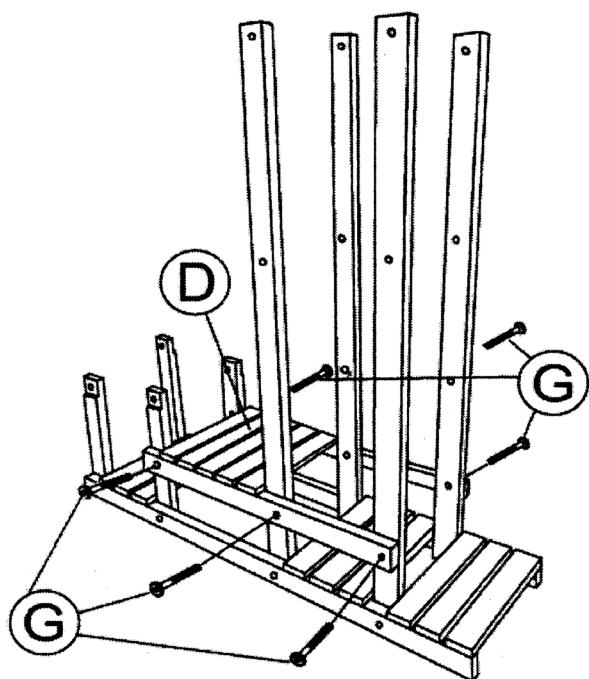
Lay Bottom Shelf (C) on the ground with the slats facing upwards, as shown.

Locate the Inset End of Bottom Shelf (C) (see diagram).

Connect both 2-Hole Shelf Supports (B2) to the inside of the inset ends by hand-tightening two M6x40mm Bolts (G).

Connect both 3-Hole Shelf Supports (B1) to the inside edge of Bottom Shelf (C), as shown, by hand-tightening two M6x40mm Bolts (G).

Ensuring the closely-spaced holes are at the bottom, connect each 5-Hole Shelf Support (A) to the inside edge of the bottom shelf by hand-tightening four M6x40mm Bolts (G).

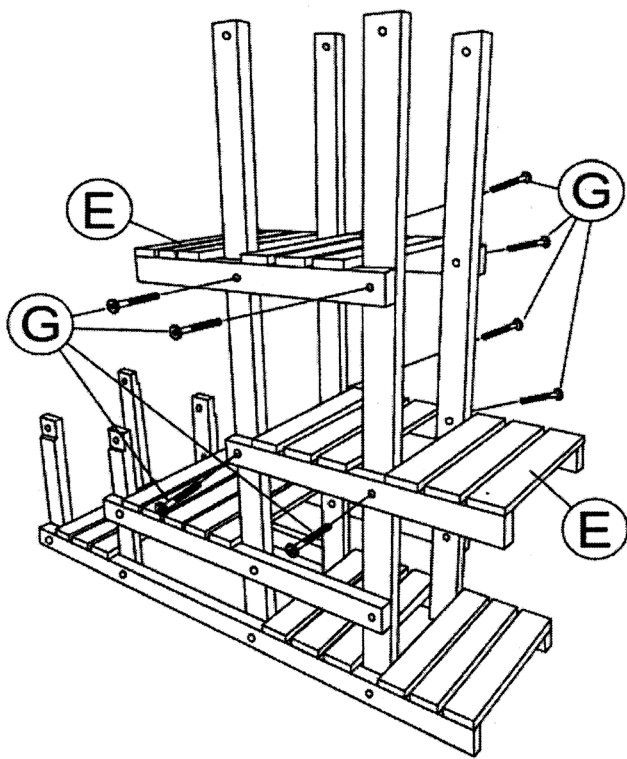


STEP 2

D: 1 G: 6

Place Single Shelf (D) over the 5-hole and 3-hole shelf supports, as shown.

Secure the shelf to the shelf supports by hand-tightening six M6x40mm Bolts (G).

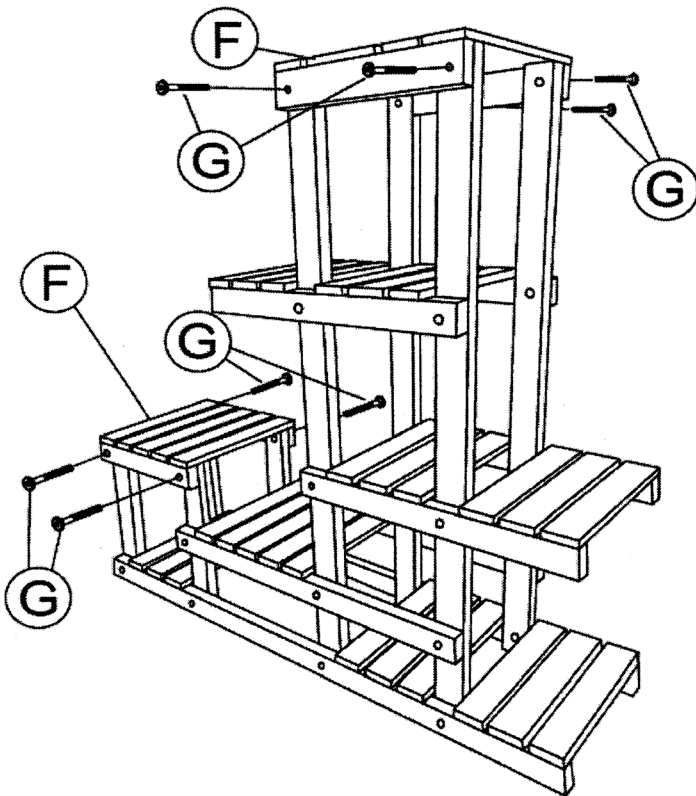


STEP 3

E: 2 G: 8

With the flat edge facing outward, slide the first Double Shelf (E) over the 5-hole shelf supports and secure by hand-tightening four M6x40mm Bolts (G).

With the flat edge facing inward, slide the second Double Shelf (E) over the 5-hole shelf supports and secure by hand-tightening four M6x40mm Bolts (G).



STEP 4

F: 2 G: 8

Place the first Top Shelf (F) over the 5-hole shelf supports and secure by hand-tightening four M6x40mm Bolts (G).

Place the second Top Shelf (F) over the 2-hole and 3-hole shelf supports and secure by hand-tightening four M6x40mm Bolts (G).

STEP 5 (NOT SHOWN)

H: 1

Gently tighten all bolts using Hex Key (H).

! WARNING:

Manufacturer and seller expressly disclaim any and all liability from personal injury, property damage or loss, whether direct or indirect, or incidental, resulting from the incorrect attachment, improper use, inadequate maintenance, or neglect of this product.

Care & Maintenance

INSPECT: Periodically check assembly points and tighten fittings as necessary.

PROTECT: Ensure there is a barrier, such as saucers or water trays, between planters and the wood. Runoff from over-watering could stain the wood.

EXPOSURE: Over time, sunlight and weather elements may change the color of natural wood. Avoid leaving wooden furniture in the rain or high-humidity climates as wood can expand and contract with humidity changes; you may need to tighten fittings periodically. If this item is not used for extended periods, we recommend covering or storing it indoors.

WINTER CARE & STORAGE: Protect this item from ice and snow. Store in a dry, indoor location. Covering the unit while in storage will help prevent dust buildup.

MAINTENANCE: This item was treated with teak oil at the factory. To maintain the appearance, apply a suitable penetrating Wood, Teak or Linseed Oil (not included) yearly, or when the wood looks particularly dry. Clean the unit and bring into a warm, indoors location. Allow the unit to thoroughly dry before applying oil; drying may take several days. Only apply oil to wooden surfaces. Use a soft cloth or soft brush and carefully apply oil as directed by the wood oil manufacturer.

WARNING: THE ONE-YEAR WARRANTY DOES NOT COVER DAMAGES OR DEFECTS CAUSED BY THE APPLICATION OF CHEMICAL TREATMENTS, PROTECTIVE COATINGS, TOUCH-UP PAINT, OR CLEANING PRODUCTS.

Cleaning

Do not use harsh chemicals or abrasive materials to clean the furniture.



HAND-WASH ONLY



DO NOT USE BLEACH



DO NOT USE A PRESSURE WASHER

Identify the direction of the woodgrain. Following the direction of the woodgrain, use a soft cloth or a soft-bristled brush, like a paintbrush, to remove loose dust, dirt and debris.

SAFETY STATEMENTS & WARNINGS

- Do not sit, stand, or climb on any part of this unit.
- Do not exceed the weight capacity of the unit.
- Do not put hot items on or near furniture.
- Keep furniture a safe distance from heat sources such as fire pits, patio heaters, and grills.
- Do not use harsh chemicals or abrasive materials to clean this unit.
- This product is for residential use only; institutional or commercial use will automatically void the product warranty.

Any modification to the product or failure to follow recommended care will void the product warranty.

If you experience issues with assembly or the product was damaged during shipping, please contact our customer service team through one of the methods mentioned at the top of page 1.

Please have the item number and order information ready to expedite response time.

WARNING:

Manufacturer and seller expressly disclaim any and all liability from personal injury, property damage or loss, whether direct or indirect, or incidental, resulting from the incorrect attachment, improper use, inadequate maintenance, or neglect of this product.