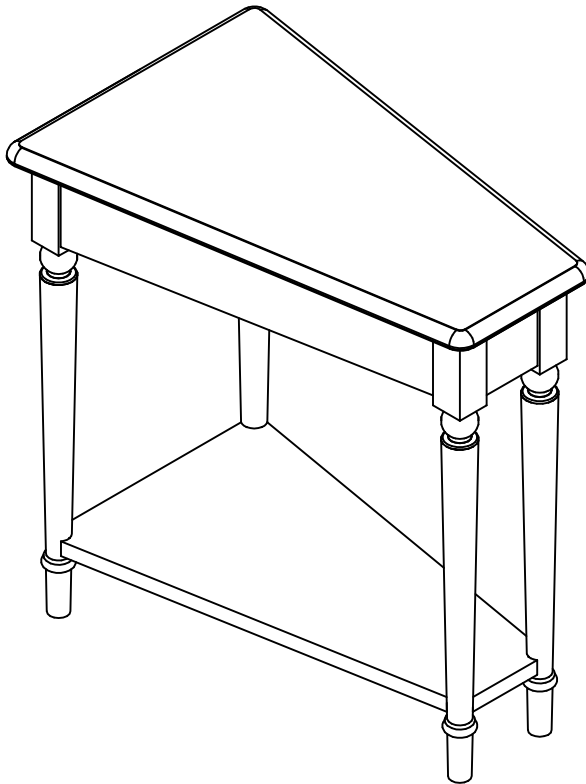









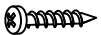


Thank you for purchasing Leick Furniture Products
Contact customer service for comments or concerns

Sheboygan, WI 920-451-4060 info@leickhome.com  www.leickhome.com 

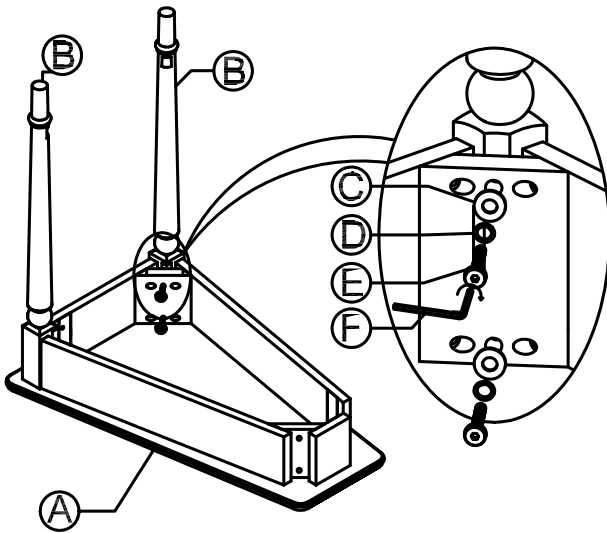
Assembly Instructions, # 20035 Turned Wedge Table



A:Top assembly	
B:(4) Legs	
C:(8) Flat washers	
D:(8) Lock washers	
E:(8) Bolts	
F:Allen wrench	
G:Shelf	
H:(4) Screws	

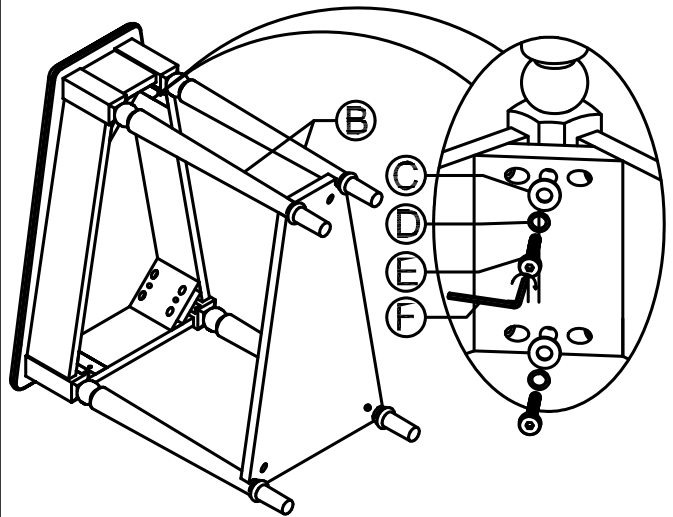
Step 1

Put the top assembly upside down on a soft surface. Fasten two legs with (4) bolts, flat washers and lock washers. Tighten.



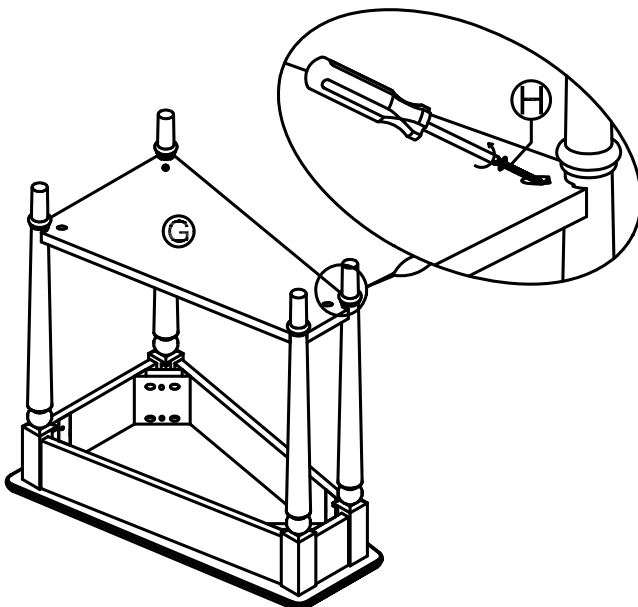
Step 2

Put the table side up as shown on the following sketch, insert the shelf on the leg notches. Fasten the remaining two legs with parts (C & D & E & F).



Step 3

Put the table upside down and fasten shelf with four screws.



Step 4

Place the table upright.

