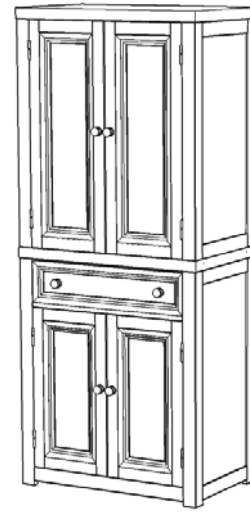


Pantry



IMPORTANT

Carefully remove all the parts from the carton and place them individually on a soft cloth to prevent scratches or other damage.

Carefully and strictly follow these assembly instructions to ensure a completed product as designed.

Do not use power tools above 8 volts to assemble.

Part List



B.
Side Panel
1 pc.



C.
Side Panel
1 pc.



F.
Side Panel
1 pc.



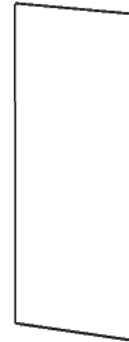
G.
Side Panel
1 pc.



H.
Back Panel
2 pcs.



I.
Upright
1 pc.



J.
Back Panel
2 pcs.



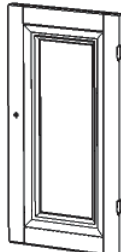
K.
Upright
1 pc.



L.
Rail
1 pc.



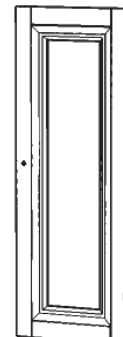
N.
Door
1 pc.



O.
Door
1 pc.



P.
Door
1 pc.



Q.
Door
1 pc.



M.
Rail
3 pcs.

Hardware List



Hex Wrench
1 pc.



M3.5x38
Wood Screw (long)
2 pcs. (+1 extra)



M6x32
Head Cap Bolt
4 pcs. (+1 extra)



Flat Washer
4 pcs. (+1 extra)



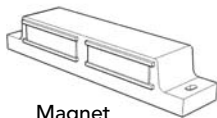
Spring Washer
4 pcs. (+1 extra)



Knob
6 pcs.



Small Hex Wrench
1 pc.



Magnet
2 pcs.



M3x14
Wood Screw
for Magnet
4 pcs. (+1 extra)



M3x15
Wood Screw
8 pcs. (+1 extra)



Adjustable Pin
16 pcs. (+1 extra)



M4x25
Machine Screw
6 pcs.

Carton 20 05420 0691 is also needed for assembly.

Tool(s) required for assembly: Phillips screwdriver, Level, Drill (8 volts or less), 3/8" Drill Bit

Home Styles Customer Service: www.homestyles-furniture.com,
 servicedesk@homestyles-furniture.com, 888-680-7460, 877-831-0319

Assembly Instructions 2/7

IMPORTANT

- Use a soft cloth between these parts and the floor.
- Do not use power tools above 8 volts to assemble.
- Do not tighten all the screws until each part is properly assembled.
- The unit must be level to work properly. Use the included adjustable levelers to level.
- Keep Hex Wrench as the bolts may need to be tightened in the future.

STEP 1

Attach Base (E) to Side Panel (B) with Flat Washers, Spring Washers and Head Cap Bolts. (See Figure 1)

Slide Back Panel (H) into position.

Attach Upright (I) to unit, then slide Back Panel (H) into position.

Attach Rail (M) to unit, then flip Locks. (See Figures 2 and 3)

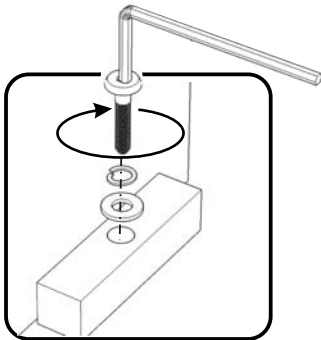
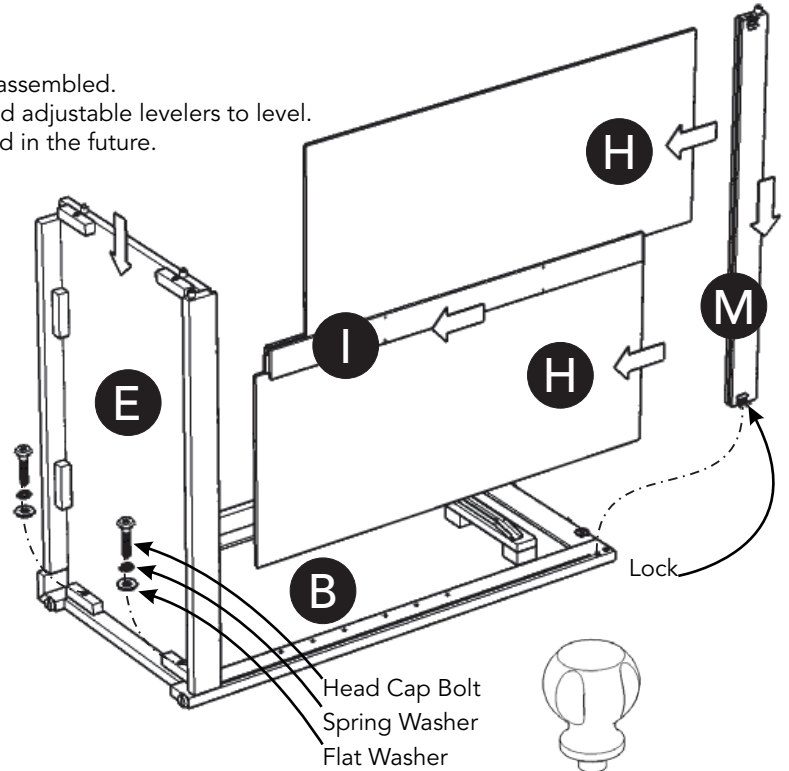


Figure 1

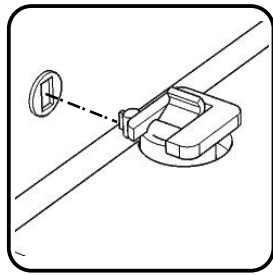


Figure 2

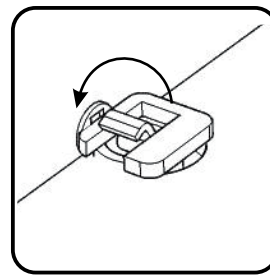


Figure 3

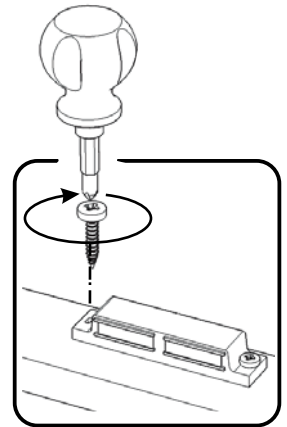
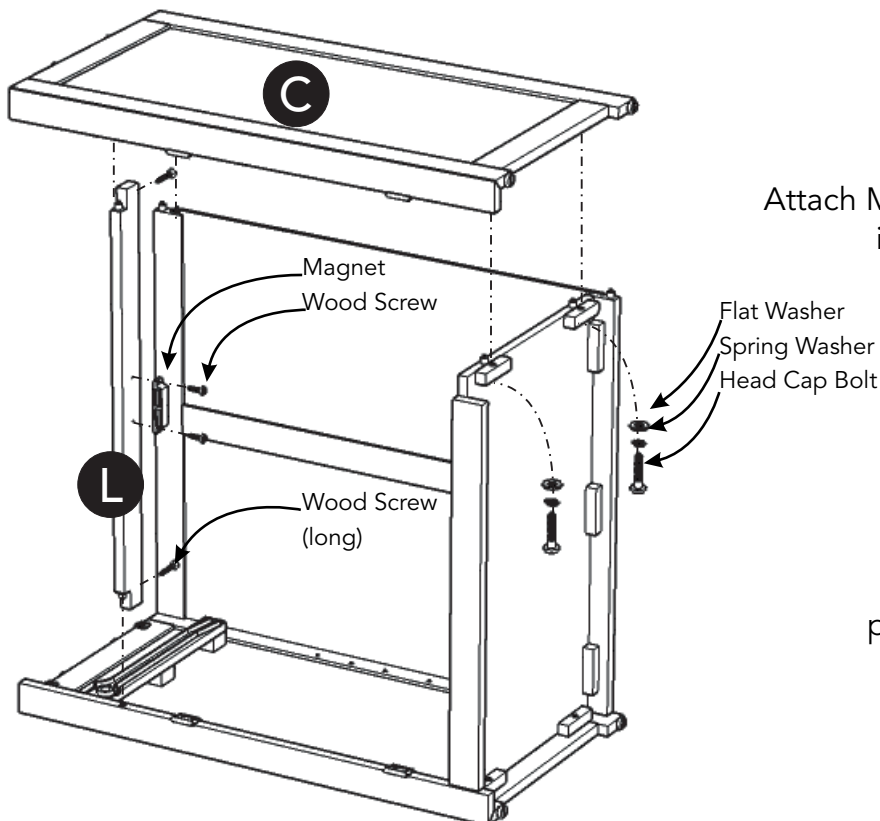


Figure 4



STEP 2

Attach Magnet to Rail (L) with Wood Screws into pre-drilled holes. (See Figure 4)

Attach Rail (J) to unit with Wood Screw (long).

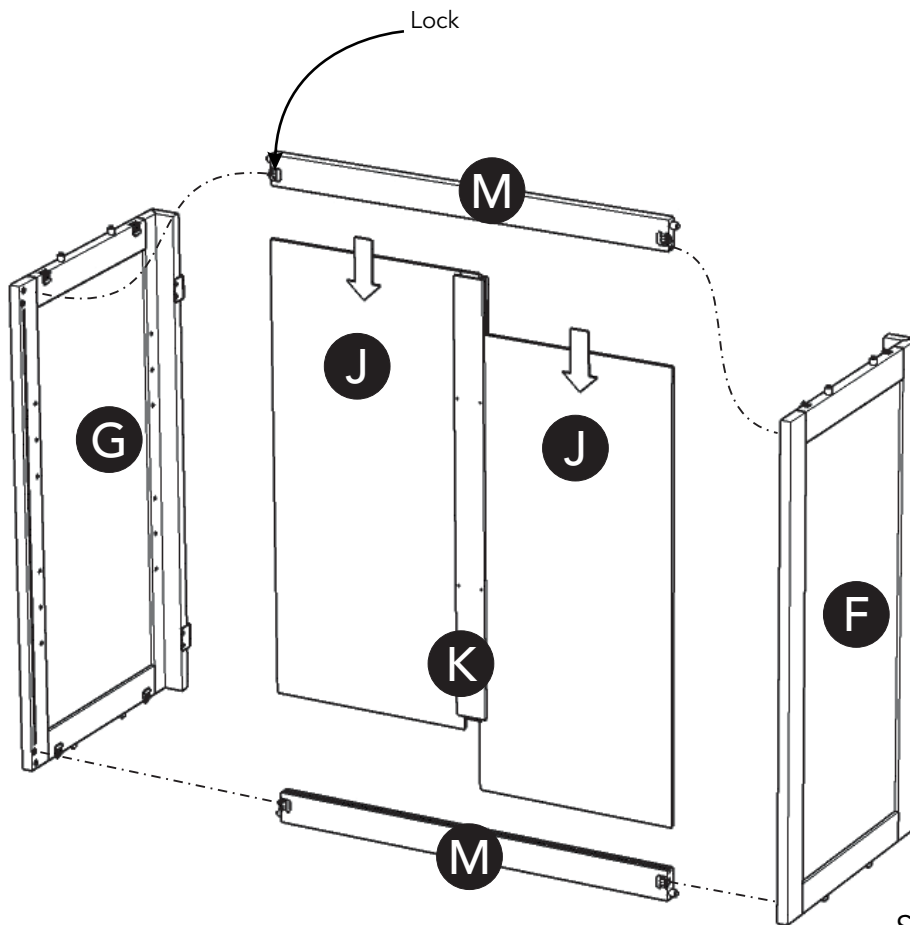
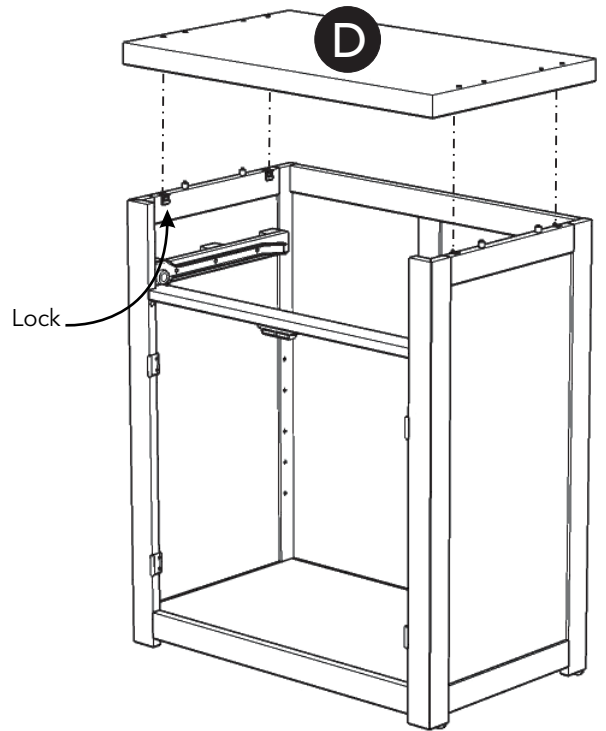
Attach Side Panel (C) to unit with Flat Washers, Spring Washers and Head Cap Bolts, then flip Locks.

Insert Wood Screw (long) in pre-drilled hold in unit, then tighten.

STEP 3

Turn unit to its' upright position.

Attach Middle Panel (D) to unit,
then flip Locks.



STEP 4

Attach Rail (M)
to Side Panel (F),
then flip Locks.

Attach Upright (K) to unit.

Slide Back Panels (J) into position.

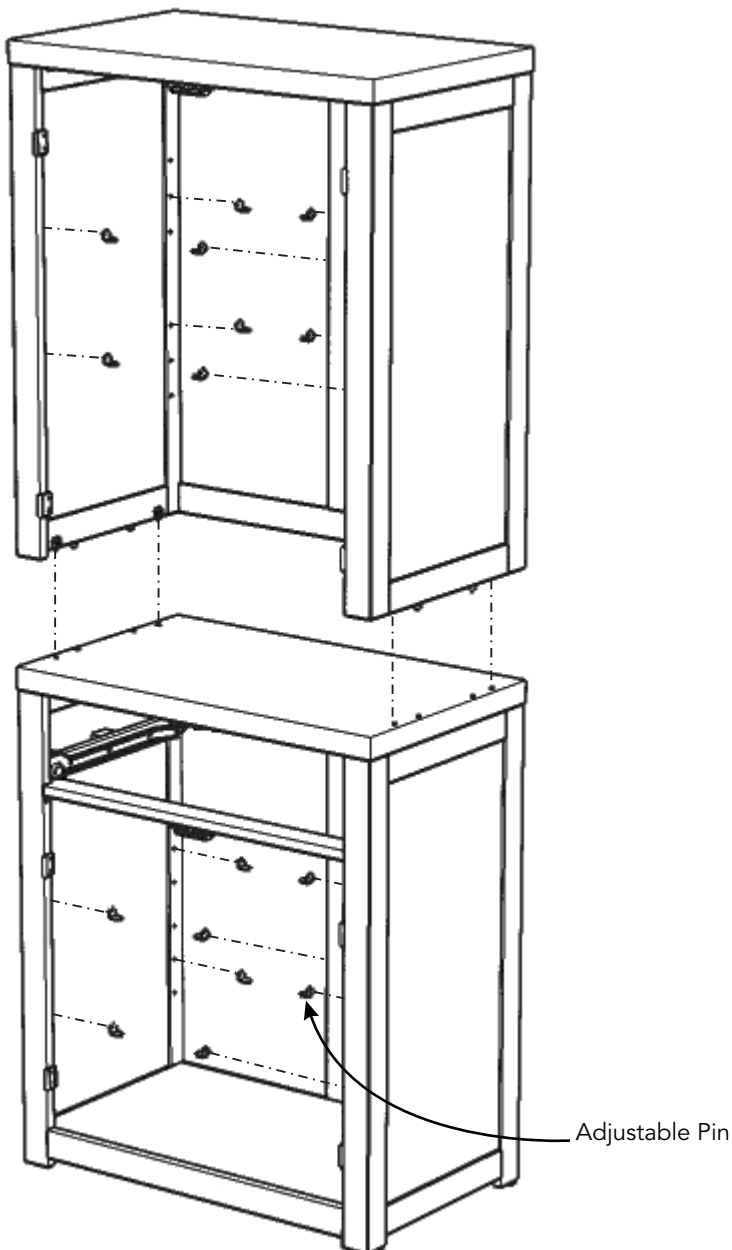
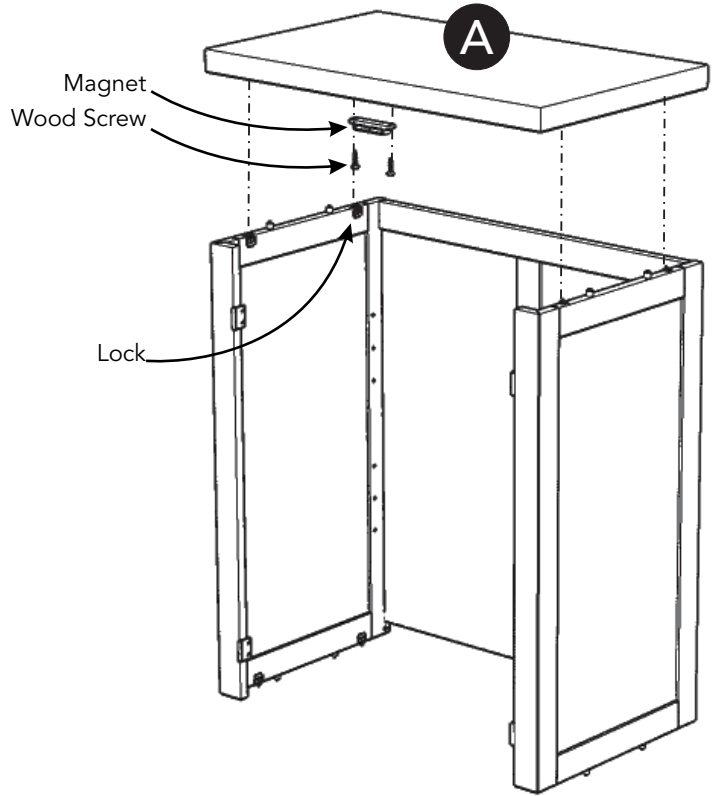
Attach Rail (M) to unit, then flip Lock.

Attach Side Panel (G) to unit, then flip Locks.

STEP 5

Attach Magnet to Top (A) with Wood Screws into pre-drilled holes.

Attach Top (A) to unit from Step 4, then flip Locks.



STEP 6

Attach unit from Step 5 to unit from Step 3, then flip Locks.

Insert Adjustable Pins into side panels at desired level.
(See Figure 5)

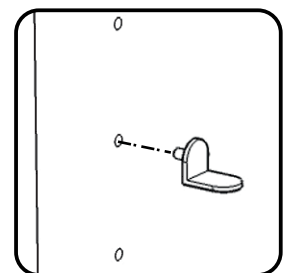
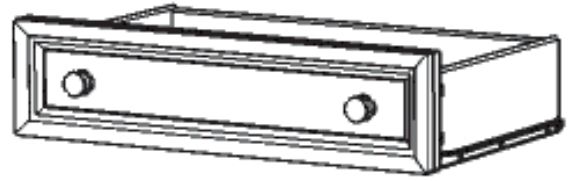


Figure 5

Assembly Instructions 5/7

Drawer (S)



STEP 7

Attach Drawer Sides (S3) and (S4) to Drawer Back (S2), then flip Locks. (See Figures 6 and 7)

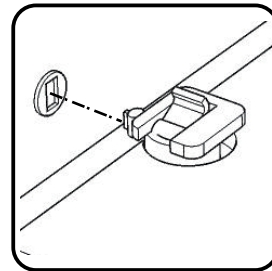
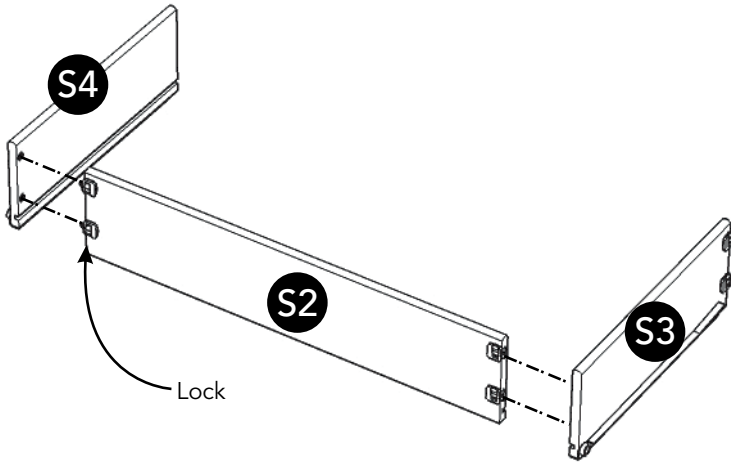


Figure 6

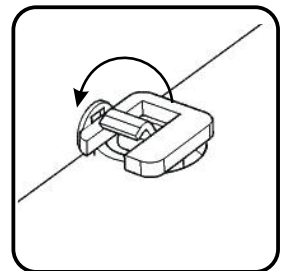
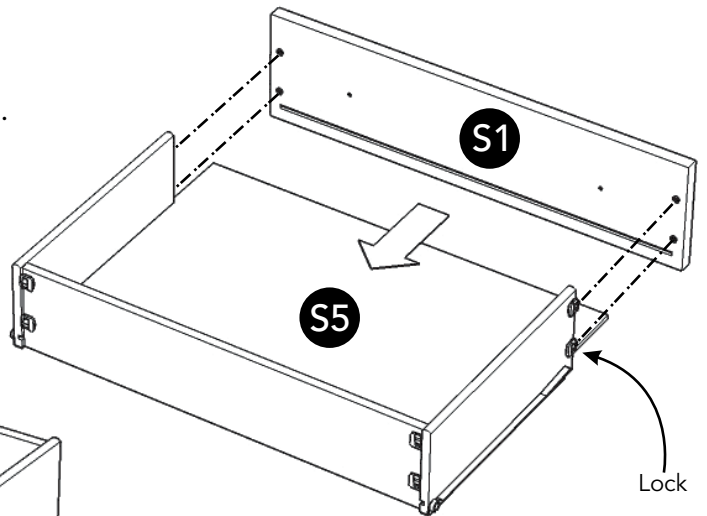
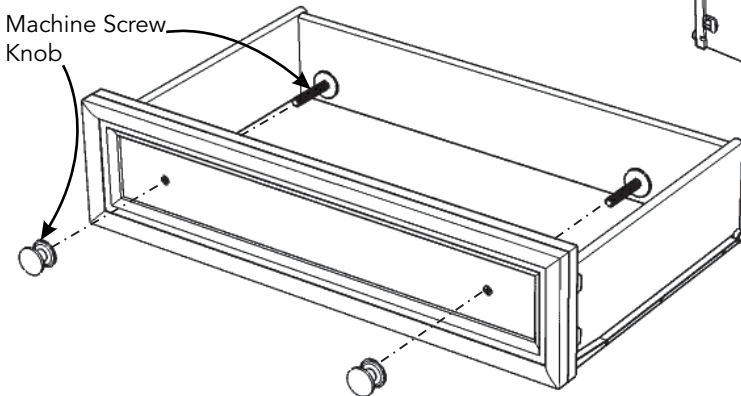


Figure 7

STEP 8

Slide Drawer Bottom (S5) into groove.

Attach Drawer Front (S1) to unit, then flip Locks.



STEP 9

Attach Knobs with Machine Screws.

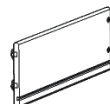
Part List



S1.
Drawer Front
1 pc.



S2.
Drawer Back
1 pc.



S3.
Drawer Side
1 pc.



S4.
Drawer Side
1 pc.



S5.
Drawer Bottom
1 pc.

Assembly Instructions 6/7

STEP 10

Place Shelves (R) into position.

Attach Doors (N), (O), (P) and (Q) by sliding door hinges into side panel hinges. (See Figure 8)

Attach Knobs to Doors with Machine Screws.

Slide Drawer (S) into position.

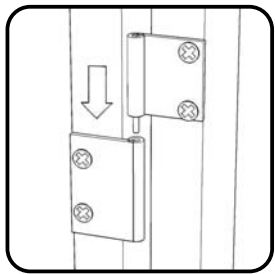
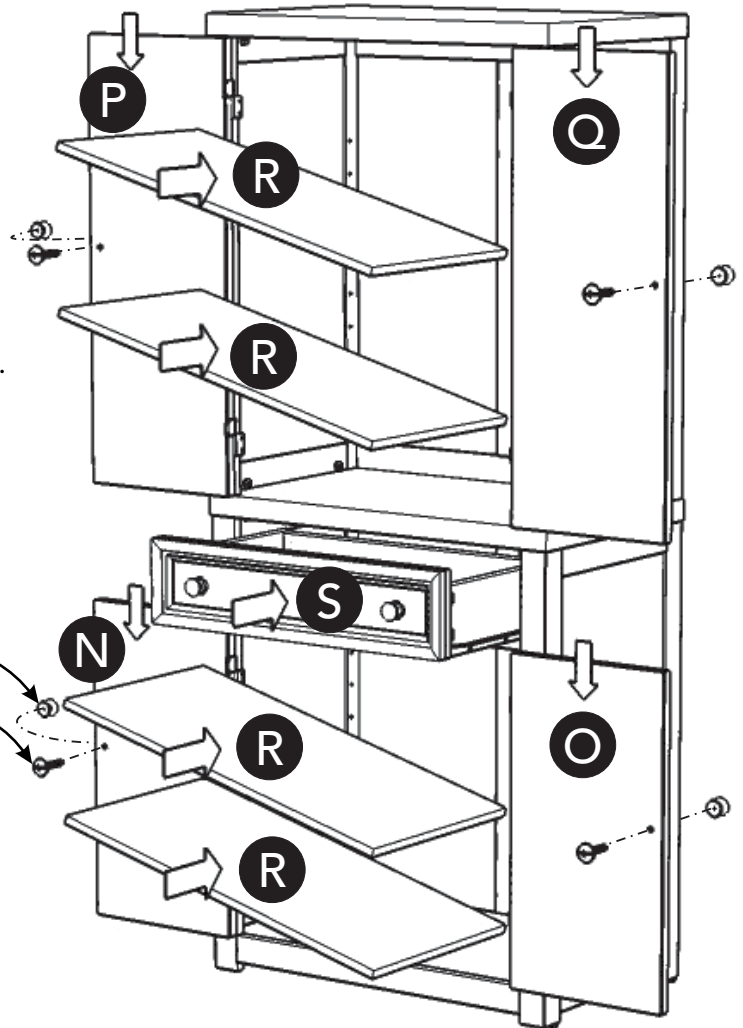
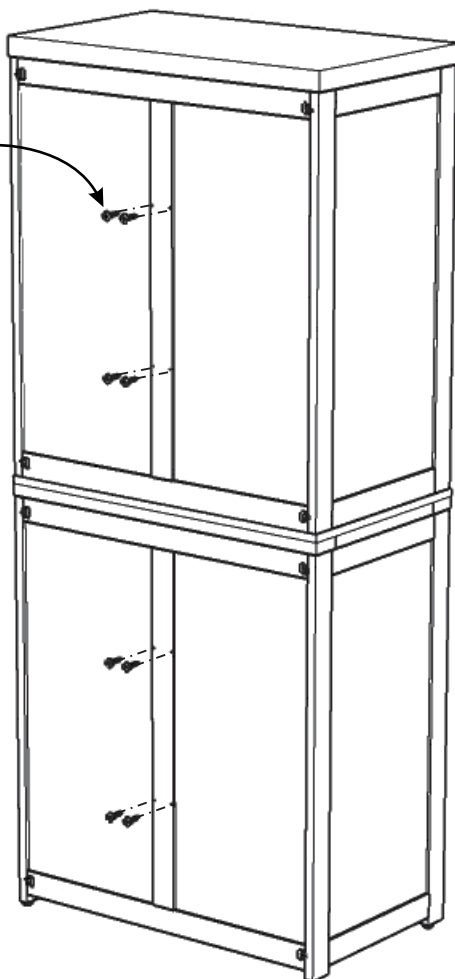


Figure 8

Knob
Machine Screw



Wood Screw



STEP 11

Level unit by adjusting the adjustable levelers on bottom of unit. (See Figure 9)

Insert Wood Screws into pre-drilled holes in unit, then tighten.

Note: Unit must be level before tightening these screws.

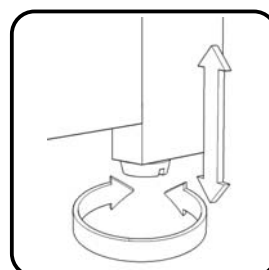


Figure 9

Assembly Instructions 7/7

IMPORTANT

- To help reduce the risk of the unit tipping over, the Tip-over Restraint must be installed following these instructions exactly.

STEP 12

Place unit at desired location.

Drill a 3/8" hole in wall in-line with the pre-drilled hole at top of unit.

Move unit.

Insert Anchor into the wall hole and attach Bracket with Wall Screw.

Attach Bracket at pre-drilled hole at top of unit with Wood Screw.

Move unit back into place.

Slide Tip-over Restraint through Bracket on wall and Bracket on unit.
(See Figure 10)

Put tie end of Tip-over Restraint into lock end of Tip-over Restraint and pull until tight.

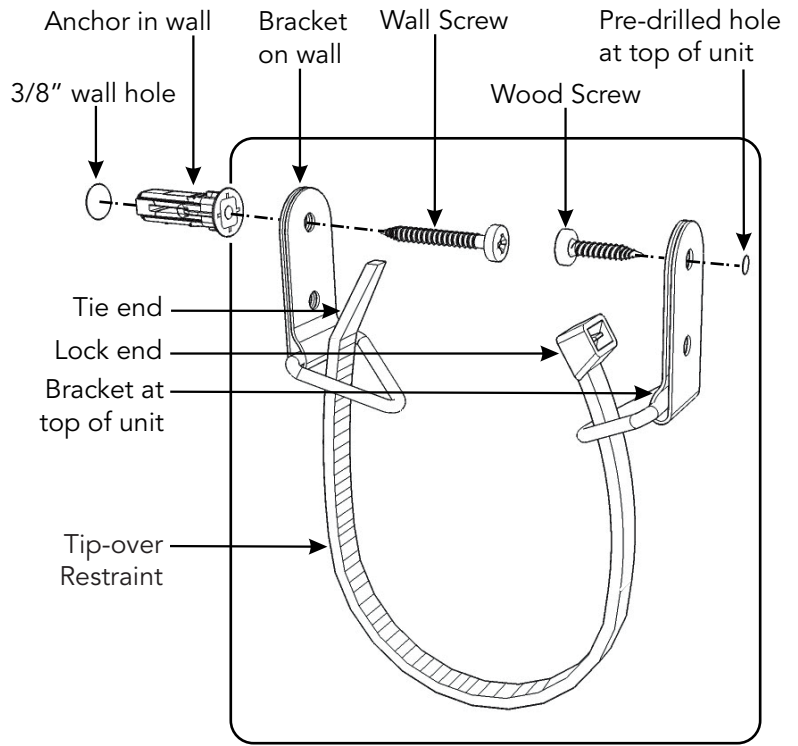
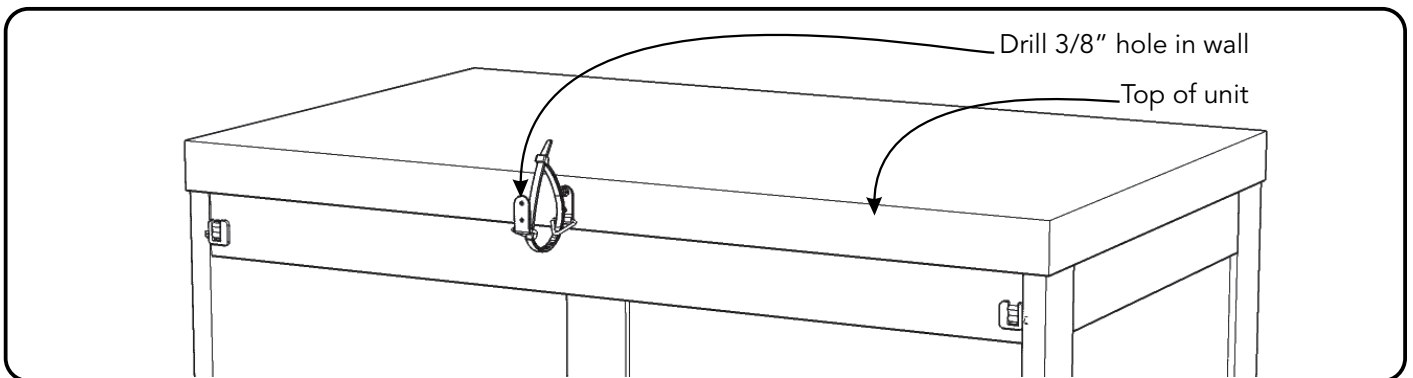
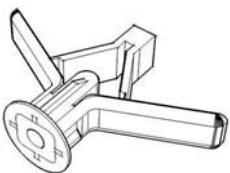


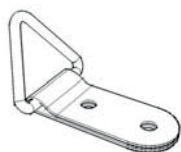
Figure 10



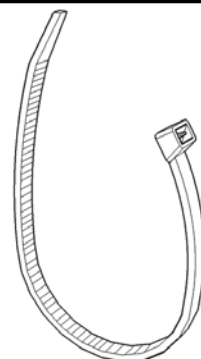
Hardware List



Anchor
1 pc. (+1 extra)



Bracket
2 pcs. (+1 extra)



Tip-over Restraint
1 pc. (+1 extra)



M3.5x40
Wall Screw
1 pc. (+1 extra)



M3.5x16
Wood Screw
1 pc. (+1 extra)

CARE INSTRUCTIONS

NEVER

allow liquids to remain on furniture.
Absorption causes parts to warp
and split and finishes to delaminate.

NEVER

use glass cleaners on
finished furniture. Ammonia
chemically attacks the finish.



Do not use power tools
above 8 volts to assemble.
**PREVENT
CRACKING**



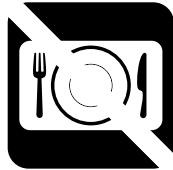
Do not place
in direct sunlight.
**PREVENT
FADING**



Do not write
directly on surface.
**PREVENT
MARKING**



Do not place hot
objects on surface.
**PREVENT
FINISH DAMAGE**



Do not use rubber
based placemats.
**PREVENT
DISCOLORING**



Do not use commercial
waxes and polishes.
**PREVENT
YELLOWING**

CLEAN

with a soft cloth moistened
in lukewarm soap and water.
Buff with a dry clean cloth.



Home Styles will provide replacements free of charge for missing or damaged hardware or parts within 30 days of purchase. Digital images of the defective parts may be required. If the product was not purchased from an authorized retail affiliate, Home Styles is under no obligation to provide replacement parts. Parts are not available for fully assembled items nor are parts available for sale. Replacements for missing or damaged hardware or parts may be requested at:

www.homestyles-furniture.com/customer-service/replacement-parts

Home Styles Customer Service: www.homestyles-furniture.com,
servicedesk@homestyles-furniture.com, 888-680-7460, 877-831-0319