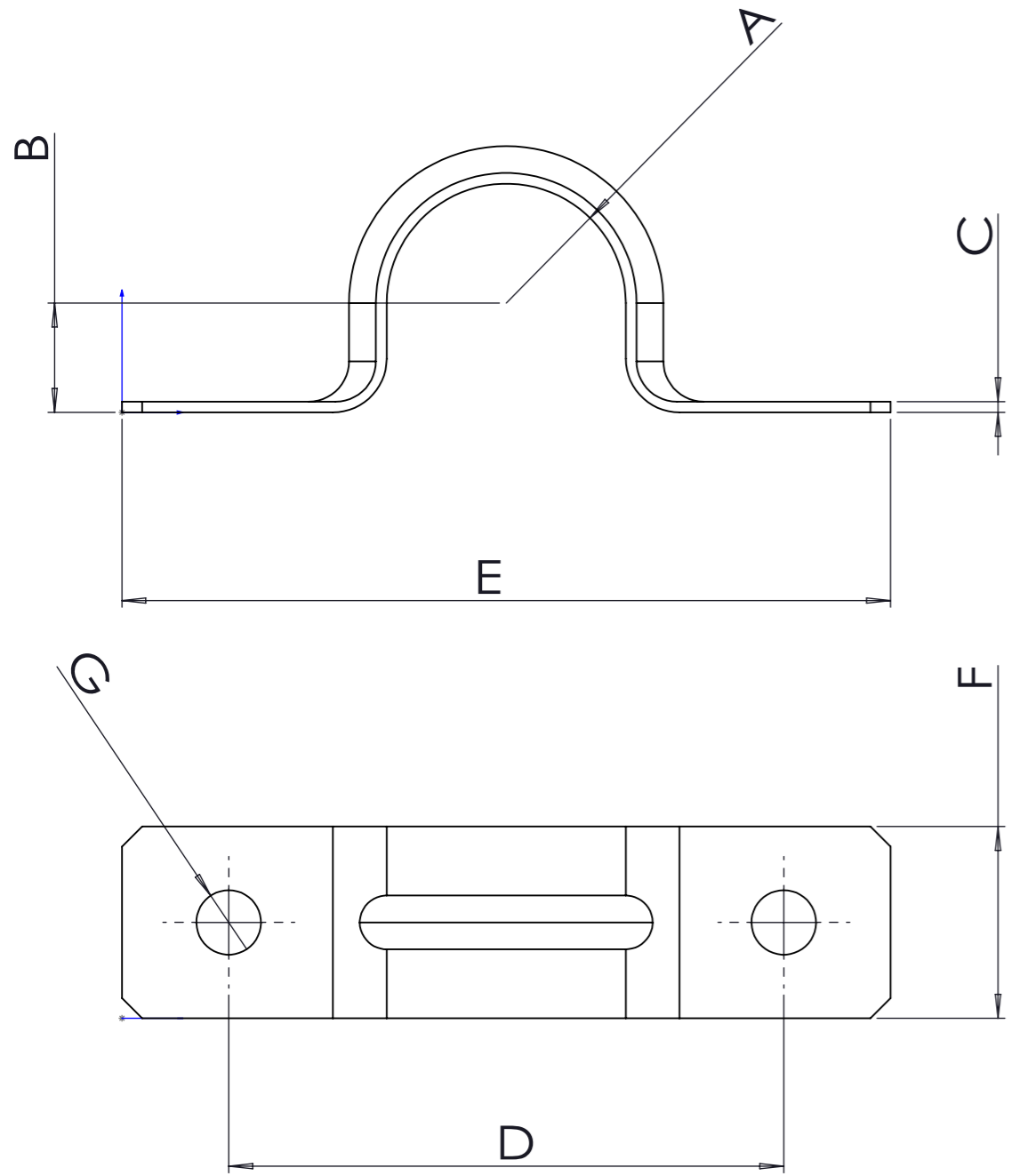


<b>SIDES</b>	<b>BOTTOM</b>
<b>Material: Steel-(C1008-C1018) Galvanized</b>	

PART NO	SIZE	A	B	C	D	E	F	G	STD. PKG.
THS50	1/2"	0.350	0.320	0.031	1.625	2.250	0.562	0.188	50
THS75	3/4"	0.460	0.425	0.031	2.125	2.750	0.612	0.188	50
THS100	1"	0.560	0.550	0.031	2.437	3.000	0.688	0.210	25
THS125	1 1/4"	0.750	0.715	0.043	2.937	3.750	0.750	0.250	25
THS150	1 1/2"	0.870	0.825	0.043	3.500	4.250	0.865	0.250	25
THS200	2"	1.100	1.050	0.055	4.000	4.812	1.000	0.315	25



**This data sheet is for reference only .GARVIN INDUSTRIES reserves the right to make changes to the design without prior notice.**

<b>DESCRIPTION</b>	<b>STANDARD PACKING</b>	<b>GARVIN INDUSTRIES</b>		
		TITLE <b>STEEL TWO-HOLE STRAPS FOR EMT</b>		
<b>TRADE REFERENCE TERMS</b>	SEE ABOVE	SIZE	DWG NO.	REV
		A4	THS50 ~ THS200	