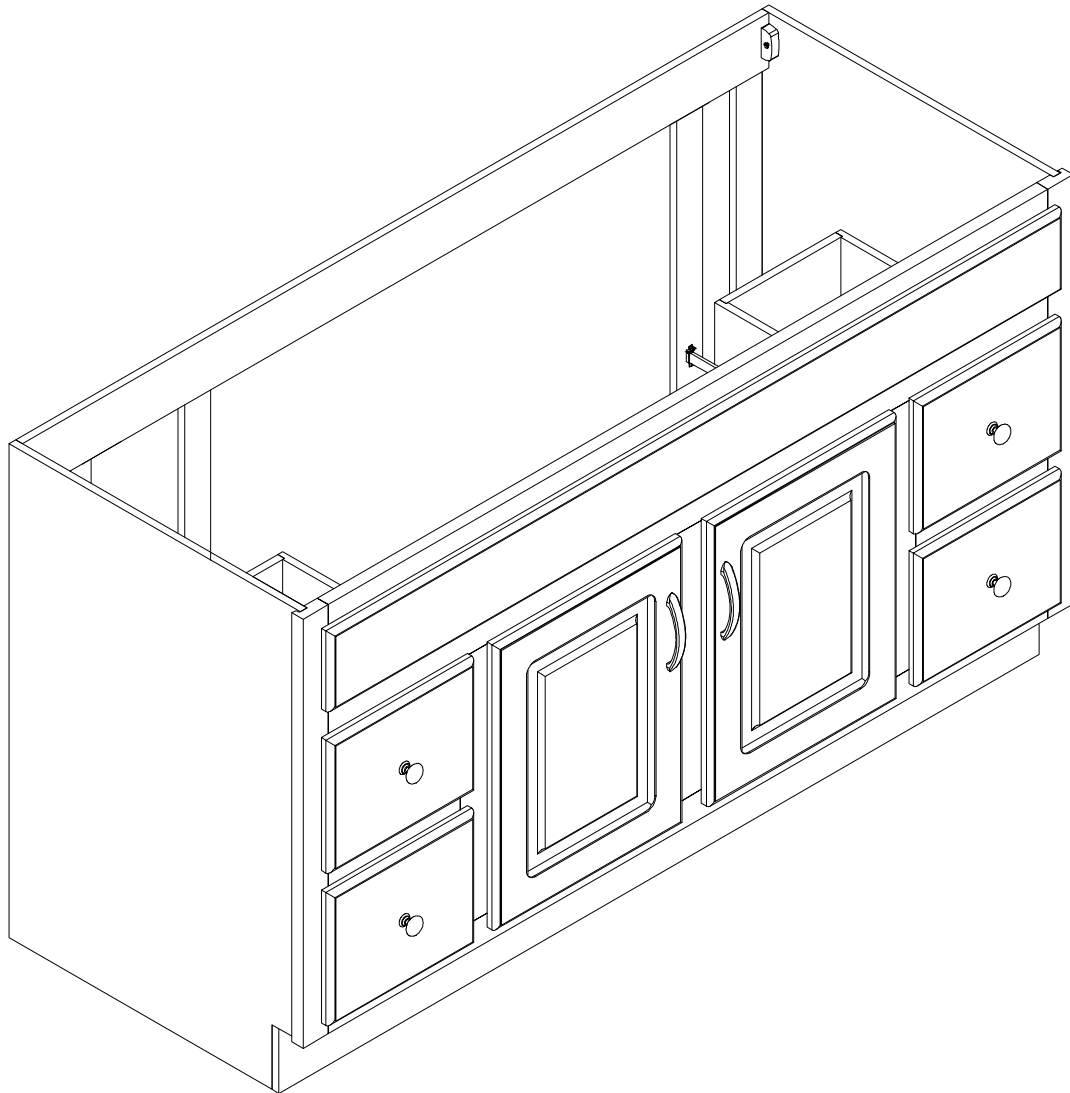




[www.todaysdesignhouse.com](http://www.todaysdesignhouse.com)

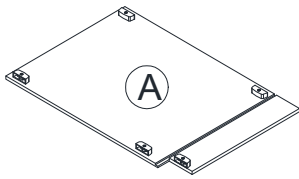


587030

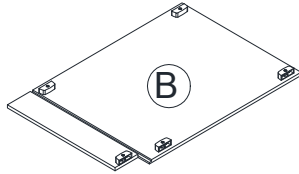
# ASSEMBLY INSTRUCTIONS

DHI Corp. • 5205 W. Donges Bay Rd. • Mequon, WI 53092 • 800.558.8700

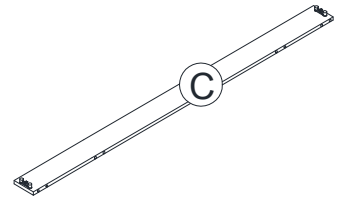
# PARTS LIST:



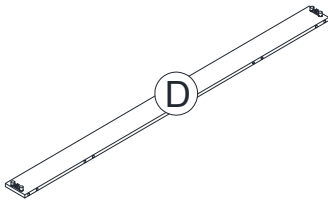
LEFT SIDE PANEL 1PCS



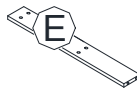
RIGHT SIDE PANEL 1PCS



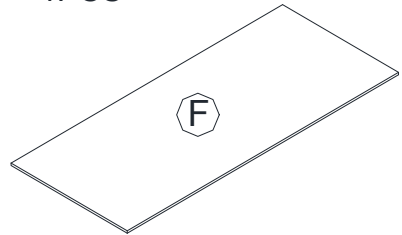
BACK UP CROSS BRACE 1PCS



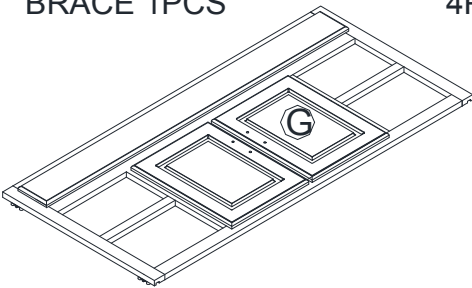
BACK DOWN CROSS BRACE 1PCS



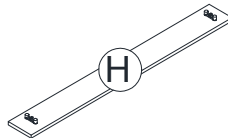
BACK PARTITION PANEL 4PCS



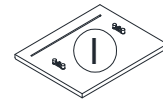
BOTTOM PANEL 1PCS



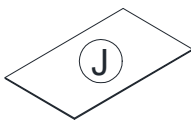
FRONT FRAME 1PCS



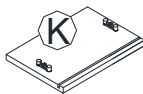
TOE KICK PANEL 1PCS



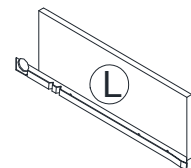
DRAWER FRONT PANEL 4PCS



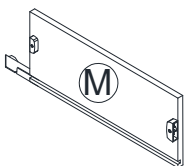
DRAWER BOTTOM PANEL 4PCS



DRAWER BACK PANEL 4PCS



DRAWER LEFT SIDE PANEL 4PCS



DRAWER RIGHT SIDE PANEL 4PCS

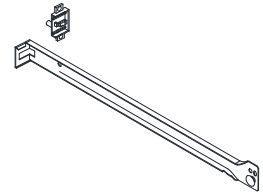
# HARDWARE LIST:



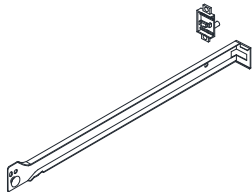
a. WOOD DOWEL 16PCS



b. ROUND HEAD SCREW 16PCS



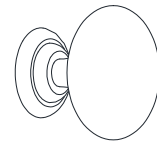
c. RIGHT DRAWER GUIDE 4PCS



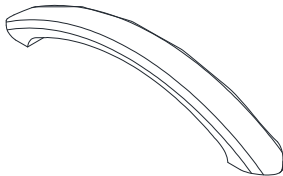
d. LEFT DRAWER GUIDE 4PCS



e. FLAT SCREW 8PCS



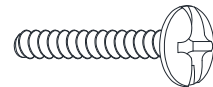
f. KNOB 4PCS



g. HANDLE 2PCS



h. 3/4" L HANDLE BOLT 4PC

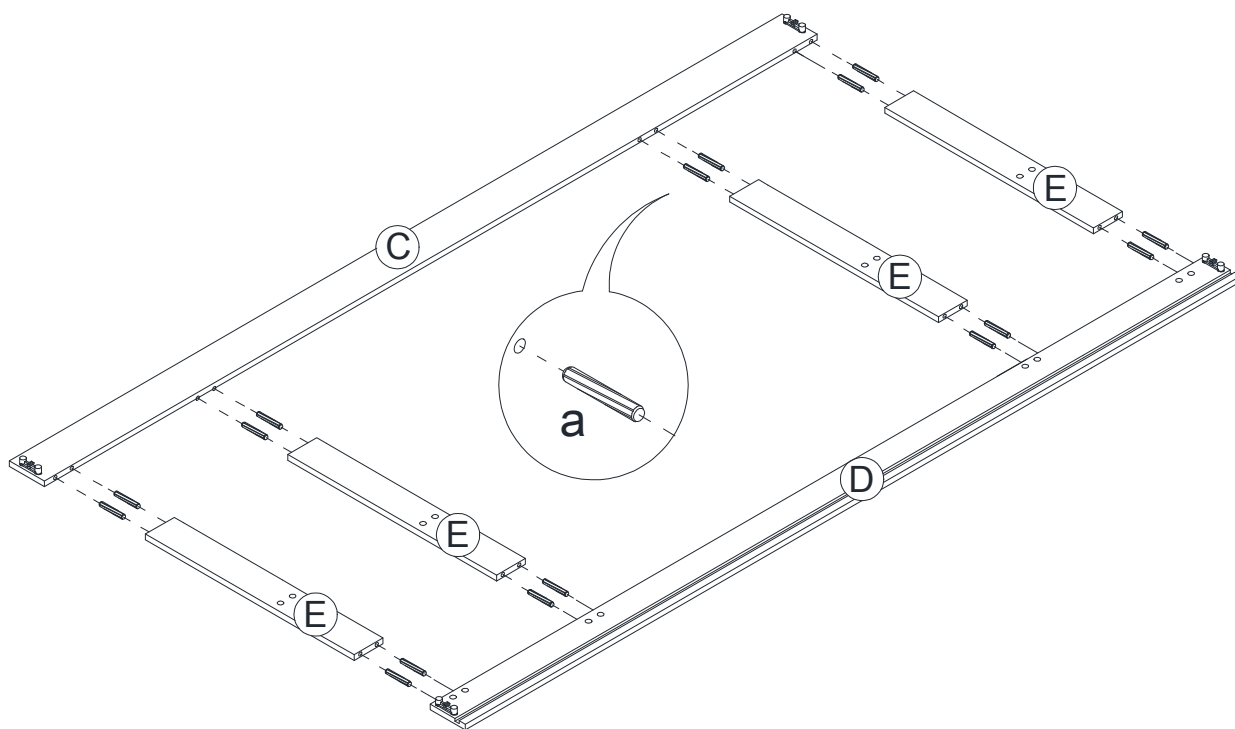


i. 7/8" L HANDLE BOLT 4PC

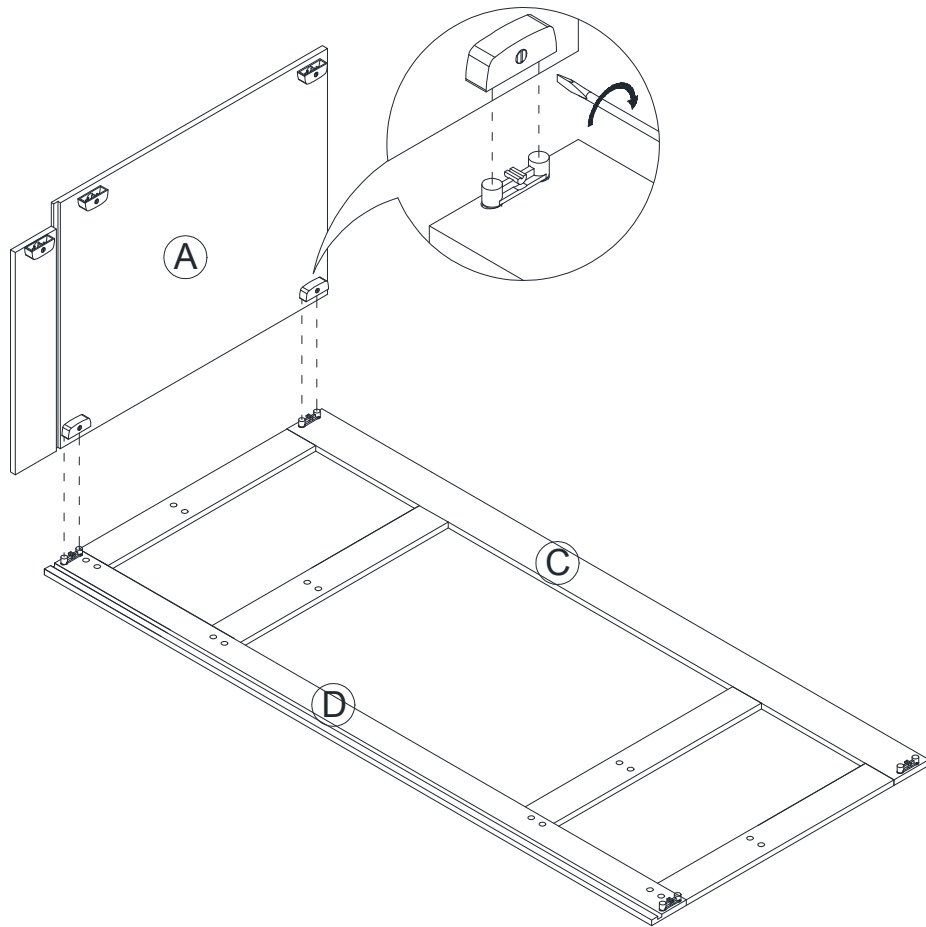


j. 1" L FLAT HEAD SCREW 4PCS

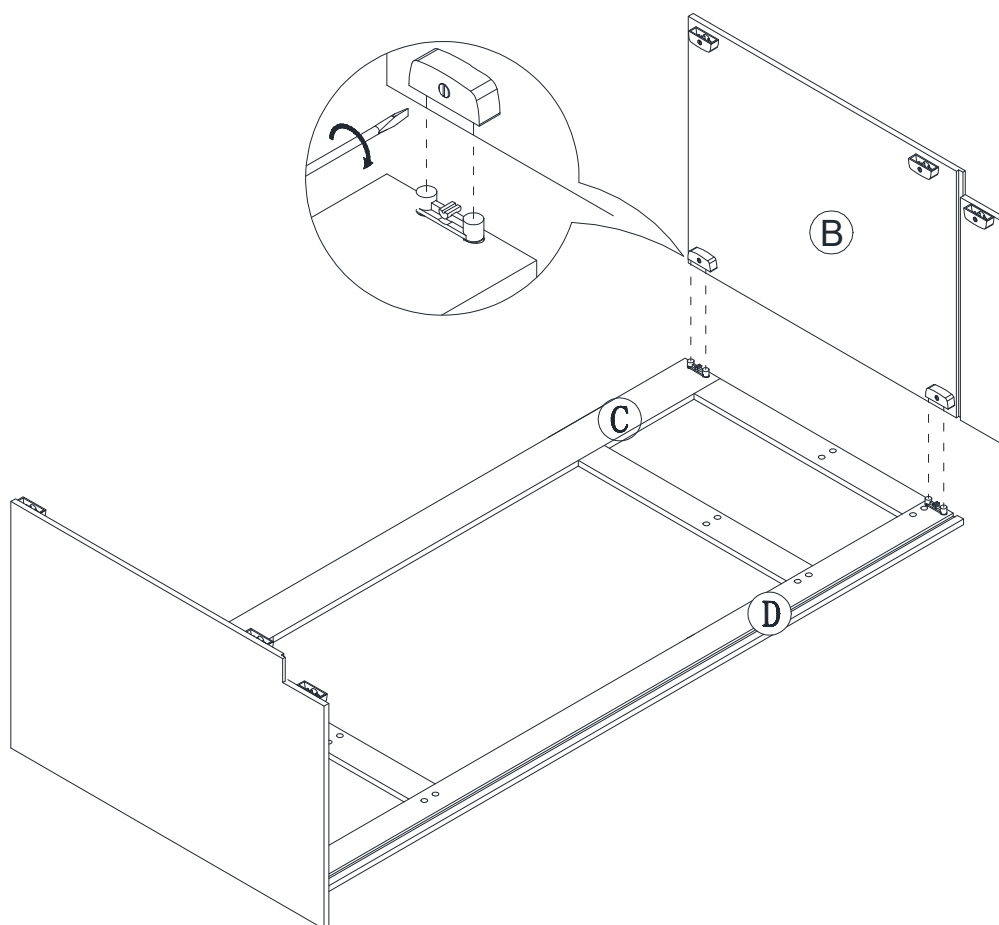
# STEP 1



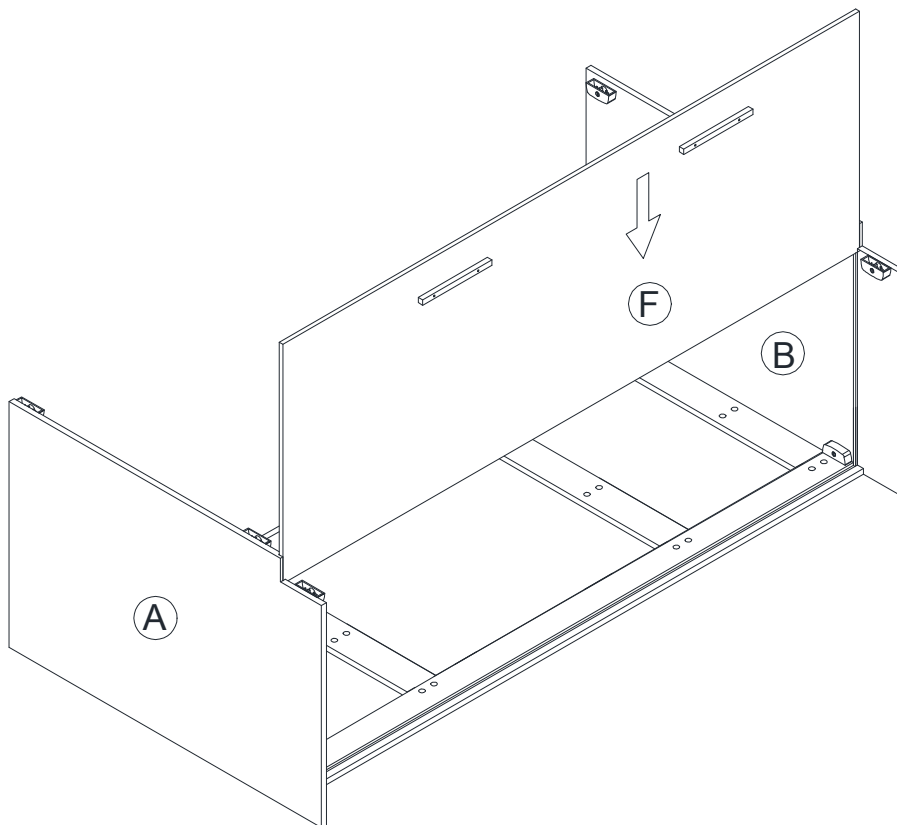
# STEP 2



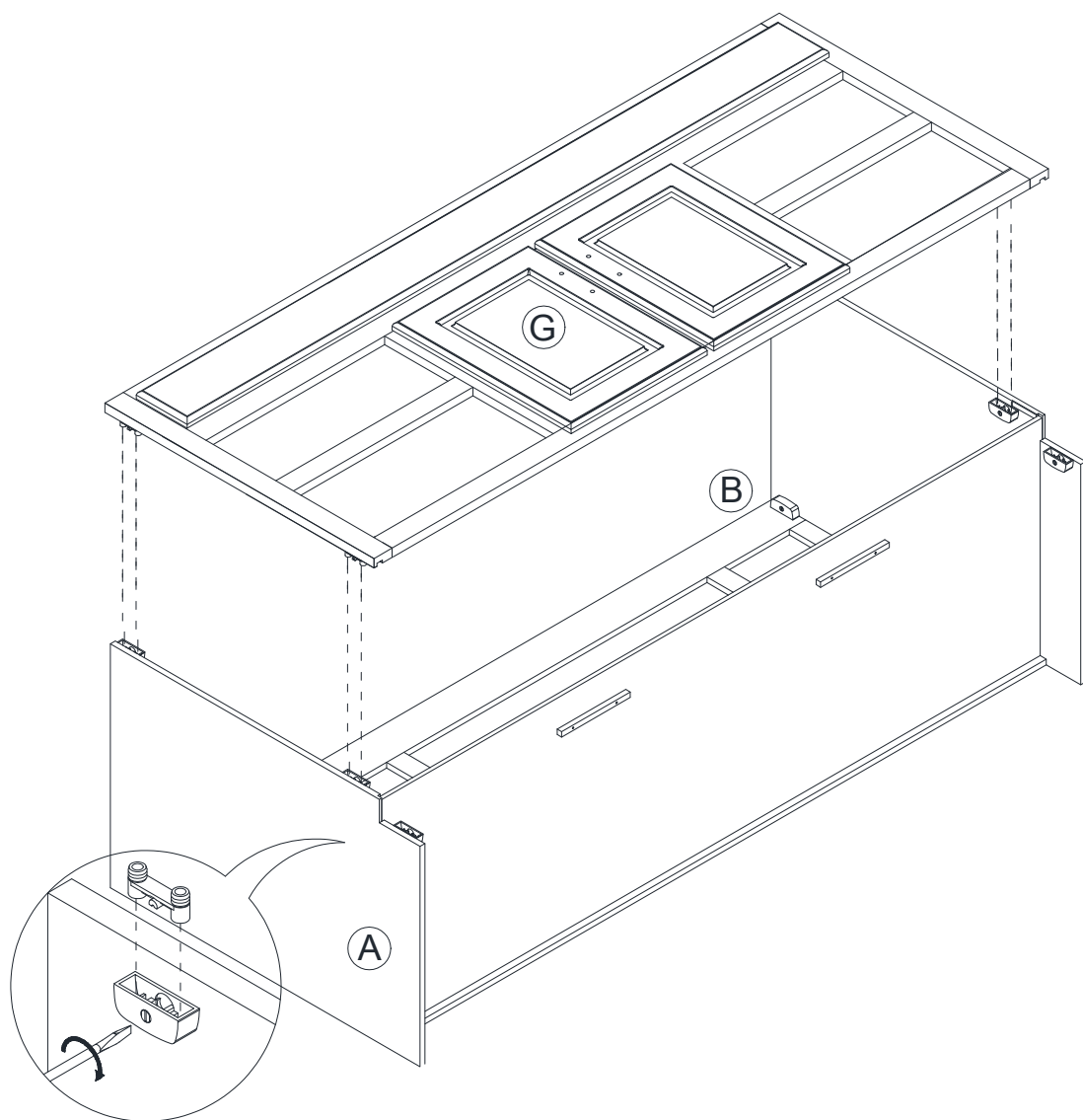
# STEP 3



# STEP 4

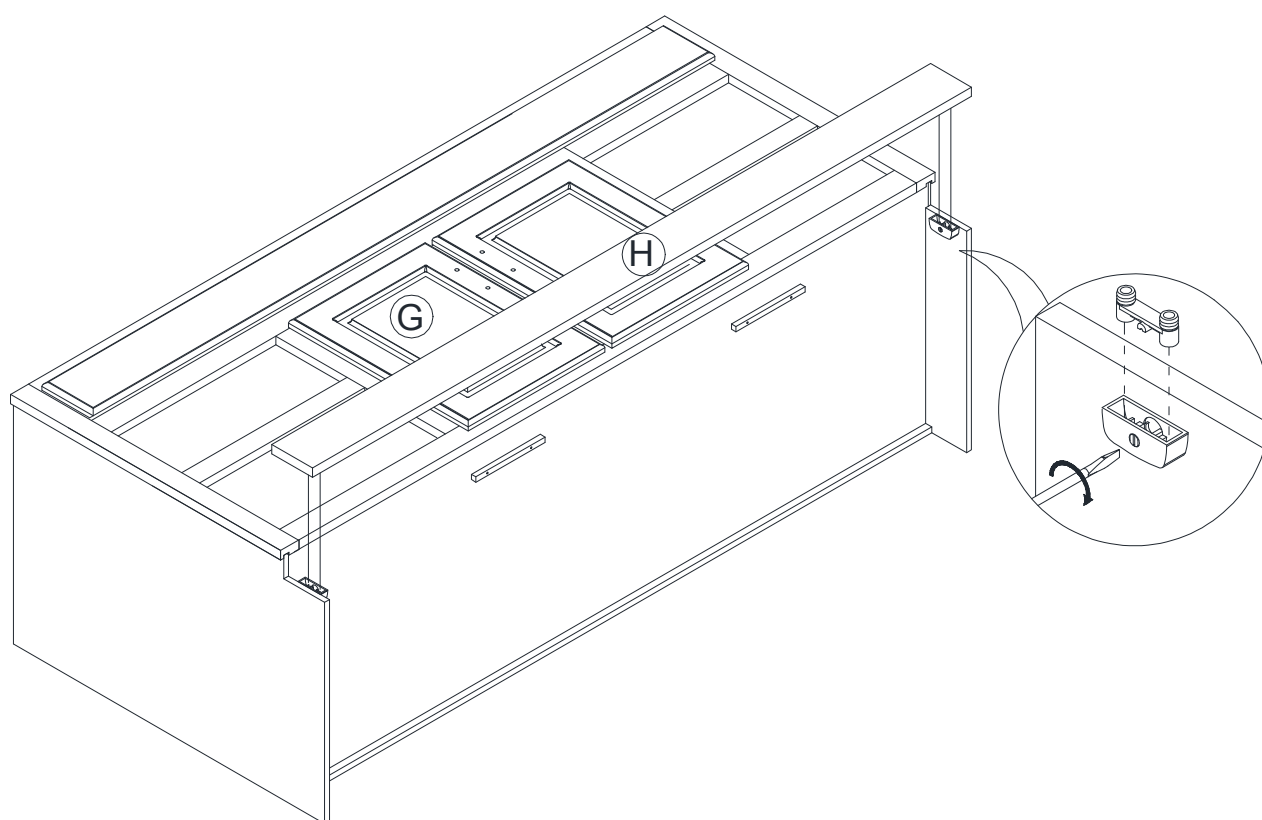


# STEP 5

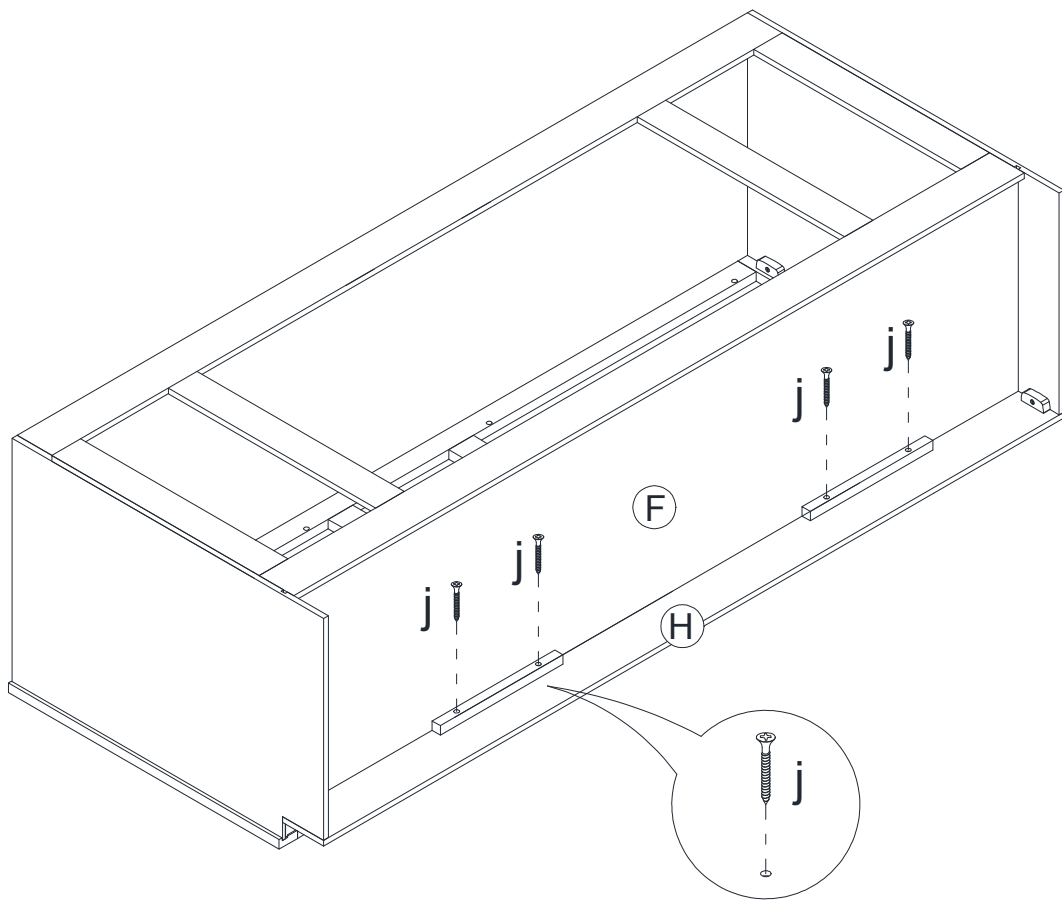




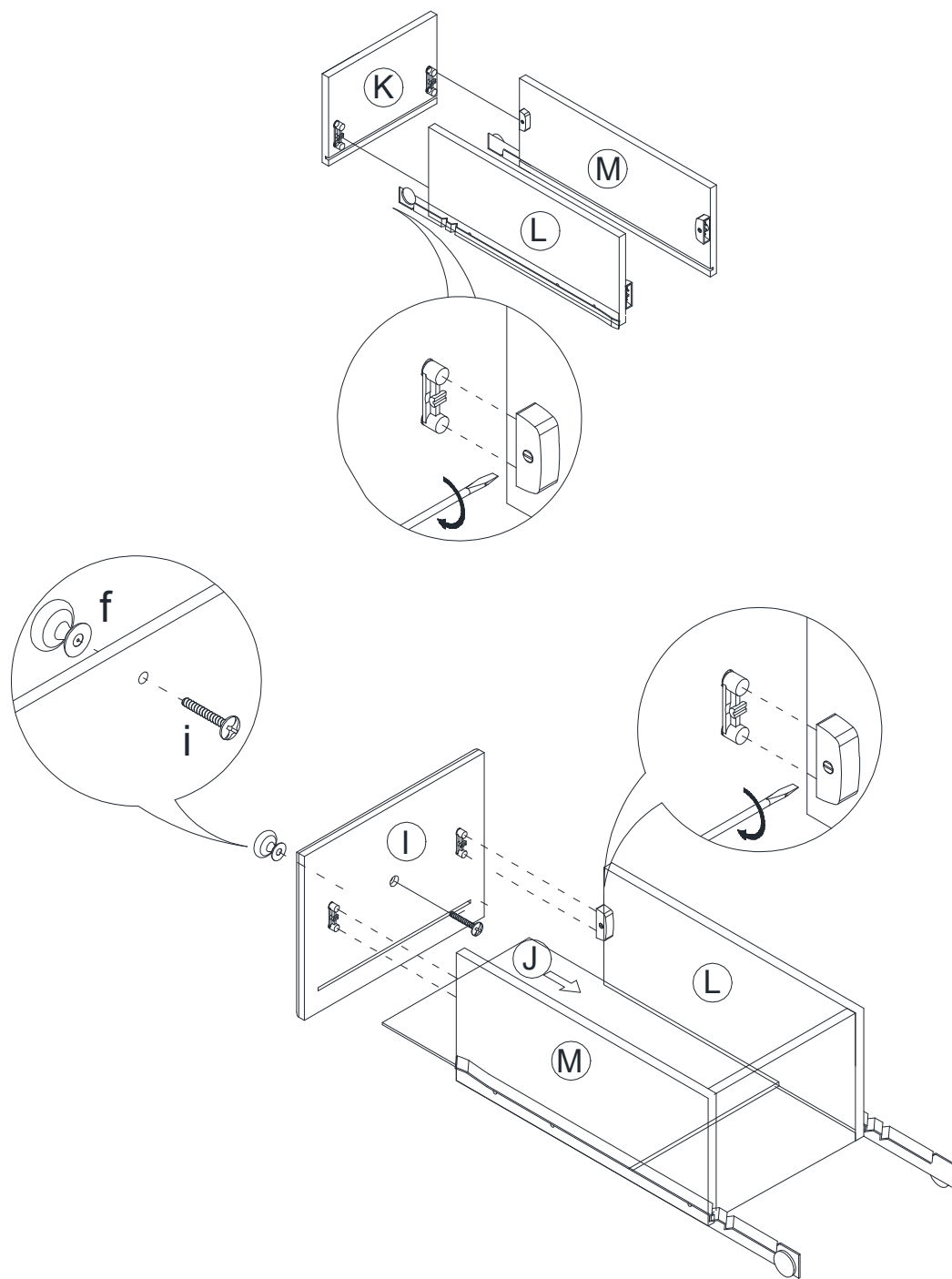
# STEP 6



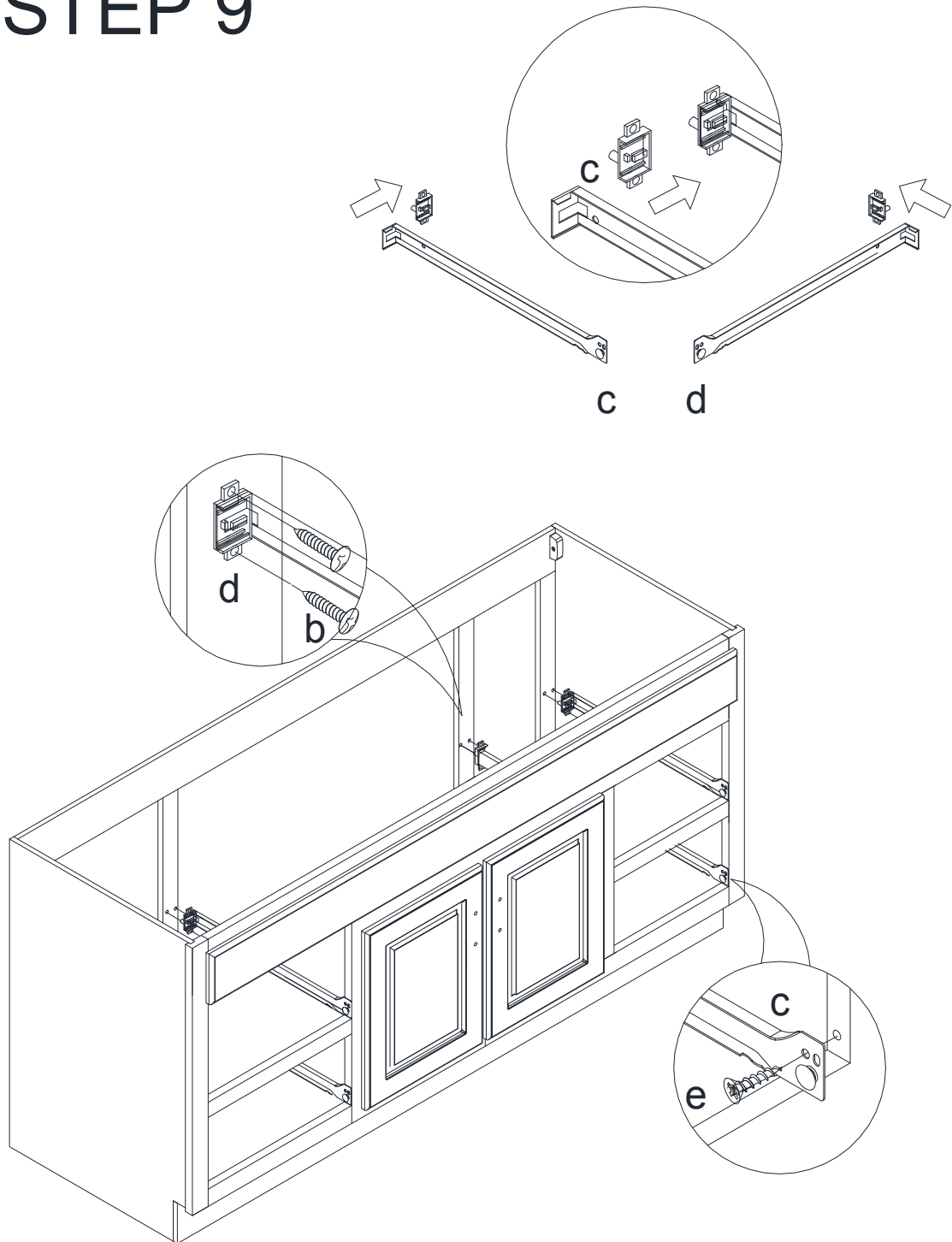
# STEP 7



# STEP 8



# STEP 9



# STEP 10

