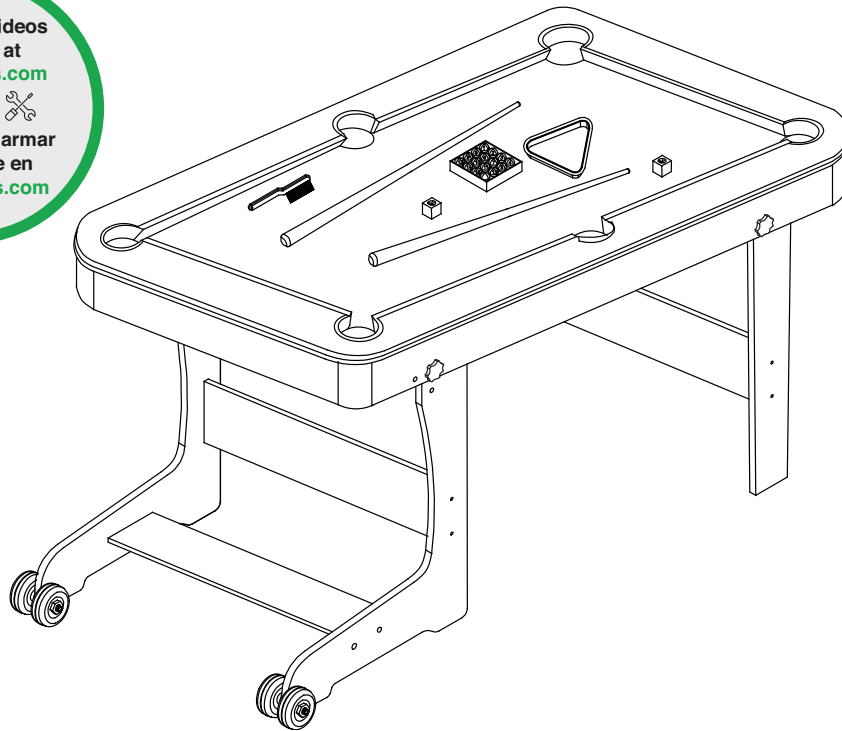




**Space Saving Billiard Table**

Item 64-6033

# STORMSTRIKE SPACE SAVING BILLIARD TABLE



## Replacement Parts

Order direct at [www.gldproducts.com](http://www.gldproducts.com)  
or call our Customer Service department at  
**(800) 225-7593**  
8 am to 4:30 pm Central Standard Time

**GLD Products**

**Space Saving Billiard Table**

Item 64-6033

**Staple your receipt here.**

**Important:** A copy of your receipt will be needed to activate your warranty (see page 13).





***Congratulations and THANK YOU for purchasing the Stormstrike Space Saving Billiard Table. You have chosen a product that should provide years of entertainment. To assist you with customer service and warranty claims, staple your receipt to the inside cover, then keep this manual in a safe place for future reference.***

**GLD Products**

S84 W19093 Enterprise Drive  
Muskego, WI 53150 USA  
1-800-225-7593  
Fax: 1-800-841-6944  
Email: [gld@gldmfg.com](mailto:gld@gldmfg.com)  
Web: [www.gldproducts.com](http://www.gldproducts.com)

This manual may have been updated. For the latest manual visit the GLD products website.

	<p>Place your package near the location where it will be used. Carefully unpack all components and verify you have all the correct pieces.</p> <p>If you notice missing or defective parts, please call us at: <b>1-800-225-7593.</b></p>
---	---

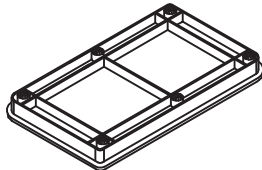
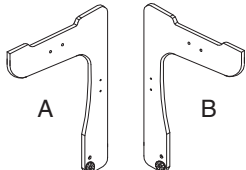
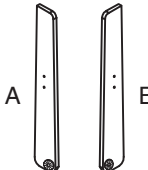

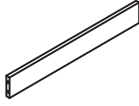








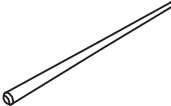
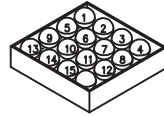






	<p>Please read and understand all instructions before beginning assembly.</p> <p><b>This assembly will require 2 adults.</b></p> <p>This product is not for use by children without adult supervision.</p>
---	--

# GLD Products

# Space Saving Billiard Table

## Parts Identifier

Item 64-6033

Part No./ Qty	Illustration/Order Number	Part No./ Qty	Illustration/Order Number	Part No./ Qty	Illustration/Order Number
<b>1</b> Qty. 1	 Billiard Table Assembly Order No. 1-270	<b>2</b> Qty. 2	 "L" Leg Order No. 1-271	<b>3</b> Qty. 2	 Leg Order No. 1-272
<b>4</b> Qty. 2	 Leg Brace Order No. 1-273	<b>5</b> Qty. 1	 Lower Leg Brace Order No. 1-274	<b>6</b> Qty. 1	 Wrench Order No. 2-25
<b>7</b> Qty. 1	 Brush Order No. 1-260	<b>8</b> Qty. 4	 Wheel Order No. 1-275	<b>9</b> Qty. 2	 Axle Nut Order No. 1-268
<b>10</b> Qty. 12	 6 x 40 mm Leg Bolt Order No. 1-277	<b>11</b> Qty. 12	 18 x 6.5 mm Washer Order No. 1-278	<b>12</b> Qty. 4	 8 x 38 mm Wing Bolt Order No. 1-279
<b>13</b> Qty. 12	 Barrel Nut Order No. 4-185	<b>14</b> Qty. 2	 Cue Stick (42") Order No. 1-263	<b>15</b> Qty. 1	 Billiard Ball Set Order No. 1-264
<b>16</b> Qty. 1	 Triangle Rack Order No. 1-265	<b>17</b> Qty. 2	 Chalk Order No. 2-24	<b>18</b> Qty. 1	 Allen Wrench Order No. 3-190
<b>19</b> Qty. 2	 6 x 78 mm Axle Bolt Order No. 1-281	<b>20</b> Qty. 4	 M8 Nut Order No. 4-179	<b>21</b> Qty. 4	 22 x 8.5 mm Washer Order No. 3-174

**IF YOU HAVE A WARRANTY CLAIM, CALL US FIRST:**

Please refer to page 13.

**GLD Products**

Available 8 am to 4:30 pm Central Standard Time

S84 W19093 Enterprise Drive  
Muskego, WI 53150 USA

1-800-225-7593

Fax: 1-800-841-6944

Email: [gld@gldmfg.com](mailto:gld@gldmfg.com)

Web: [www.gldproducts.com](http://www.gldproducts.com)


For all claims, please have your receipt and item number when you call. The product item number can be found on the front cover.

**If you are instructed to return the product for service, you are responsible for shipping the unit at your expense.**

**PRODUCT REGISTRATION**

**Important: The product registration form on page 15 and a copy of your receipt must be completed and returned within 10 days of purchase to validate your warranty.**

Online registration is also available. Go to [www.gldproducts.com/warranty-registration](http://www.gldproducts.com/warranty-registration) or click on this link. Follow the online instructions.

	<p><b>WARNING: Parents</b> - Please read instructions carefully. Not for use by children without adult supervision.</p>
---	---

**Preparing for Assembly**

- Be sure to unpack all of the parts included in this package. Some parts may be in obscure locations of the packaging. Check inside any tubes or sleeves. Save all packing material until the product is fully assembled and functional.
- Compare the parts in your package with the Parts Identifier description on page 4.
- After unpacking large products, some disassembly may be required prior to beginning the assembly.

## Tools Required

- Wrench (#6) - included with table
- Allen wrench/Phillips screwdriver (#18) - included with table
- Flat head screwdriver (not included)
- Level (not included)
- Electric screwdriver may be helpful. **CAUTION:** You must set at LOW TORQUE and use extreme caution because you could overtighten the hardware, strip the screws or damage the table.

## Assembly Tips

Make sure you understand the following before you begin to assemble your game table.

1. READ THIS MANUAL all the way through before beginning assembly.
2. When installing parts that have more than one bolt, start ALL bolts in that part by hand before tightening anything.
3. Some drawings or images in this manual may not look exactly like your product.
4. You will need a second adult to assist with this assembly.

**Note:** Save all packing materials until the parts have been inspected and the table is assembled.

## Unpack the Pieces

- Lay the box on a flat surface (floor). You may want this near your area of assembly.
- Unpack the boxes and part bags. Inspect and count the parts. The Parts Identifier page can be used to record your results.
- If any parts are damaged or missing contact GLD customer service.
- Missing fasteners may be purchased at a hardware store using the descriptions on the Parts Identifier page(s).

**STEP 1 - ATTACH THE LEGS**

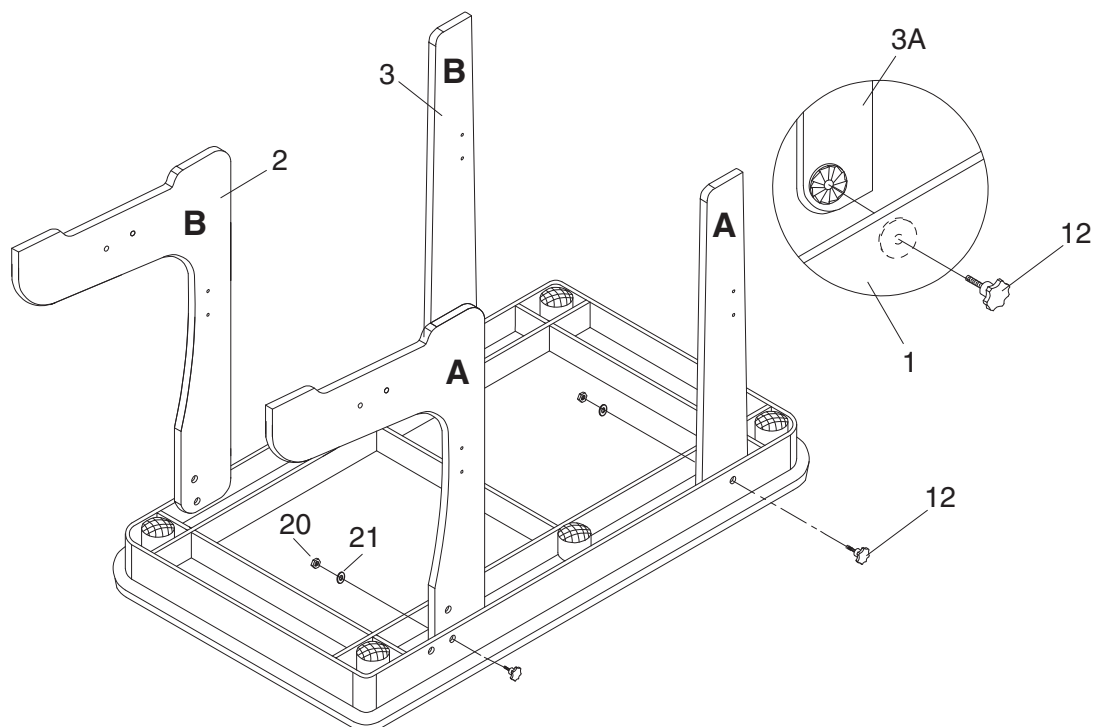
1. Place the pre-assembled table assembly (#1) top down on a flat work area.

**Note:** If the work surface is rough, use the cardboard packaging material over the rough surface. This will help prevent scratches.

2. Locate the end of the table that has two holes in the apron. Position an "L" shaped leg (#2) so that it points away from the center of the table. The two legs are not the same. Look at both sides of a leg. One side has a plastic disk. That plastic disk must be on the outside of each leg to allow the legs to lock in position. Position the locking disk on the leg to line up and lock with the disk mounted on the side skirt.
3. Attach the two "L" shaped legs (#2) using wing bolts (#12) to hold the legs in the up position and hand tighten. Place a washer (#21) and a M8 nut (#20) on the end of each wing bolt (#12) and tighten.
4. The two straight legs (#3) are attached at the other end of the table with the single hole. Position the legs so the locking disk on the leg lines up and locks with the disk mounted on the side skirt.

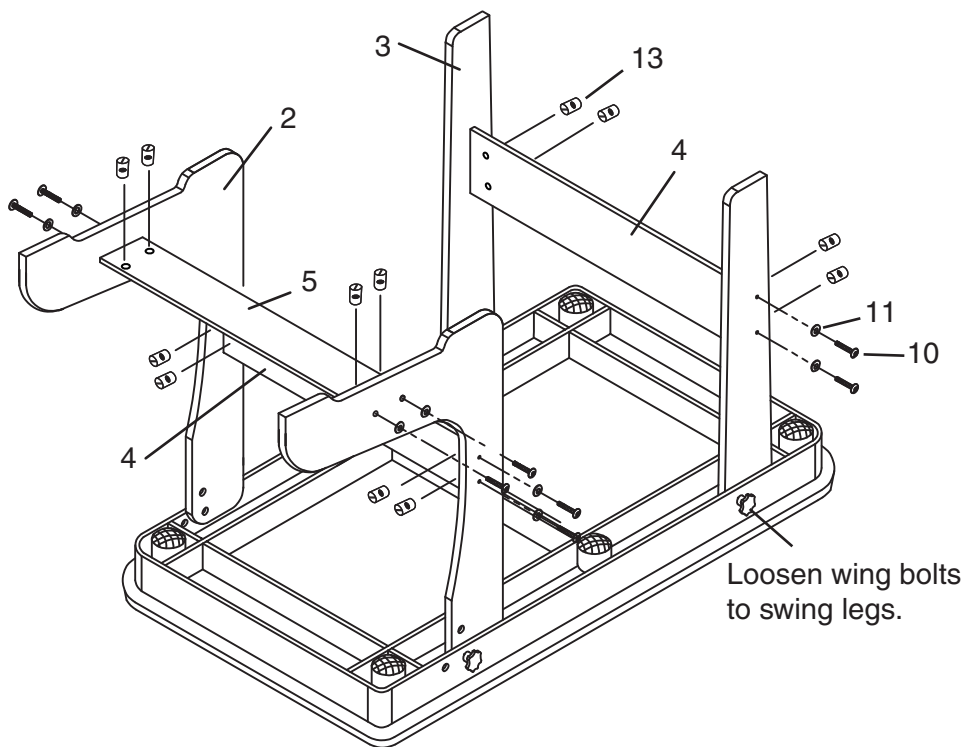
**Note:** The two straight legs (#3) have rounded corners near the locking disks. The round corner must face toward the "L" shaped legs (#2) or the straight legs will not collapse in the correct direction.

5. Attach the two straight legs (#3) using a wing bolt (#12) to hold the legs in the up position and hand tighten. Place a washer (#21) and a M8 nut (#20) on the end of each wing bolt (#12) and tighten.



**STEP 2 - ATTACH THE LEG BRACES**

1. Position one of the leg braces (#4) between the two straight legs (#3).
2. Place barrel nuts (#13) into the four holes in the leg brace (#4). The threaded hole of the barrel nut should line up with the bolt holes from the leg.
3. Use four bolts (#10) with washers (#11) to go thru the legs (#3) and into the barrel nuts (#13). Finger start the bolts (#10).
4. Position the second leg brace (#4) between the two "L" shaped legs (#2). Repeat numbers 2 and 3.
5. Place the lower leg brace (#5) between the two "L" shaped legs (#2). When the table is turned over this will be the leg brace that is closest to the ground.
6. Place barrel nuts (#13) into the four holes in the leg brace (#4). The threaded hole of the barrel nut should line up with the bolt holes from the leg.
7. Use four bolts (#10) with washers (#11) to go thru the legs (#2) and into the barrel nuts (#13). Finger start the bolts (#10).
8. Tighten all of the bolts (#10).
9. Test the swing action on both leg pairs. On both pairs loosen the two wing bolts until the locking disks can rotate over each other. Each leg assembly should pivot on the two wing bolts (#12).
10. Return both leg pairs to the up position and tighten the wing bolts (#12).



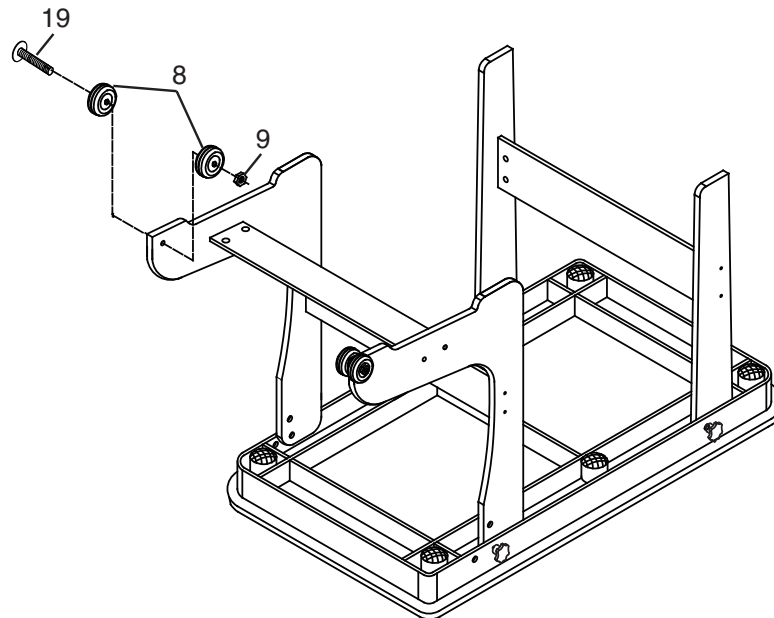


**STEP 3 - ATTACH THE WHEELS**

1. Place one of the wheels (#8) on an axle bolt (#19).
2. Push the assembly thru the hole on the "L" shaped leg (#2).
3. Place a second wheel (#8) on the axle bolt (#19). Use an axle nut (#9) to secure the wheel (#8).

**Note:** The axle nut (#9) has a rounded edge on one side. The opposite side should screw onto the axle bolt (#19) first. The axle nut (#9) will feel tight when assembled to the axle bolt (#19). Tighten only to secure and stabilize the wheels. The wheels must roll freely.

4. Repeat for the second "L" shaped leg.



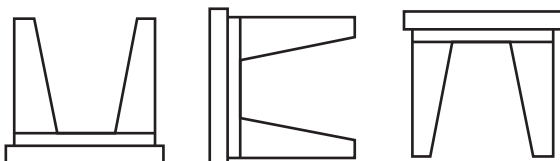
**STEP 4 - TURN THE BASE OVER**

The base assembly is ready to be turned over.

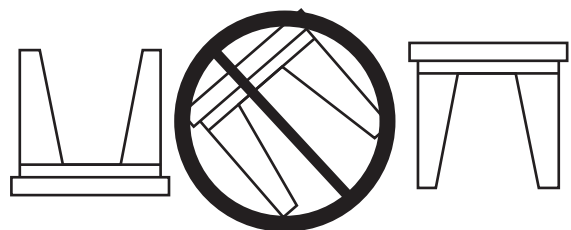
**USE AT LEAST TWO PEOPLE TO LIFT THE BASE ASSEMBLY AND TURN IT OVER TO REST ON THE LEGS.**

**DO NOT ROLL THE TABLE OVER.** This will place a sideways force on the legs. The legs should be off the floor until the base assembly is rotated completely. Set the base assembly down.

**DO THIS**



**NOT THIS**



**How To Use The Space Saving Feature**

This billiard table can be folded up to save floor space when it is not in use.

1. Loosen the two wing bolts (#12) on the "L" shaped legs until the locking disks can rotate over each other.
2. Lift up on the edge of the table that has the straight legs. The "L" shaped legs will remain on the floor.
3. When the table is fully up, screw wing bolts (#12) in to the locking disks. Tighten to lock the table in the up position.

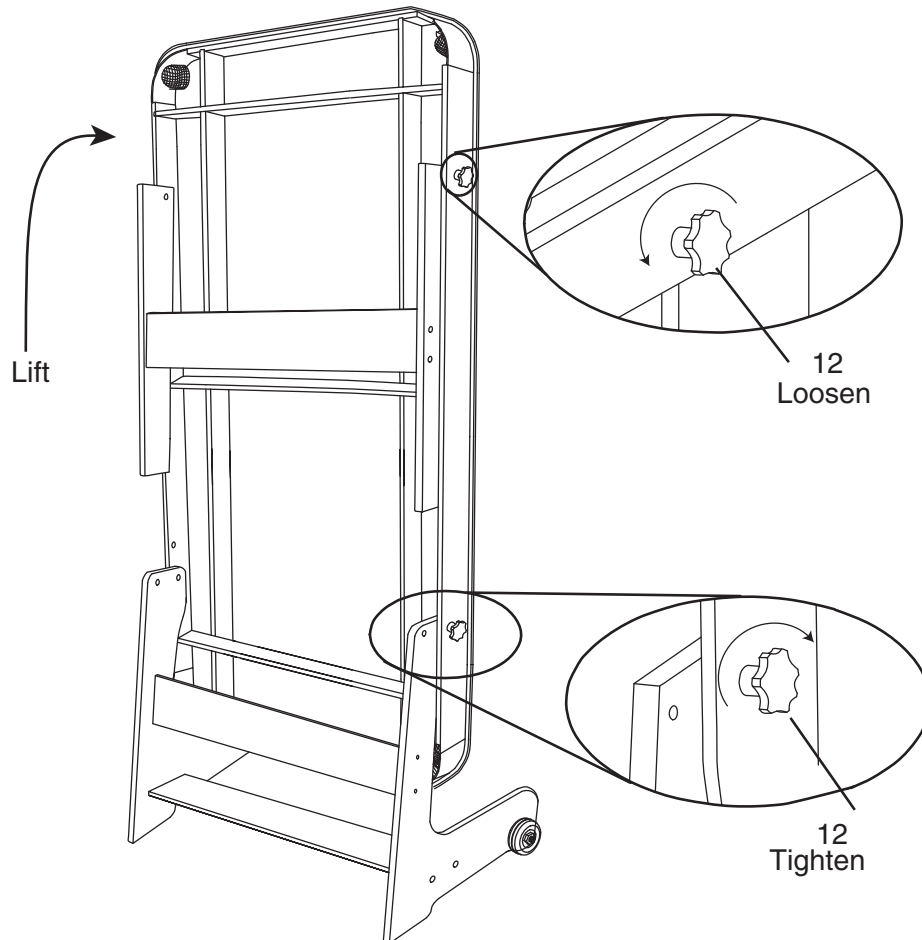
**CAUTION:** Be certain the two wing bolts and the locking disks are secured in the legs. If the locking disks are not properly connected the table can swing down causing damage or personal injury.

4. Hold the straight legs (#3) in the up position. Loosen the two wing bolts (#12) until the legs can swing down.
5. When the legs are down the wing bolts may be tightened.
6. To lower the table for play, loosen the wing bolts (#12) on the straight legs (#3). Swing the legs upward until they are straight out (perpendicular) from the table. Then tighten the wing bolts (#12) to lock in position.
7. Loosen the wing bolts (#12) on the "L" shaped legs (#2) until the locking disks can rotate over each other.
8. Lower the table slowly until the straight legs (#3) are on the floor.

**CAUTION:** Do not drop or allow the table to free fall down. Damage to the table may occur.

9. Tighten all four wing bolts (#14)

**CAUTION:** Do not leave children unattended near the folded up table. Be careful when moving a folded up table. The table is top heavy and can be tipped over, causing damage or personal injury.



**THE TABLE IS ASSEMBLED. IF IT IS NOT ALREADY IN POSITION FOR PLAY, IT CAN BE MOVED.**

**Care and Use of your Table**

- This product is intended for INDOOR use only.
- DO NOT sit, climb, or lean on the table.
- DO NOT drag the table when moving it. This will damage the legs. Lift and use the wheels.
- Keep your table covered. The playing surface can be brushed or lightly vacuumed with low suction.
- The cloth playing surface can rip or tear. Keep sharp objects off the playing surface.
- Some "trick shots" may tear or dimple the cloth surface.
- To clean the hard surfaces spray a cloth with a mild cleaner and wipe.



## 90-DAY LIMITED WARRANTY

The Manufacturer warrants to the original retail purchaser that this product is free from defects in material and workmanship under normal use and conditions for a period of ninety (90) days from the date of original purchase. The Manufacturer's liability is limited to the repair or replacement, at its option, of any defective product and shall not include any liability for indirect, incidental or consequential damages of any kind.

Should this product become defective due to material or workmanship within the warranty period, contact our Customer Service Department. This warranty is not transferable and does not cover normal wear and tear or damage caused by improper usage, negligence, misuse, abuse, transportation damage, acts of nature, or accident (including failure to follow the instructions in this manual). It does not cover expendable items such as batteries, light bulbs, fuses, accessories, cosmetic parts and other items that wear out due to normal usage, including felt covered areas of the playing surface. This warranty is also void if the product is disassembled and reassembled, damaged, modified from its original state, or used for other than indoor personal residential use (no commercial or rental applications). This warranty gives you specific legal rights, and you may have other rights which vary from state to state.

### **IF YOU HAVE A WARRANTY CLAIM, CALL US FIRST (8 - 4:30 CST):**

Please have your receipt and item number (found on the front cover) when you call.

#### ***GLD Products***

S84 W19093 Enterprise Drive

Muskego, WI 53150 USA

1-800-225-7593

Fax: 1-800-841-6944

Email: [gld@gldmfg.com](mailto:gld@gldmfg.com)

Web: [www.gldproducts.com](http://www.gldproducts.com)

**If you are instructed to return the product for service, you are responsible for shipping the unit at your expense to the above address in packaging that will protect against further damage. All warranty or repair requests require a Return Authorization Number prior to returning the item.**

### **PRODUCT REGISTRATION**

**Important:** The product registration form on page 15 must be completed and returned along with a copy of your receipt within 10 days of purchase to validate your warranty.

On-line registration is also available.

Go to <http://www.gldproducts.com/warranty-registration> or click on this link. Follow the on-line instructions.



# REGISTER YOUR PRODUCT

Place postage here

Complete this form, include a copy of your receipt, fold, tape (do not staple) and return within 10 days of purchase. This protects your warranty and will help us develop new products!

Cut here.

**GLD Products**  
Warranty Department  
S84 W19093 Enterprise Drive  
Muskego, WI 53150 USA

Fold here second.



[www.gldproducts.com](http://www.gldproducts.com)

- GAME TABLES
- GAMES AND ACCESSORIES
- BILLIARD ACCESSORIES
- SOFT-TIP DARTS
- FLIGHTS AND SHAFTS
- HOME CASINO
- BILLIARD CUES
- DARTBOARDS
- STEEL-TIP DARTS
- DART CASES AND ACCESSORIES

Fold here first.

Name	Date of Purchase
Address	Phone-Day
City	Phone-Evening
State                      Zip	Email
Purchase Price:	Item: <b>64-6033 Space Saving Billiard Table</b>
Store Name:	

**Remember to attach a copy of your receipt.**

**Mail To: GLD Products**  
S84 W19093 Enterprise Drive  
Muskego, WI 53150 USA  
1-800-225-7593 • FAX 800-841-6944  
Email: [gld@gldmfg.com](mailto:gld@gldmfg.com)  
Web Site: [www.gldproducts.com](http://www.gldproducts.com)

## ***Space Saving Billiard Table***

Item 64-6033

### **Parts Order Form**

Please call or consult the GLD website, [gldproducts.com](http://gldproducts.com), to order the following parts.

<b>Order No.</b>	<b>Description</b>
1-270	Billiard Table Assembly
1-271	"L" Leg
1-272	Leg
1-273	Leg Brace
1-274	Lower Leg Brace
2-25	Wrench
1-260	Brush
1-277	6 x 40 mm Leg Bolt
1-278	18 x 6.5 mm Washer
1-279	8 x 38 mm Wing Bolt
1-263	Cue Stick (42")
1-264	Billiard Ball Set
1-265	Triangle Rack
2-24	Chalk
3-190	Allen Wrench
1-281	6 x 78 mm Axle Bolt
1-275	Wheel
1-268	Axle Nut
4-185	Barrel Nut
4-179	M8 Nut

**Note:** After a product has been discontinued for a period of one year, GLD will not guarantee that replacement parts are available.







[www.gldproducts.com](http://www.gldproducts.com)

**GAME TABLES**

**HOME CASINO**

**GAMES AND ACCESSORIES**

**BILLIARD CUES**

**BILLIARD ACCESSORIES**

**DARTBOARDS**

**SOFT-TIP DARTS**

**STEEL-TIP DARTS**

**FLIGHTS AND SHAFTS**

**DART CASES AND ACCESSORIES**



**PROUD MANUFACTURER OF**



S84 W19093 Enterprise Drive • Muskego, WI 53150 USA  
262.679.8730 or 1.800.225.7593 tele  
262.679.8738 or 1.800.841.6944 fax  
Email: [gld@gldmfg.com](mailto:gld@gldmfg.com)  
[www.gldproducts.com](http://www.gldproducts.com)