

# T28/30 SERIES



**HILLYARD**  
  
The Cleaning Resource®

 **TRIDENT®**

Better Built. Better Equipment.

# Better Built. Better Equipment.

Our Trident Brand of equipment starts from the ground up - at a place where intelligent design intersects with innovative technology and exceptional engineering to deliver superior cleaning equipment. Cleaning equipment that lowers your total cost of ownership, reduces your cost to clean and improves cleaning results. It's what you expect out of your equipment investment, and it's what we deliver. We're Hillyard, The Cleaning Resource, since 1907.



Intelligent  
Design



Exceptional  
Engineering



Innovative  
Technology



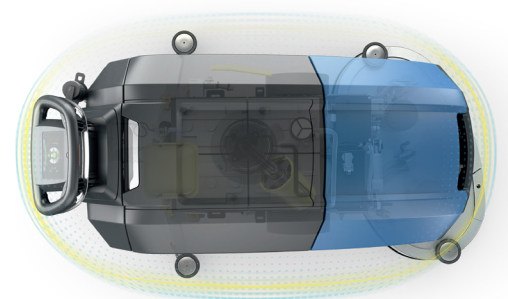
T30SC Pro - Disc



T28SC Plus - Orbital



T28SS Pro - Cylindrical



The outer body surrounds the internal structure and mechanical parts, protecting them from impact.

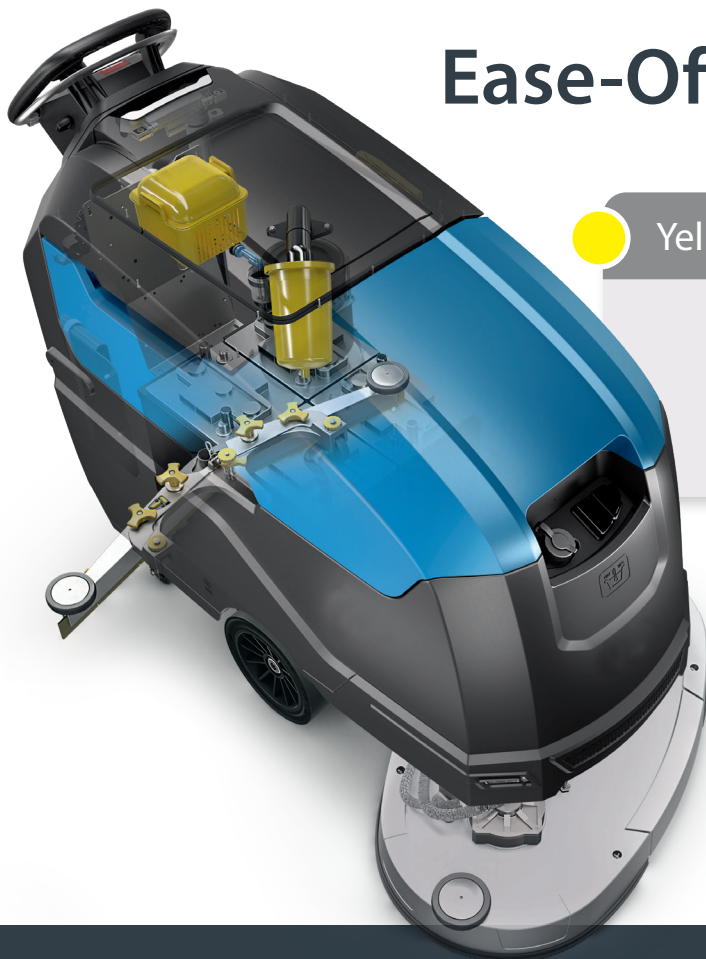
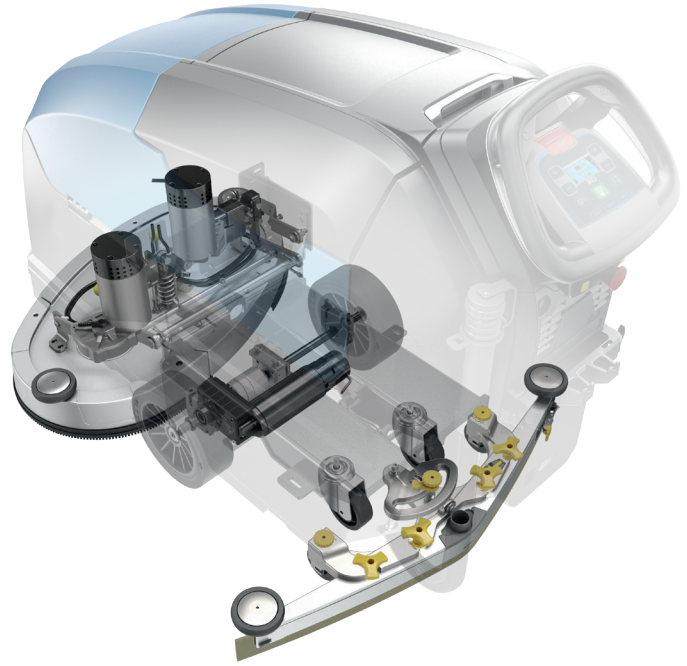


# Designed to Last a Lifetime

## Innovative Aluminum Components

- Corrosion-Resistant
- Sturdy and Durable
- Light Weight
- Precision Fit

The brush head deck and the squeegee assembly are made from aluminum, a material chosen for its durability, corrosion resistance and reliability over time. Aluminum is light weight providing better maneuverability.



## Ease-Of-Use



### Yellow Color-Coded Parts

Parts that should be cleaned daily are color-coded in yellow. This saves time and makes sure your scrubber is kept in perfect condition at all times.

### Eco Mode For Conservation

Activate the Eco Mode to help conserve water, detergent and energy by using only the quantities needed and nothing more while still getting the cleaning performance required.



## Increase Productivity



### Consistent Cleaning Results

Pressure on the brushes is kept constant, delivering consistent high-level cleaning results.



### Rapid Dry

The powerful 2-stage vacuum motor immediately dries the floor, reducing the chance of slip/falls.



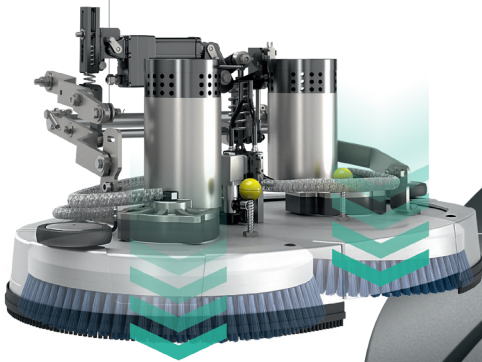
### Dual Pressure Setting

Change pressure at the touch of a button. Apply more pressure for heavy soil loads without stopping. Apply less pressure for normal soil loads.



### One-Touch - Service On-Site

One-touch service contact in case of emergency. Pushing the red button will automatically send an e-mail to the authorized Hillyard service department on record. The service department can quickly act. Requires HFM.



Pictured with optional Trident Dosing Control button (yellow).



## Safety



### Emergency Stop

By pressing a single button the machine stops immediately.



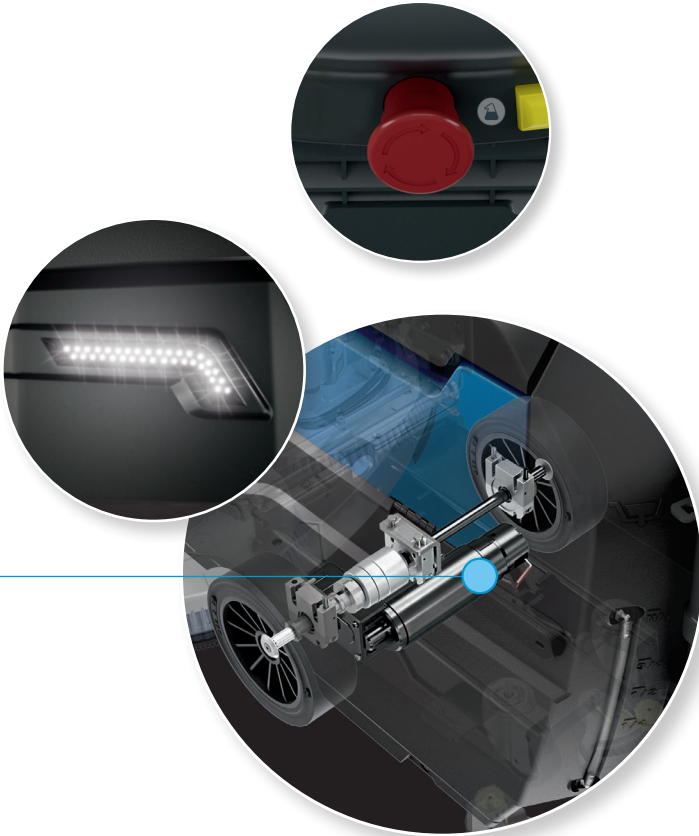
### LED Lighting

Optional front LED headlights maximize safety in all conditions.



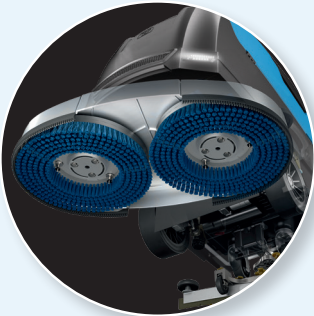
### Automatic Electro Braking

Automatically operated safety break engages when the machine stops. It acts as a safety parking brake.



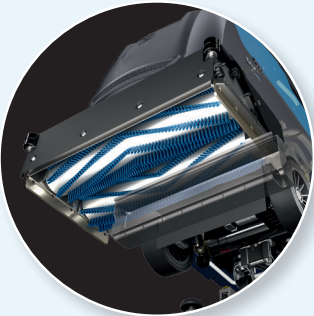
## Scrubbing Technologies

### T30SC Pro - Disc



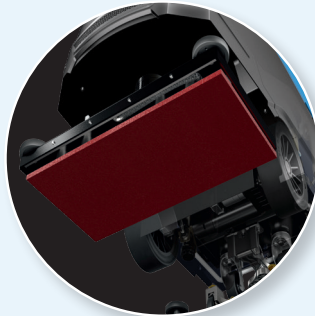
Two disc brushes efficiently clean all hard floors, smooth or irregular, in any setting, effortlessly removing stubborn dirt with higher downpressure.

### T28SS Pro - Cylindrical



Cylindrical brushes scrub and sweep simultaneously, collecting debris in a removable hopper at the rear of the brush head for easy emptying.

### T28SC Plus - Orbital



Orbital scrub decks on provide superior cleaning performance, effectively removing stubborn dirt while minimizing water usage.

## Sustainable Technologies



**TES**

Trident Energy Saver

Reduces energy consumption by up to 35%. LED technology consumes much less energy than conventional headlights, offers a longer lifespan and illuminates with a brilliant natural daylight.



**TFC**

Trident Flow Control

Engineered water flow system that delivers equal solution to both scrub brushes ensuring proper coverage to deliver consistent cleaning quality. T30SC Pro only.



**TDC**

Trident Dosing Control

Water and detergent are dosed separately, optimizing cleaning and reducing chemical and water consumption by up to 50%. Available as an option.



Better Built. Better Equipment.

# Join The Connected Cleaning World\*

Keep tabs on your machines remotely whenever you want and from wherever you want!



HFM

Hillyard Fleet Management



## GEOLOCATION

Know where your machines are.



## USAGE DATA

Know who's using your machine and how it is being used.



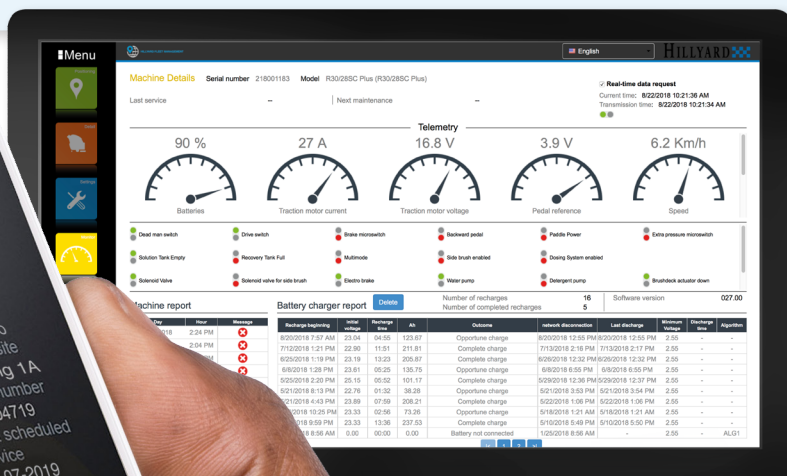
## MAINTENANCE

Know the health status of machines.



## TELEMETRY

Critical machine data is always being monitored for peak performance.



Discover the HFM universe and experience the advantages of being constantly connected with the My.Equipment app!



My.Equipment

An authorized Hillyard Trident Service Center can also view real-time telemetry data, diagnose systems, and update settings over the internet - keeping your equipment running at peak performance - and minimizing downtime.

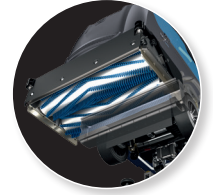


\* Requires optional Hillyard Fleet Management Users module and subscription.

# T28SS Pro / T30SC Pro

## Membrane Control Panel

Disc and Cylindrical models feature a membrane control panel. Its sleek design simplifies operation, enhancing user experience and reducing training time. Resistant to water and chemicals, it ensures durability in harsh cleaning environments. With intuitive controls, it facilitates precise adjustments, optimizing cleaning efficiency and productivity.



# T28SC Plus - Orbital

## Touch Screen Control Panel

All functions and activities are managed from a single interface, where a mere touch of the finger offers access to an extraordinary choice of customizable features that satisfy all types of requirements with effortless simplicity.

The high-definition color display offers the same intuitive experience as a smartphone.



### LOG-IN WITH PASSWORD

Protect your investment and personalize the settings.



### CUSTOM WORK ZONE PROGRAMS

Easily tailor machine settings for each zone. Just choose the zone, and settings adjust automatically.



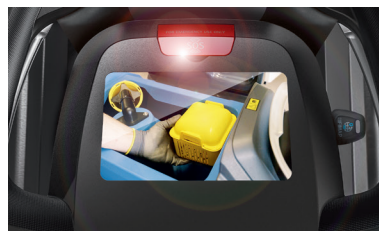
### ECO MODE

Sustainable cleaning, Reduces sound, water and detergent consumption, and saves energy.



### POWER MODE

Maximum power for tough cleaning.



### ONBOARD DIGITAL INSTRUCTIONS

Giving you all the information you need exactly when you need it.

## Power Options

### Maintenance Free



- The ultimate solution for simplicity and durability.
- Virtually maintenance free. Just plug in the charger when not in use.
- Full replacement three-year warranty with use of the included Protection from Overdischarge (POD) device.



### Flooded Lead Acid



- Conventional deep-cycle battery for cleaning equipment.
- High quality, lower-cost alternative to maintenance-free batteries.
- Requires routine maintenance to maintain electrolyte levels and warranty. Pro-rated one-year warranty.



## Battery Charger - Lester Summit Series II



Full replacement 3-year warranty



### BLUETOOTH®

Featuring Bluetooth wireless communication with apps for Apple® and Android® phones and tablets. View charge cycle status, select the active battery profile, upload new profiles, change between on-board and off-board and download charge history records anytime using just a smart phone or tablet.



### PERFORMANCE

Our Summit Series® II provides industry leading charging performance and intelligence. Our proprietary Progressive DV/DT charge algorithm ensures a precisely charged battery every time. The chargers are tested in extreme temperatures and operating conditions and built to last.



### EFFICIENCY

Our switch mode (high frequency) chargers have best-in-class efficiency and are compliant with the latest DOE and CEC standards. We operate a CEC approved laboratory in our Lincoln, NE manufacturing plant.





# Standard and Optional Equipment

● STANDARD ○ OPTION – NOT AVAILABLE

| User Experience                                 | T28SS Pro      | T28SC Plus Orbital | T30SC Pro      |
|---|----------------|--------------------|----------------|
| "Zone" Program                                  | ●              | ●                  | ●              |
| Eco Mode  | ●              | ●                  | ●              |
| Membrane Control Panel                          | ●              | –                  | ●              |
| Touch Screen Control Panel                      | –              | ●                  | –              |
| Comfort   |                |                    |                |
| Hour Meter                                      | ●              | ●                  | ●              |
| Key Switch                                      | ●              | ●                  | ●              |
| Cleaning Solution Level Indicator               | ●              | ●                  | ●              |
| Onboard Battery Charger                         | ○              | ○                  | ○              |
| Brush Actuator                                  | ●              | ●                  | ●              |
| Squeegee Actuator                               | –              | ●                  | –              |
| Squeegee Manual Lifting                         | ●              | –                  | ●              |
| Productivity                                    |                |                    |                |
| Speed Selector                                  | ●              | ●                  | ●              |
| Water Flow Selector                             | ●              | ●                  | ●              |
| Pad Pressure Settings                           | 2              | 3                  | 2              |
| HFM - Hillyard Fleet Management With SOS Device | ○ - HIL229006* | ○ - HIL229006*     | ○ - HIL227715* |
| Aluminum Squeegee & Squeegee Support            | ●              | ●                  | ●              |
| Safety  |                |                    |                |
| Driving LED Light Pack Kit (Front)              | ○ - HIL227191* | ○ - HIL227191*     | ○ - HIL227191* |
| Emergency Stop                                  | ●              | ●                  | ●              |
| Electro Parking Brake                           | ●              | ●                  | ●              |
| Environment                                     |                |                    |                |
| TDC - Trident Dosing Control                    | ○ - HIL228463* | ○ - HIL228463*     | ○ - HIL228463* |
| TES - Trident Energy Saver                      | ●              | ●                  | ●              |
| TFC - Trident Flow Control                      | –              | –                  | ●              |

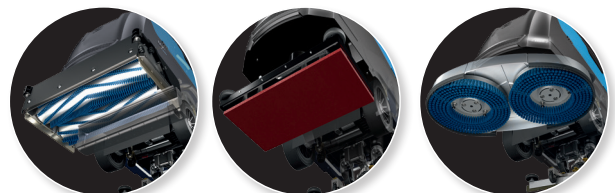
\*Dealer Installed Option

## Squeegees, Brushes and Pads

| Squeegee Replacement        | T28SS Pro | T28SC Plus Orbital | T30SC Pro |
|-----------------------------|-----------|--------------------|-----------|
| Front and Rear Squeegee Kit | HIL228496 | HIL228496          | HIL225737 |

| Brush and Pad Replacement                       | T28SS Pro<br>Cylindrical Brushes | T28SC Plus Orbital<br>28 x 14 Inch | T30SC Pro<br>Disc Brushes |
|---|----------------------------------|------------------------------------|---------------------------|
| Brush(es) - Soft, 0.3MM PPL, Blue               | HIL449785                        | n/a                                | HIL414272                 |
| Brush(es) - Medium, 0.6MM PPL, White (Standard) | HIL448012                        | n/a                                | HIL414270                 |
| Brush(es) - Stiff, 0.9MM PPL, Black             | HIL448013                        | n/a                                | HIL414273                 |
| Brush(es) - Abrasive, 80 Grit, Gray             | HIL448014                        | n/a                                | HIL414271                 |
| Pad - Red                                       | n/a                              | HIL41428                           | HIL42215                  |

Brushes are sold individually. Each machine requires 2 brushes.



# Specifications

| Specifications                         |           | T28SS Pro Cyl  | T28SC Plus Orbital                           | T30SC Pro   |
|--|-----------|--|--|---|
| Hillyard Item Number                   |           | HIL56028   | HIL56032                                     | HIL56029  |
| Cleaning Path                          | In        | 28   | 28   | 30  |
| Squeegee Width                         | In        | 39.4   | 39.4   | 35.4  |
| Disc Brushes                           | (No.) In  | n/a  | n/a  | (2) 15  |
| Cylindrical Brushes                    | (No.) In  | (2) 7.08 x 24  | n/a  | n/a   |
| Rectangular Pad Holder                 | (No.) In  | n/a  | 28 x 14                                      | n/a   |
| Solution Tank                          | Gal       | 19.5   | 19.5   | 19.5  |
| Recovery Tank                          | Gal       | 22.5   | 22.5   | 22.5  |
| Debris Hopper                          | Gal       | 2.1  | n/a  | n/a   |
| Supply/Traction                        | V         | 24/Automatic   | 24/Automatic                                 | 24/Automatic  |
| Acoustic Level (Iso 11201)             | Db (A)    | <70  | <70  | <70   |
| Brush Motor(s)                         | (No.) V/W | (2) 24/450   | (1) 24/680                                   | (2) 24/500  |
| Vacuum Motor                           | V/W       | 24/422   | 24/422                                       | 24/422  |
| Traction Motor                         | V/W       | 24/300   | 24/300                                       | 24/300  |
| Brushes RPM                            | RPM       | 550  | n/a  | 140   |
| Orbital Oscillations                   | RPM       | n/a  | 2000   | n/a   |
| Brush Pressure - Variable Range        | Lb        | 33 - 88  | 88 - 110 - 132                               | 77 - 126  |
| Forward Speed                          | MPH       | 3  | 3  | 3   |
| Productivity                           | Sq.ft/Hr  | 27,700   | 27,700                                       | 32,200  |
| Battery Compartment Dimensions (L,H,W) | In        | 20.6 - 12.6 - 15.6                                       | 20.6 - 12.6 - 15.6                           | 20.6 - 12.6 - 15.6  |
| Machine Dimensions (L,H,W)             | In        | 57.9 - 43.0 - 28.8                                       | 57.9 - 43.0 - 28.8                           | 59.6 - 43.0 - 31.3  |
| Machine Weight (Without Battery)       | Lb        | 423  | 430  | 426   |
| Contents                               |           | 1 - Machine<br>2 - Cylindrical Brushes<br>1 - Owners Kit | 1 - Machine<br>1 - Red Pad<br>1 - Owners Kit | 1 - Machine<br>2 - Nylon Brushes<br>2 - Pad Holders<br>1 - Owners Kit |

## ORDER WITH FACTORY INSTALLED BATTERIES

Equipment purchased with factory installed batteries include batteries, cables, and a shelf charger. TPPL machines are equipped with the required Protection From Overdischarge (POD) device.

| Model                 | T28SS Pro Cylindrical                                 |   | T28SC Plus Orbital                                    |   | T30SC Pro Disc  |   |
|-----------------------|---|---|---|---|---|---|
|                       | HIL56028SLA   | HIL56028WET                               | HIL56032SLA   | HIL56032WET                               | HIL56029SLA   | HIL56029WET                               |
| Battery Type          | Maintenance Free (TPPL)                               | Flooded Lead Acid                         | Maintenance Free (TPPL)                               | Flooded Lead Acid                         | Maintenance Free (TPPL)                               | Flooded Lead Acid                         |
| Quantity              | 2   | 4   | 2   | 4   | 2   | 4   |
| Voltage / Capacity    | 12 V / 157 AH   | 6 V / 240 AH                              | 12 V / 157 AH   | 6 V / 240 AH                              | 12 V / 157 AH   | 6 V / 240 AH                              |
| Dimensions LxWxH (in) | 17.5 x 7 x 10.5                                       | 10.3 x 7.1 x 10.9                         | 17.5 x 7 x 10.5                                       | 10.3 x 7.1 x 10.9                         | 17.5 x 7 x 10.5                                       | 10.3 x 7.1 x 10.9                         |
| Weight, Each (lbs)    | 117   | 66  | 117   | 66  | 117   | 66  |
| Includes              | Machine, batteries, cables, shelf charger, POD device | Machine, batteries, cables, shelf charger | Machine, batteries, cables, shelf charger, POD device | Machine, batteries, cables, shelf charger | Machine, batteries, cables, shelf charger, POD device | Machine, batteries, cables, shelf charger |



The Cleaning Resource®

PO Box 909  
St. Joseph, MO 64502  
www.hillyard.com

LIT-T28T30-0524

Subject to change without notice.