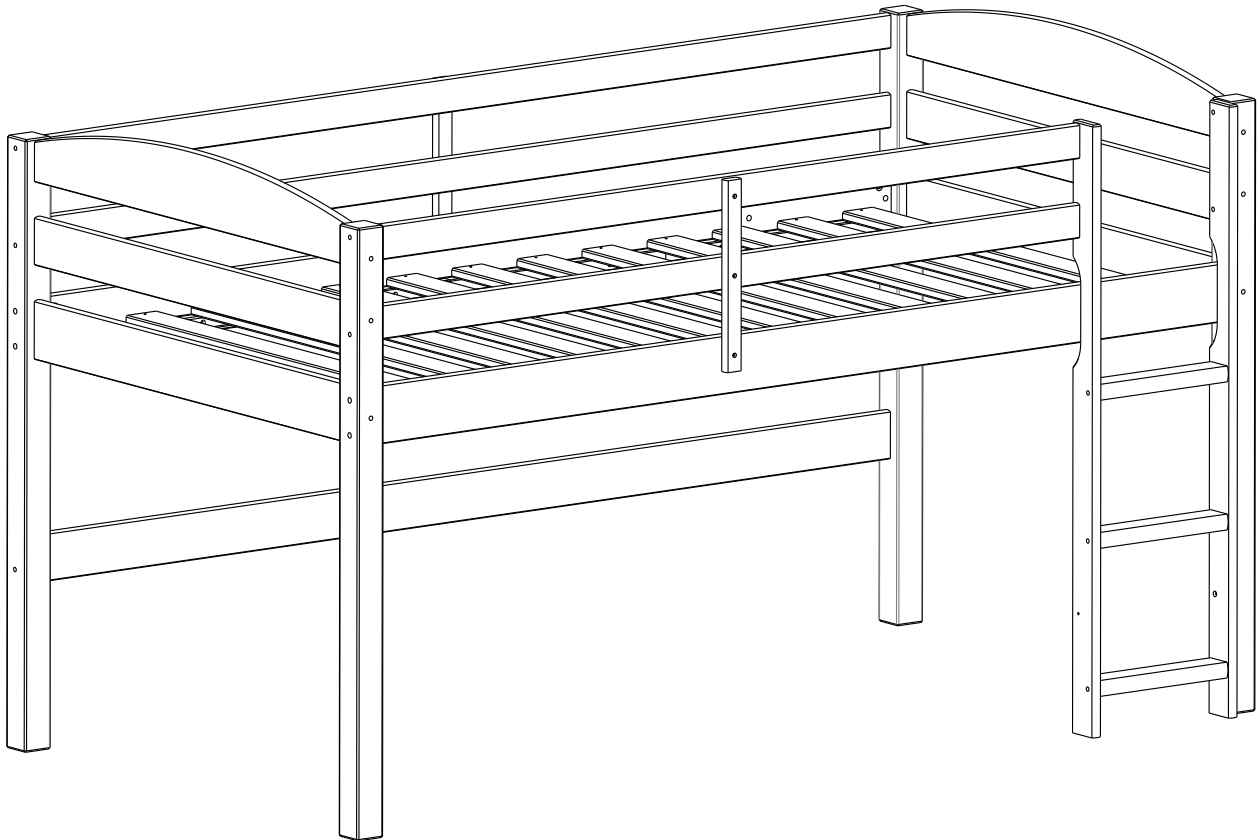


W Walker
E Edison
furniture company

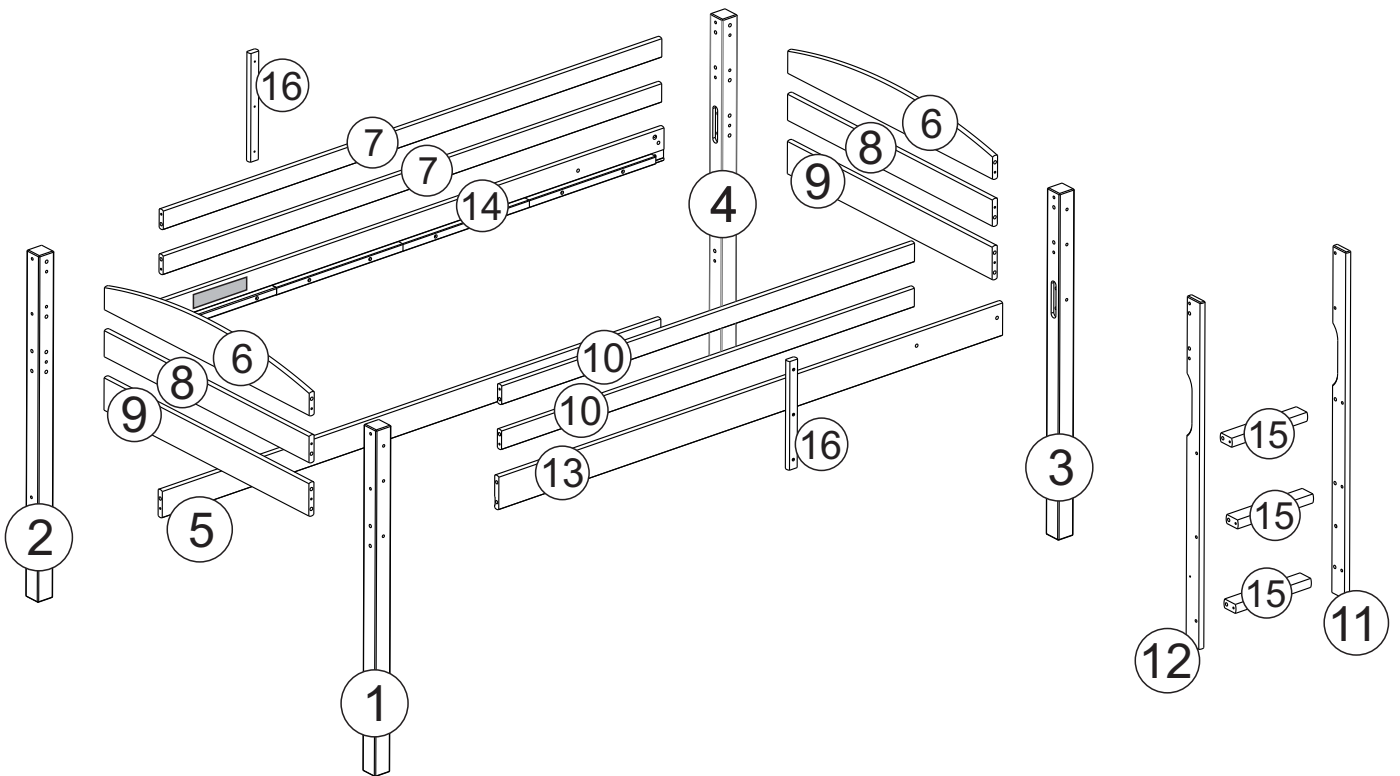
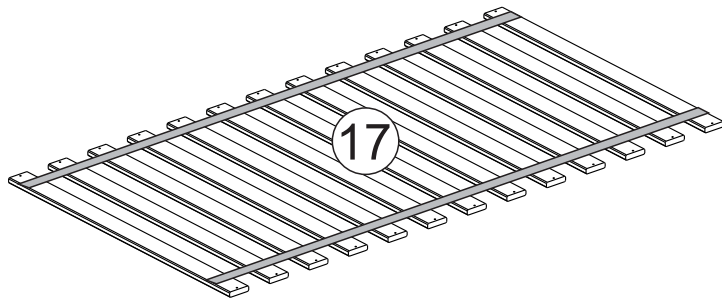
Item #: BWSTOLL
Assembly Instructions



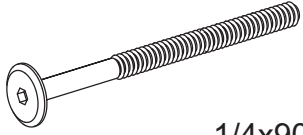
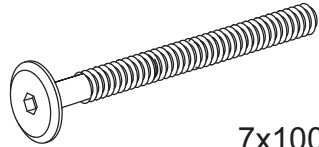
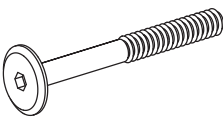
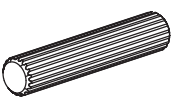
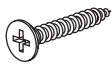
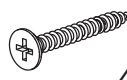
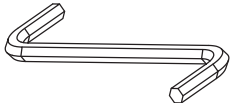


For the most current instructions, additional assembly tips, to report damage or request parts, please visit our website at www.walkerredison.com.

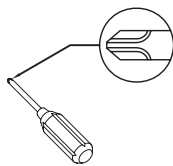
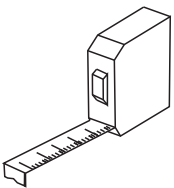
Revised 10/2017

Parts List



Hardware List

Ref.		Qty.
A	 1/4x90mm	08
B	 7x100mm	20
C	 7x50mm	10
D	 10x40mm	32
E	 4,0x30mm	06
G	 4,0x35mm	27
H	 Hex Key	02
K	 Haste 55mm	02
L	 NUT 1/4	08

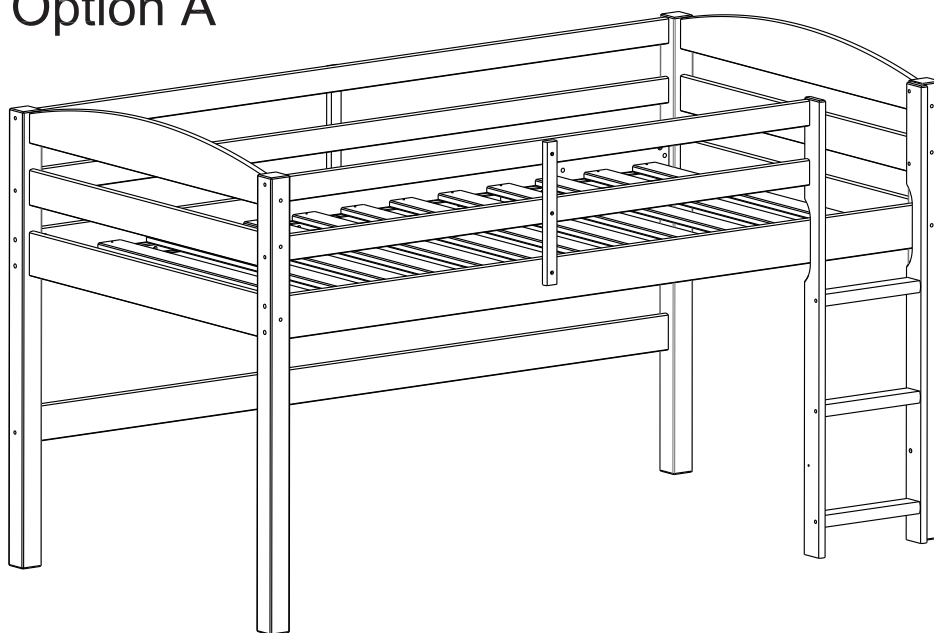


Philips head screwdriver required for assembly
(not included)

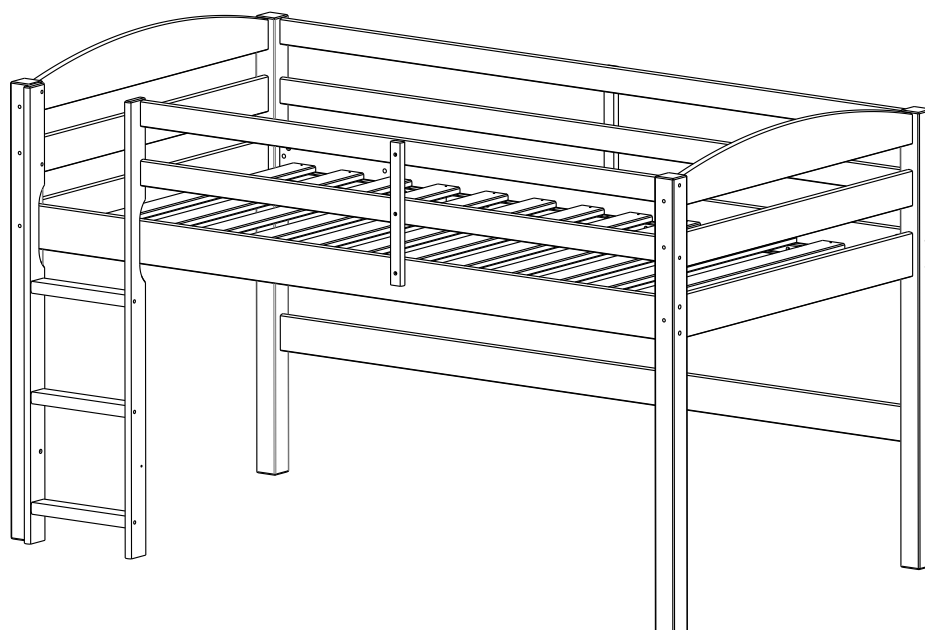
*The hardware quantities listed above are required for proper assembly.
Some extra hardware may also have been included.*

Assembly Options

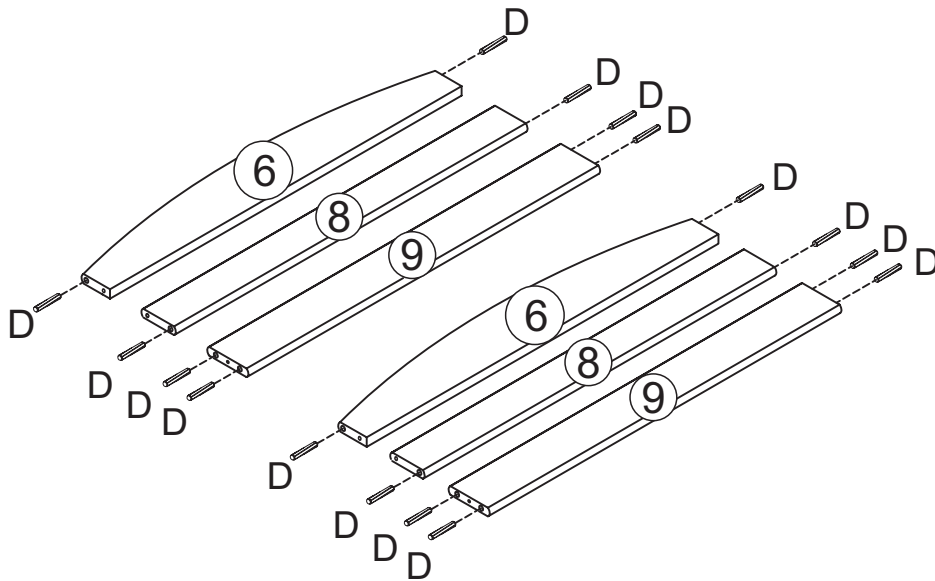
Option A




Option B



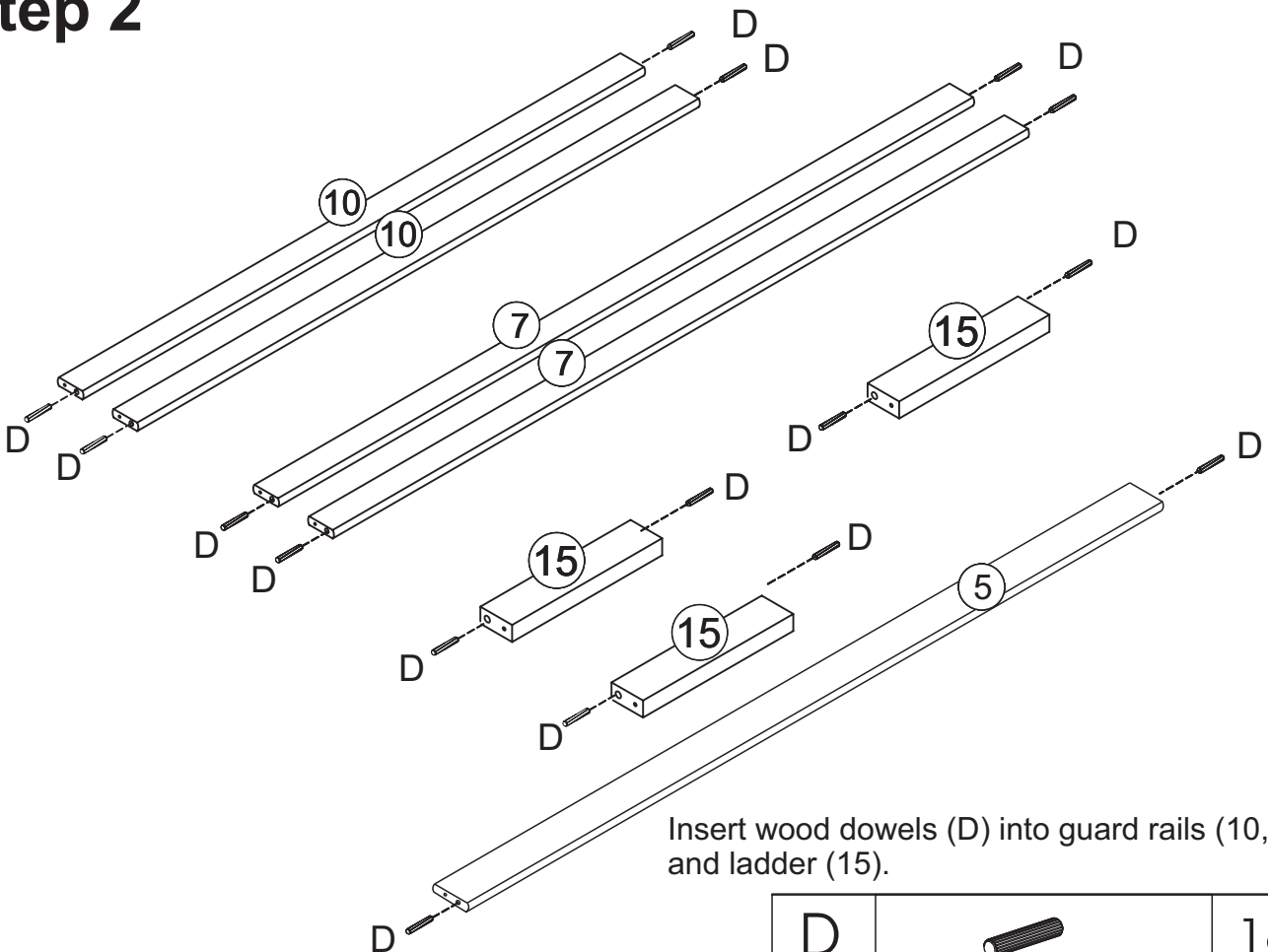
Step 1




Insert wood dowels (D) into slats (6,8,9).

D	 10x40mm	16
---	--	----

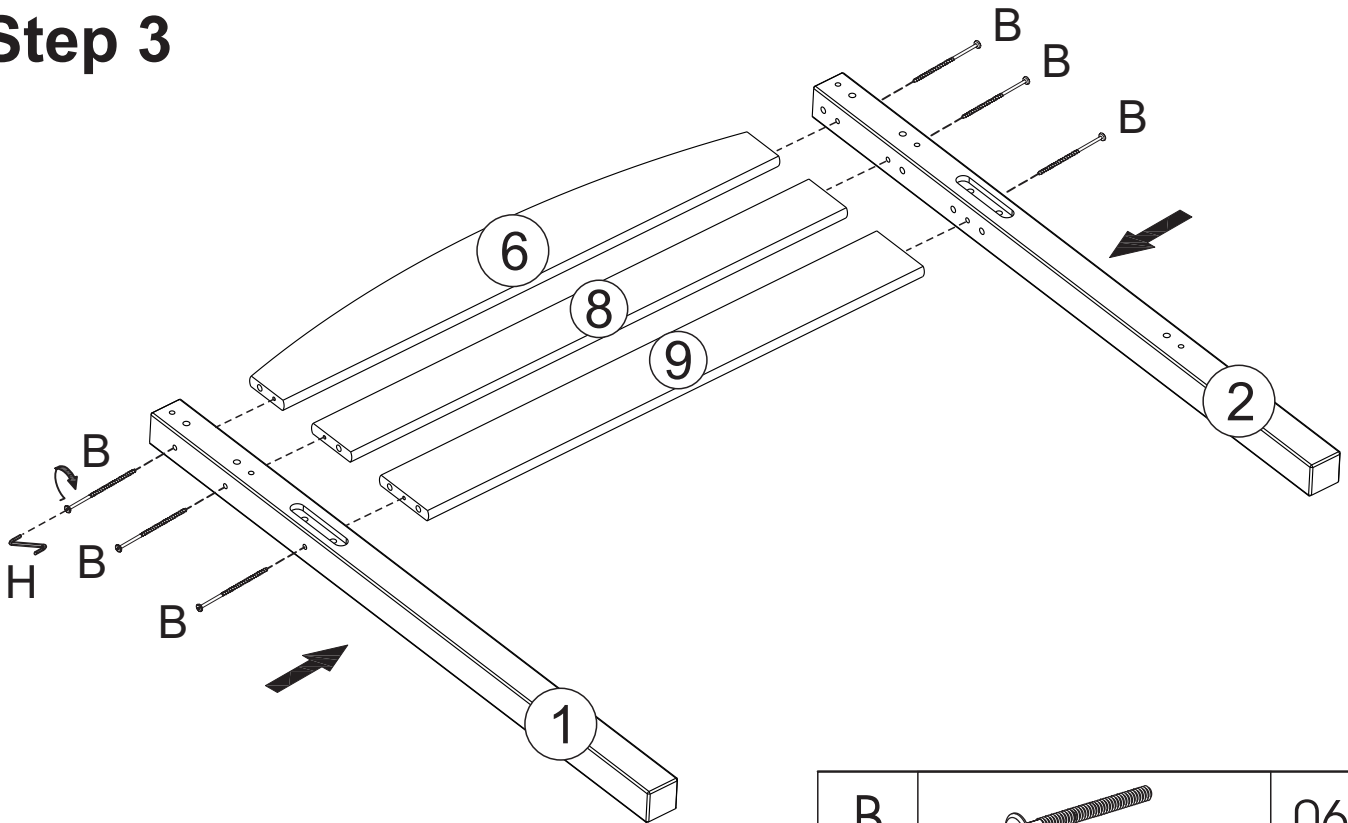
Step 2




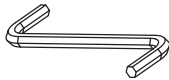
Insert wood dowels (D) into guard rails (10,7,5) and ladder (15).

D	 10x40mm	16
---	--	----

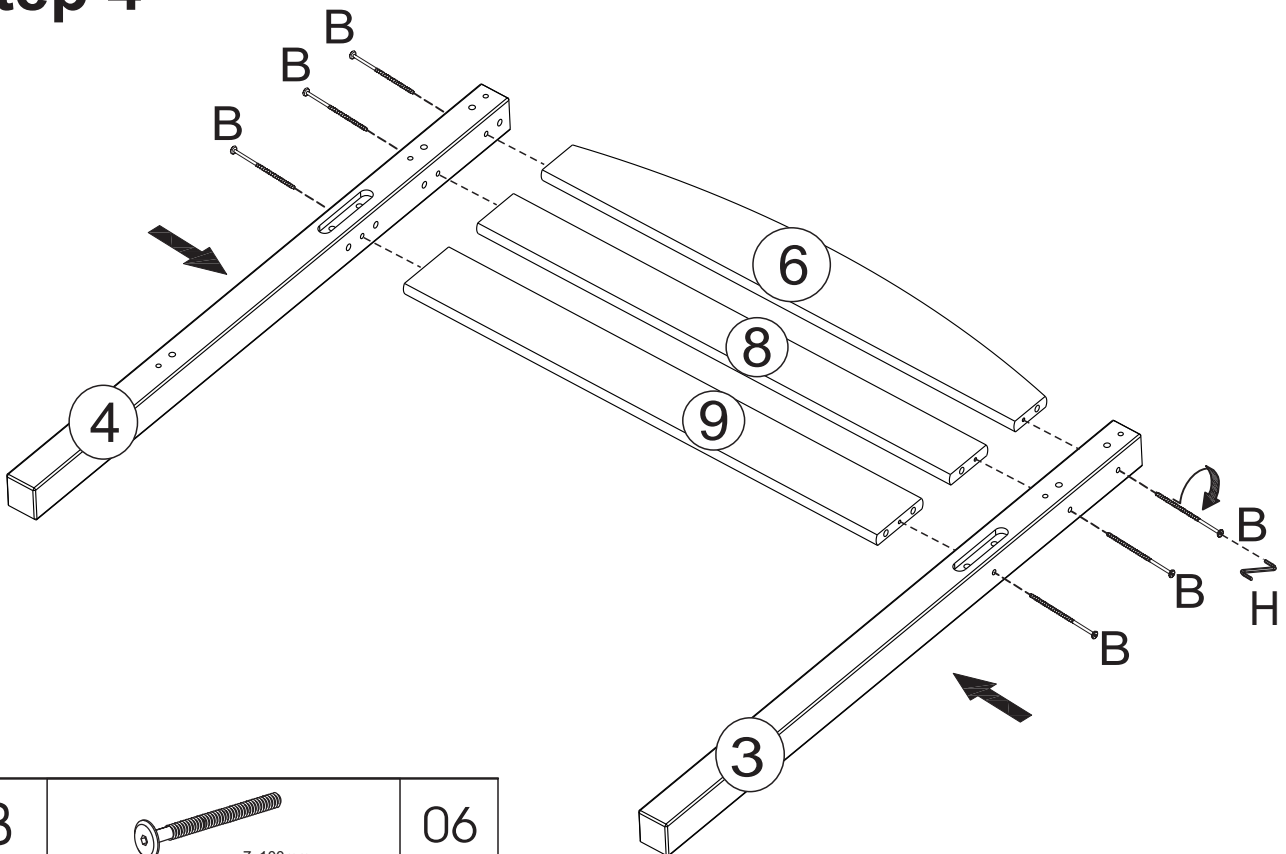
Step 3




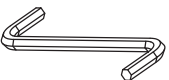
Attach legs (1,2) to slats (6,8,9) using screws (B) and Hex Key (H).

B	 7x100mm	06
H		01

Step 4



Attach legs (4,3) to slats (6,8,9) using screws (B) and Hex Key (H).

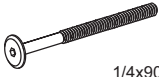



B	 7x100mm	06
H		01

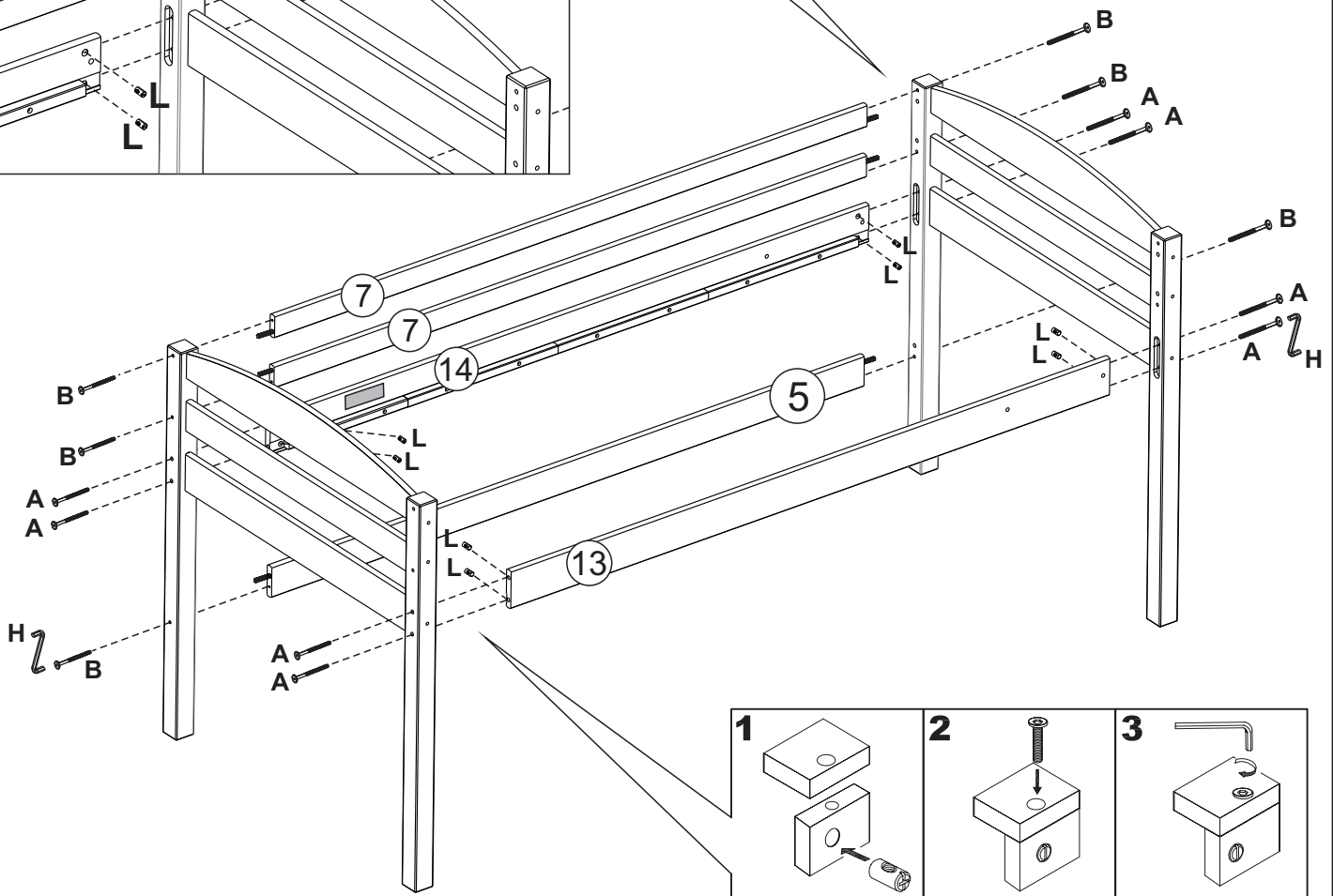
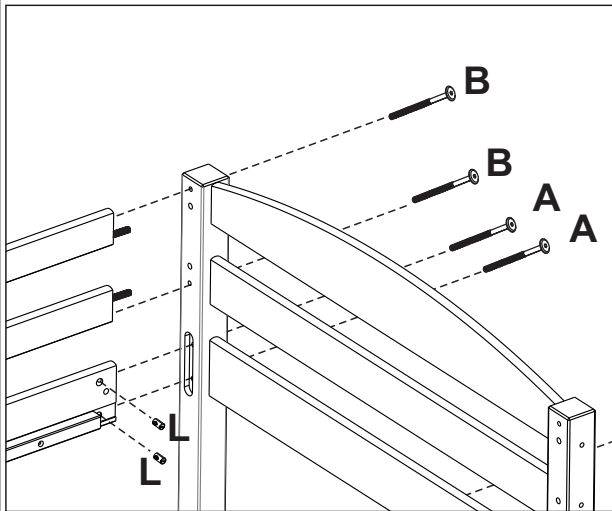
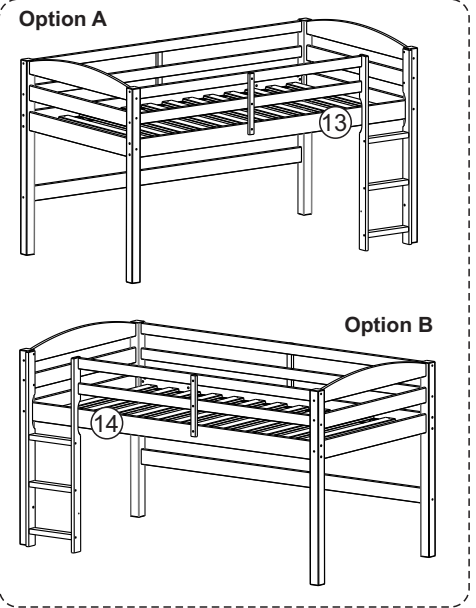
Step 5

Select Ladder Position A or B:

Option A will use bed rail (13) in the front position.

Option B will use bed rail (14) in the front position.

A	 1/4x90mm	08
B	 7x100mm	06
H	 Hex Key	01
L	 NUT 1/4	08



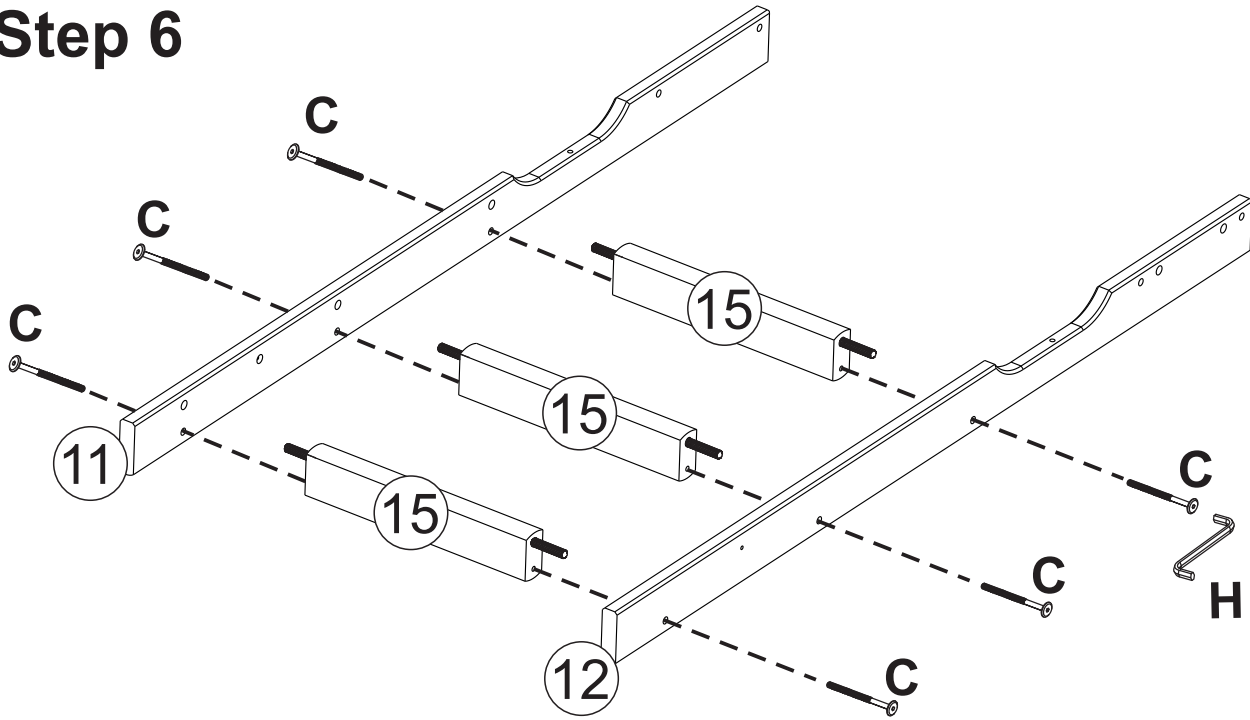
Insert barrel nuts (L) into bed rails (13,14) Attach bed rails (13,14) to legs (1,2) using bolts (A) and Hex Key (H).

Connect guard rails (7) to legs (1,2) using screws (B) and Hex Key (H).

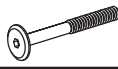

Connect guard rails (7) and bed rails (13,14) to legs (3,4) using screws (B) and bolts (A) and Hex Key (H). DO NOT TIGHTEN FULLY UNTIL END OF PROCESS.

Connect lower guard rail (5) to legs (2,4) using screws (B) and Hex Key (H).

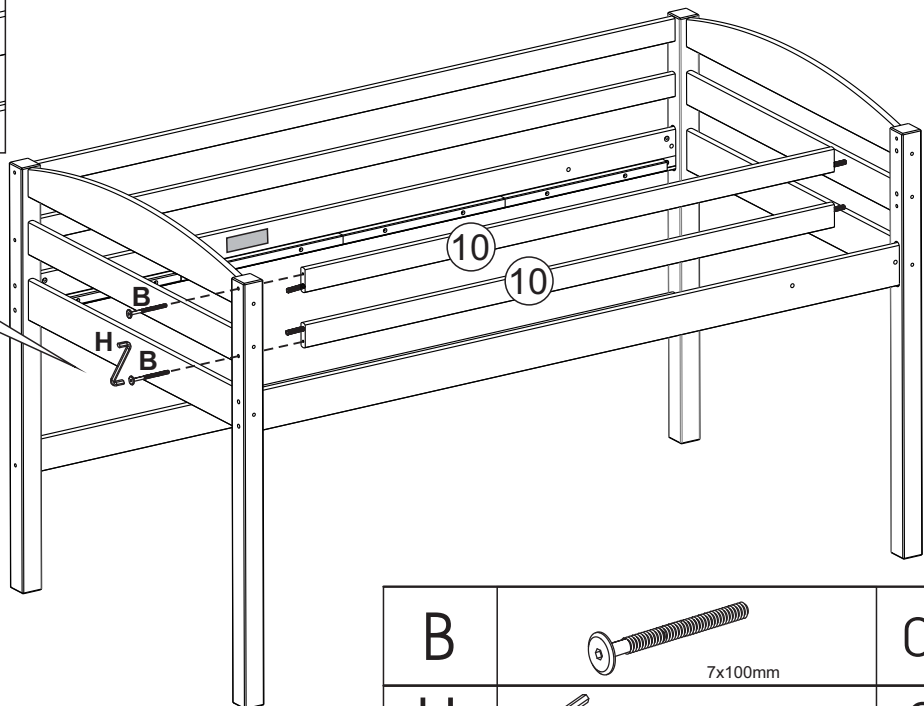
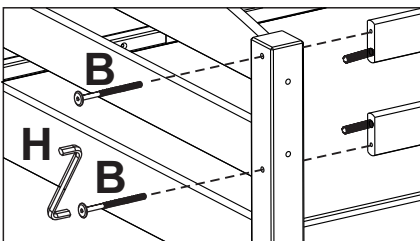
Step 6

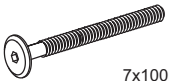
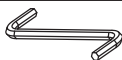


To build the ladder, attach ladder side rail(11,12) to ladder rungs (15) using wood screws (C) and Hex Key (H).

C	 7x50mm	06
H	 Hex Key	01

Step 7




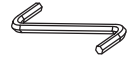
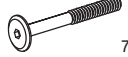

B	 7x100mm	02
H	 Hex Key	01

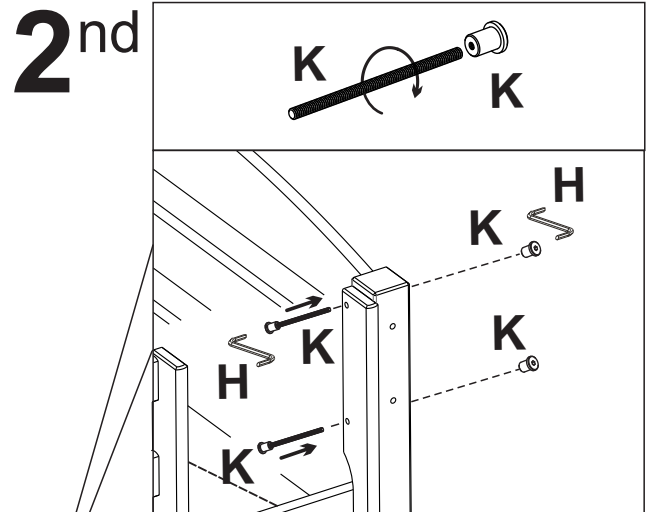
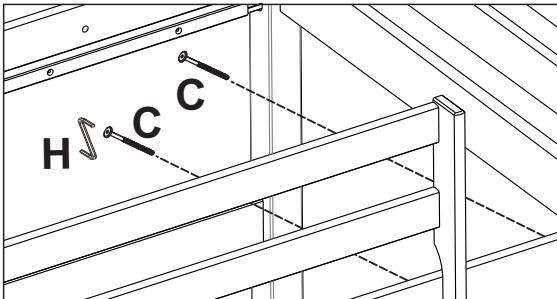
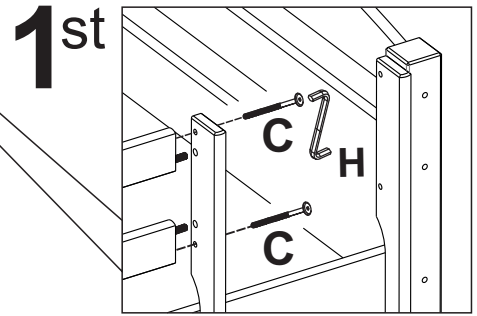
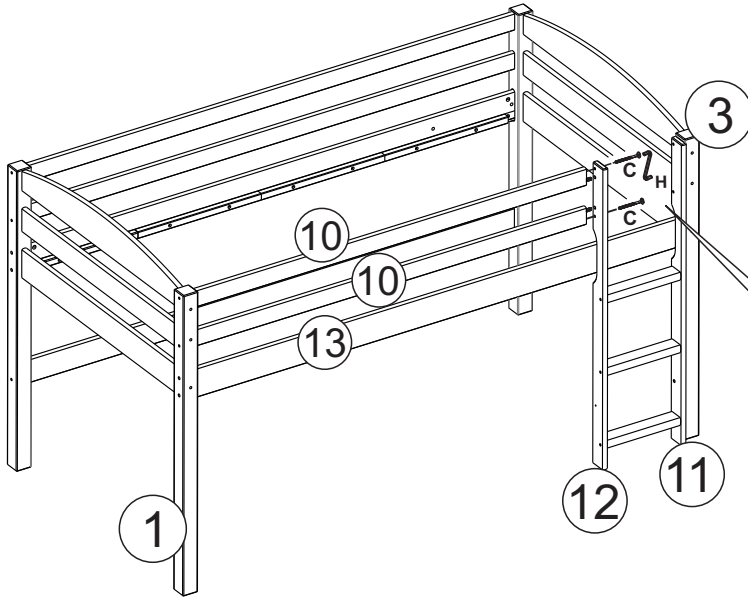
(Option A shown)

Option A: Connect guard rails (10) to leg (1) using screws (B) and Hex Key (H).

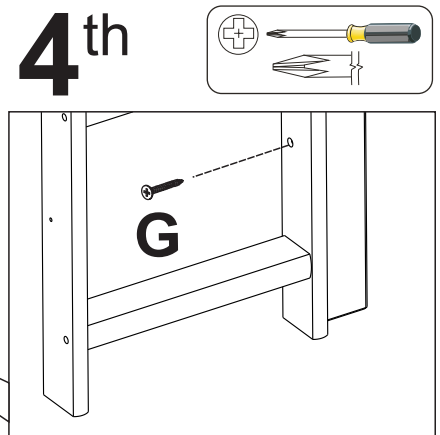
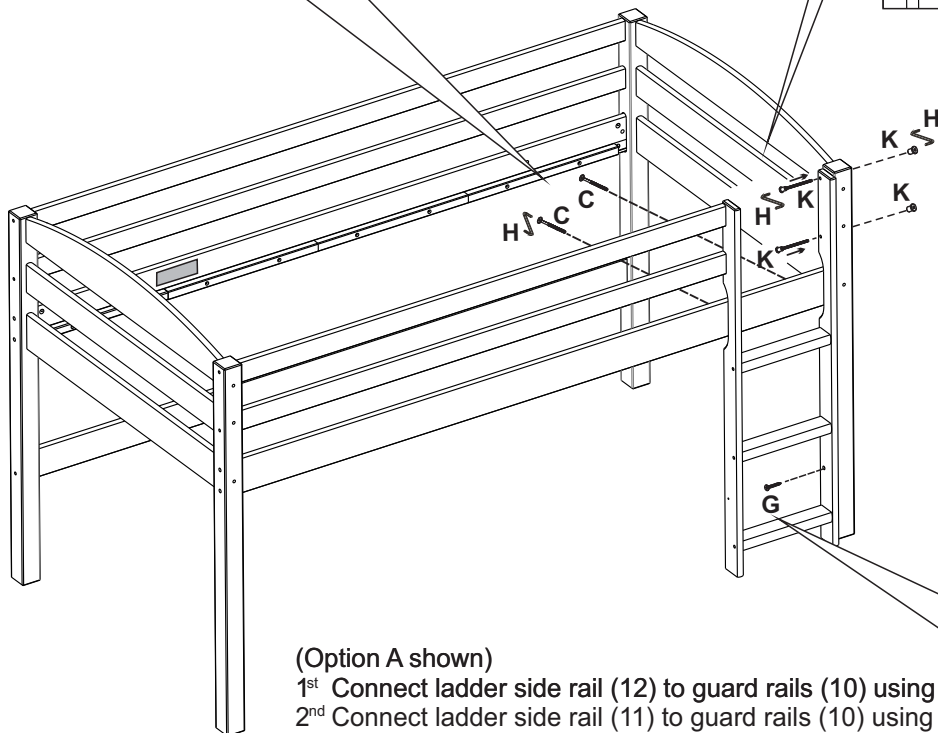
Option B: Connect guard rails (10) to leg (3) using screws (B) and Hex Key (H).

Step 8

K	 Haste 55mm	02
H	 Hex Key	02
C	 7x50mm	04
G	 4.0x35mm	01



3rd



(Option A shown)

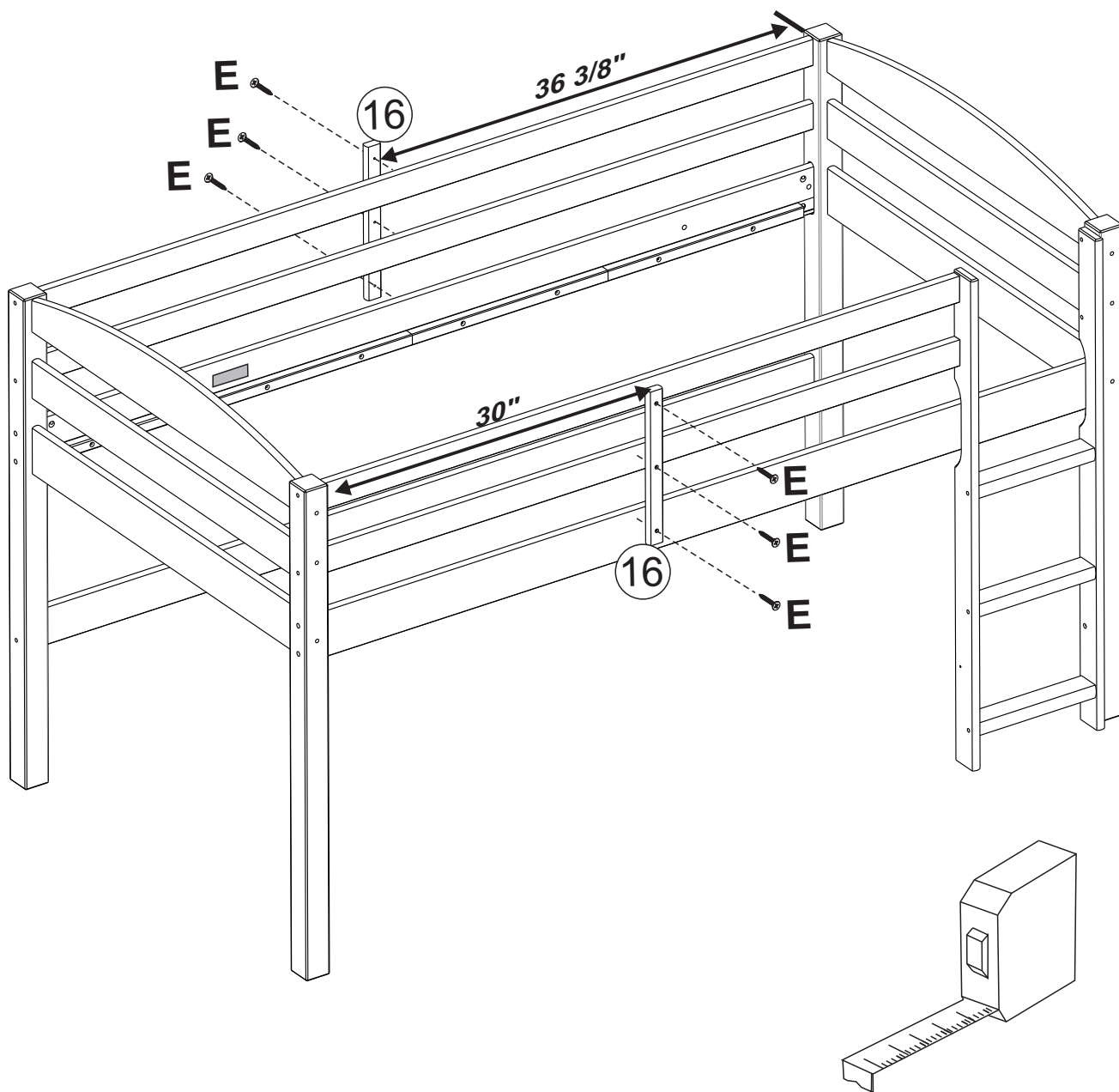
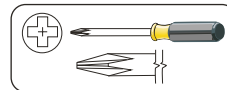
1st Connect ladder side rail (12) to guard rails (10) using screws (C) and Hex Key (H).

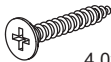
2nd Connect ladder side rail (11) to guard rails (10) using screws (C) and Hex Key (H).

3rd Connect ladder side rail (11,12) to bed rail (13) using screws (C) and Hex Key (H).

Use screw (G) to secure lower ladder side rail to leg (3)

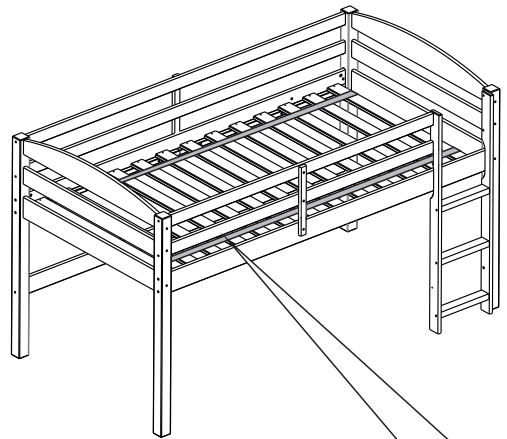
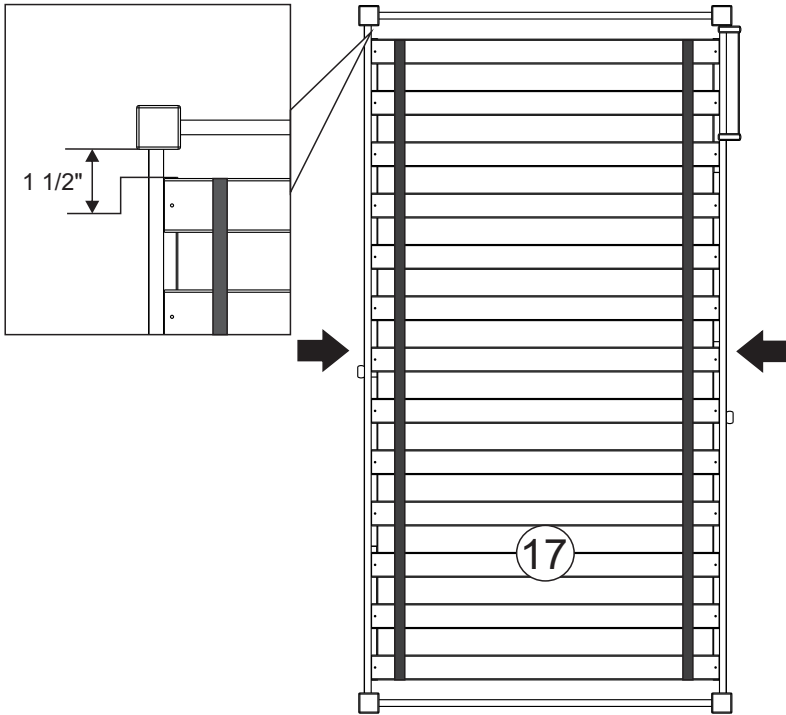
Step 9



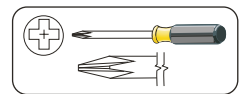
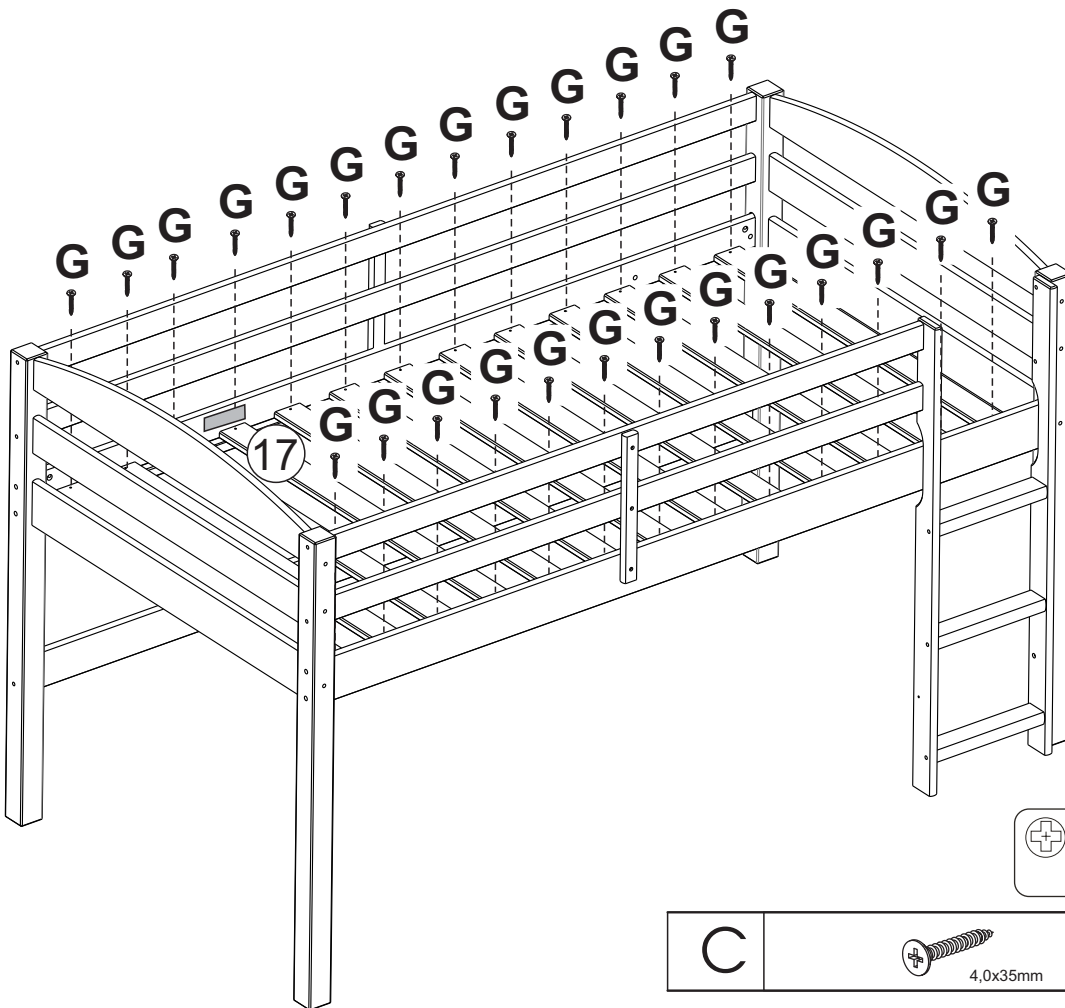
E	 4,0x30mm	06
---	---	----

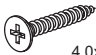
Connect guard rail support (16) to guard rail (7,10) and bed rail (13,14) using screw (E). Follow measurements shown in diagram.

Step 10



Install slat kit with spacer tape on top (Facing up).



C	 4,0x35mm	26
---	--	----

Install slat kit (17) to bed rails with screws (G). Spacer tape will face up.