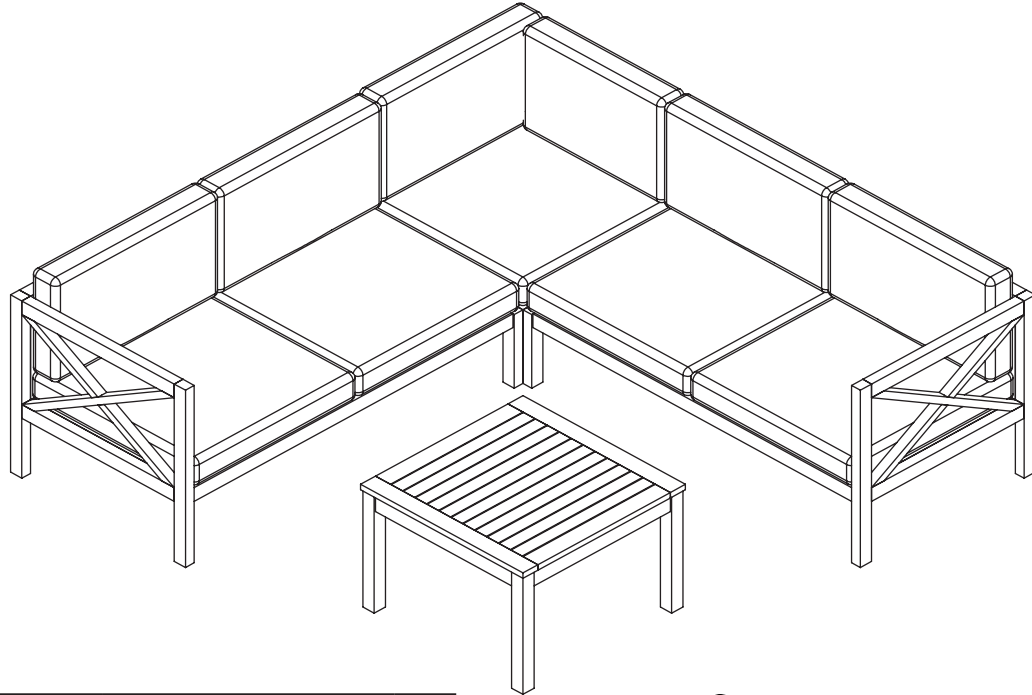
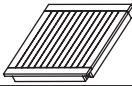
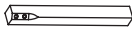
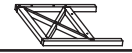



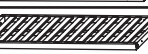



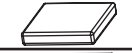






EDISTO ACACIA CONVERSATION SET


Review all assembly and care information before using this product. Save this manual for future reference.





Assemble components on a soft, clean surface to avoid damaging the finish.



No.	PARTS		QTY.
A		Table Top	1
B		Table Leg	4
C		Right Panel (R/C)	2
D		Left Panel	1
E		Left Leg	2
F		Right Leg	1
H		Lounge Backrest (L/R)	2
J		Lounge Seat (L/R)	2
K		Corner Seat	1
L		Support Bar	1
M		Corner Backrest	1
N		Lounge Seat Cushion	4
O		Corner Seat Cushion	1
P		Long Back Cushion	5
Q		Short Back Cushion	1



Inspect packaging to ensure all parts are accounted for before disposing of packing materials.
 Save the packing slip.

No.	HARDWARE		QTY.
1		JCBC M8x45 Bolt	8
2		Flat Washer	8
3		JCBC M6x35 Bolt	34
5		Hook & Loop Fastener	4

INCLUDED TOOLS



Hex Key x2

NOTE: Save the included tools. Wood expands and contracts with changes in temperature and moisture, which may require hardware to be tightened.



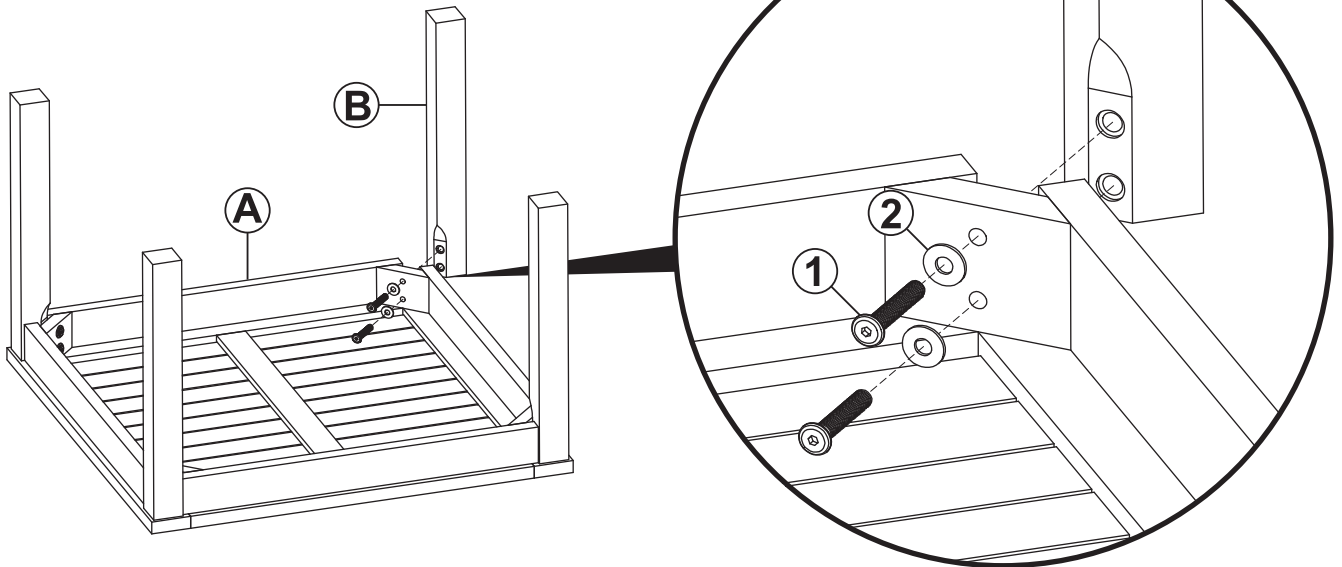
WARNING

CHOKING HAZARD — This item contains small parts that can be swallowed. Keep children and pets away during assembly.

ASSEMBLY

STEP 1

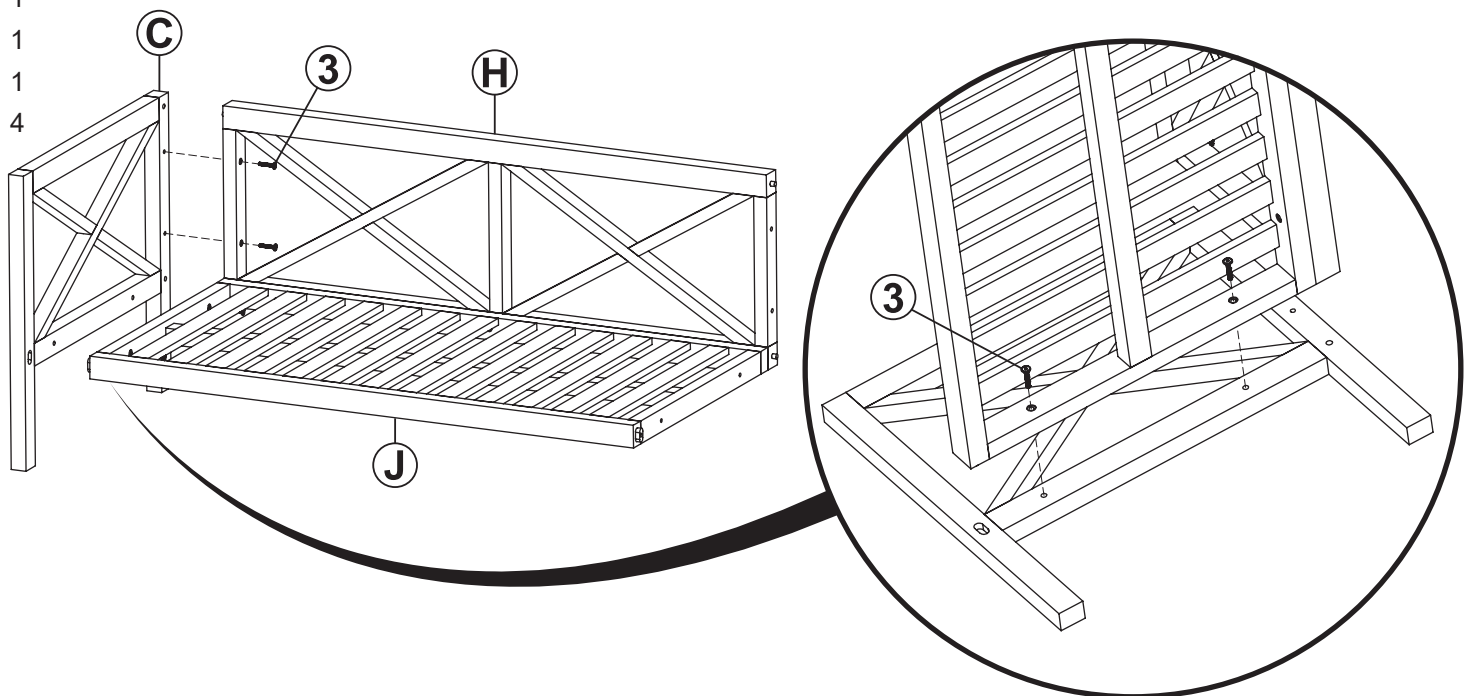
- A: 1
- B: 4
- 1: 8
- 2: 8



Securely fasten Table Leg (B) to Table Top (A) using two JCBC M8x45mm Bolts (1) and Washers (2). Repeat until all legs have been installed.

STEP 2

- C: 1
- J: 1
- H: 1
- 3: 4

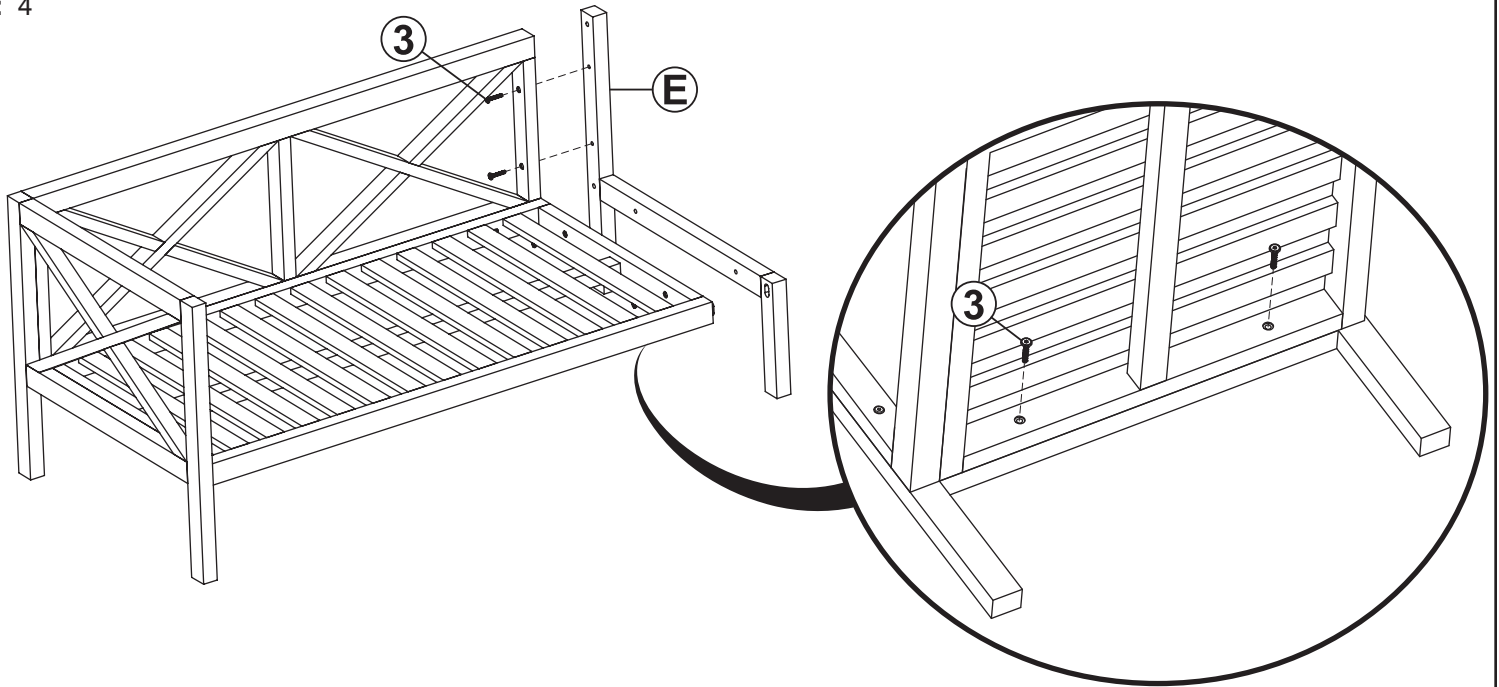


Loosely fasten one Lounger Backrest (H) to Right Panel (C) by hand-tightening two JCBC M6x35mm Bolts (3). Loosely fasten one Lounger Seat (J) to the right panel by hand-tightening two JCBC M6x35mm Bolts (3).

STEP 3

E: 1

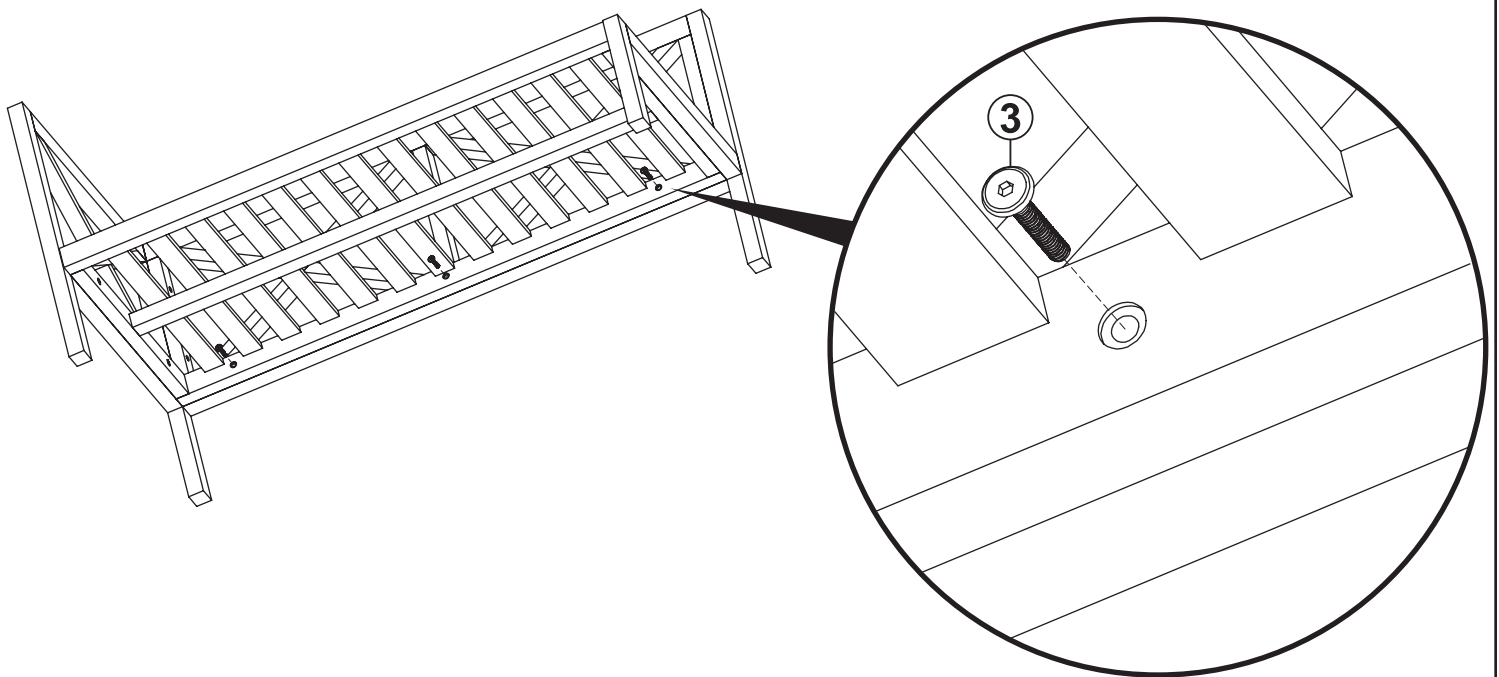
3: 4



Loosely fasten one Left Leg (E) to the backrest and seat by hand-tightening four JCBC M6x35mm Bolts (3).

STEP 4

3: 3



Secure the underside of the lounger seat to the backrest using three JCBC M6x35mm Bolts (3).
Finish tightening all bolts.

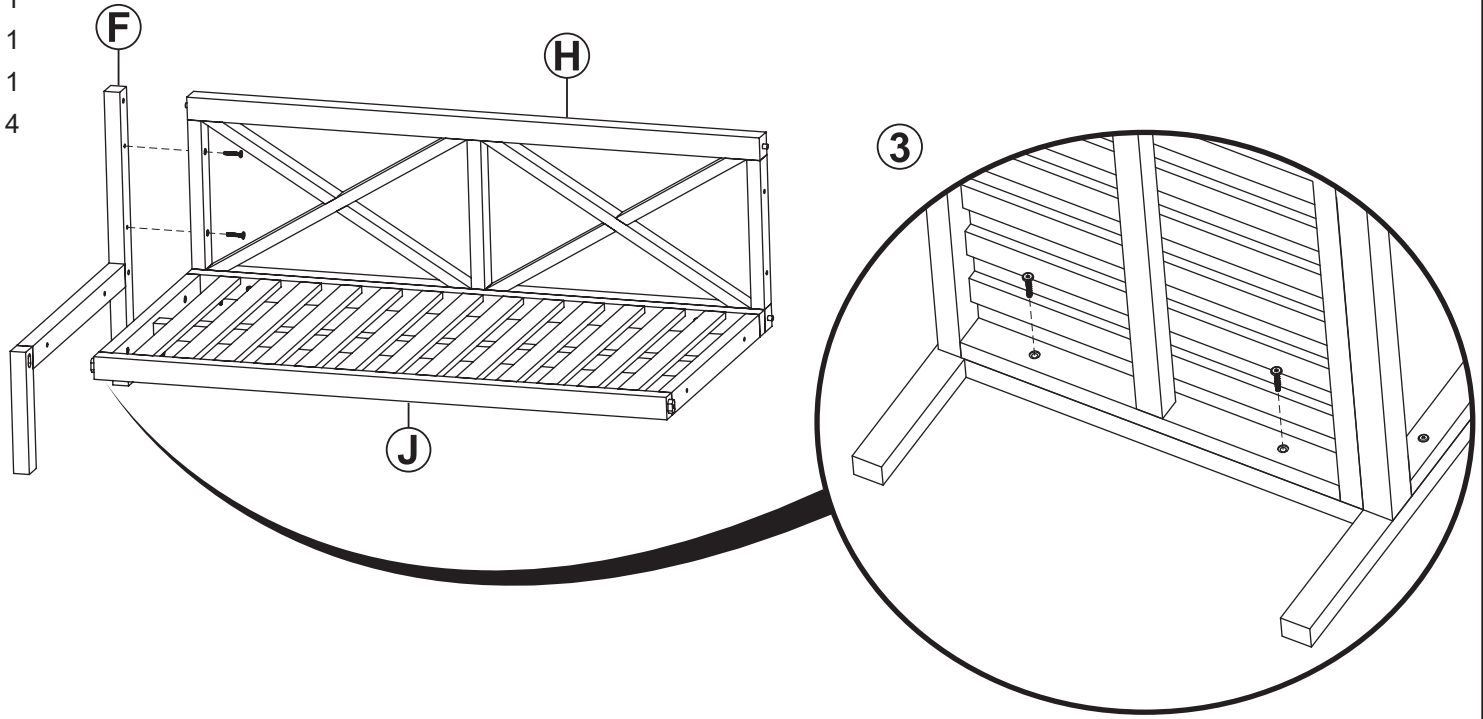
STEP 5

F: 1

H: 1

J: 1

3: 4

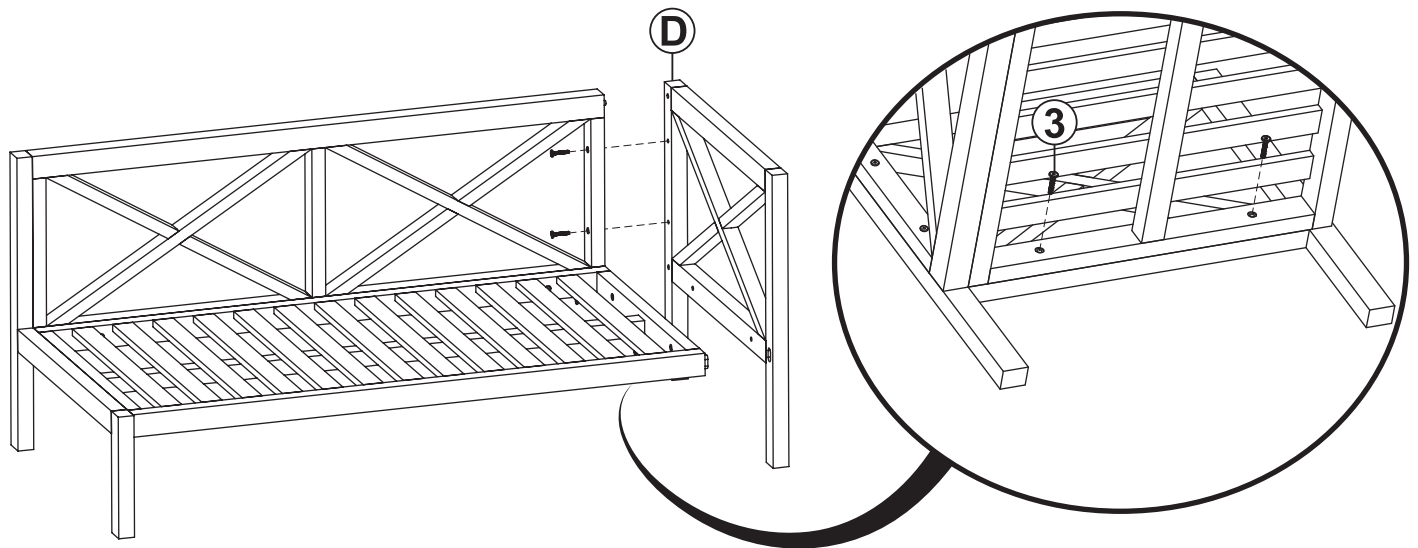


Loosely fasten one Lounge Backrest (H) to Right Leg (F) by hand-tightening two JCBC M6x35mm Bolts (3).
Loosely fasten one Lounge Seat (J) to the right leg by hand-tightening two JCBC M6x35mm Bolts (3).

STEP 6

D: 1

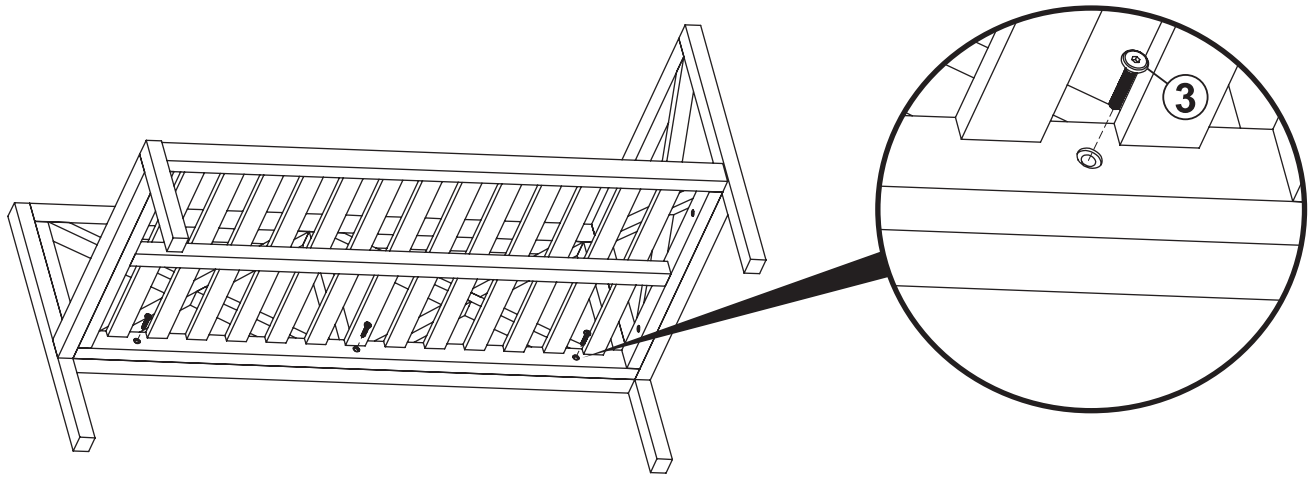
3: 4



Loosely fasten the backrest and seat to Left Panel (D) by hand-tightening four JCBC M6x35mm Bolts (3).

STEP 7

3: 3



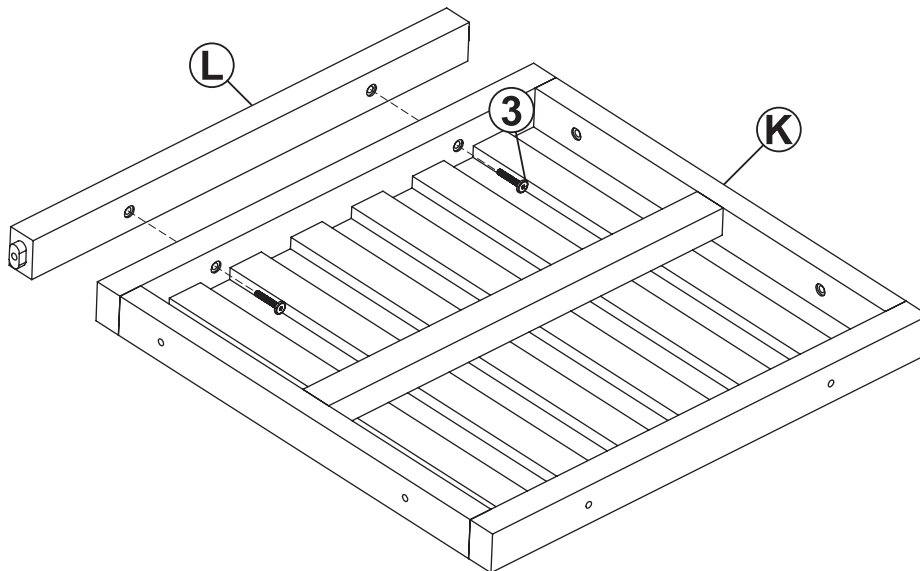
Secure the underside of the lounge seat to the backrest using three JCBC M6x35mm Bolts (3).
Finish tightening all bolts.

STEP 8

K: 1

L: 1

3: 2



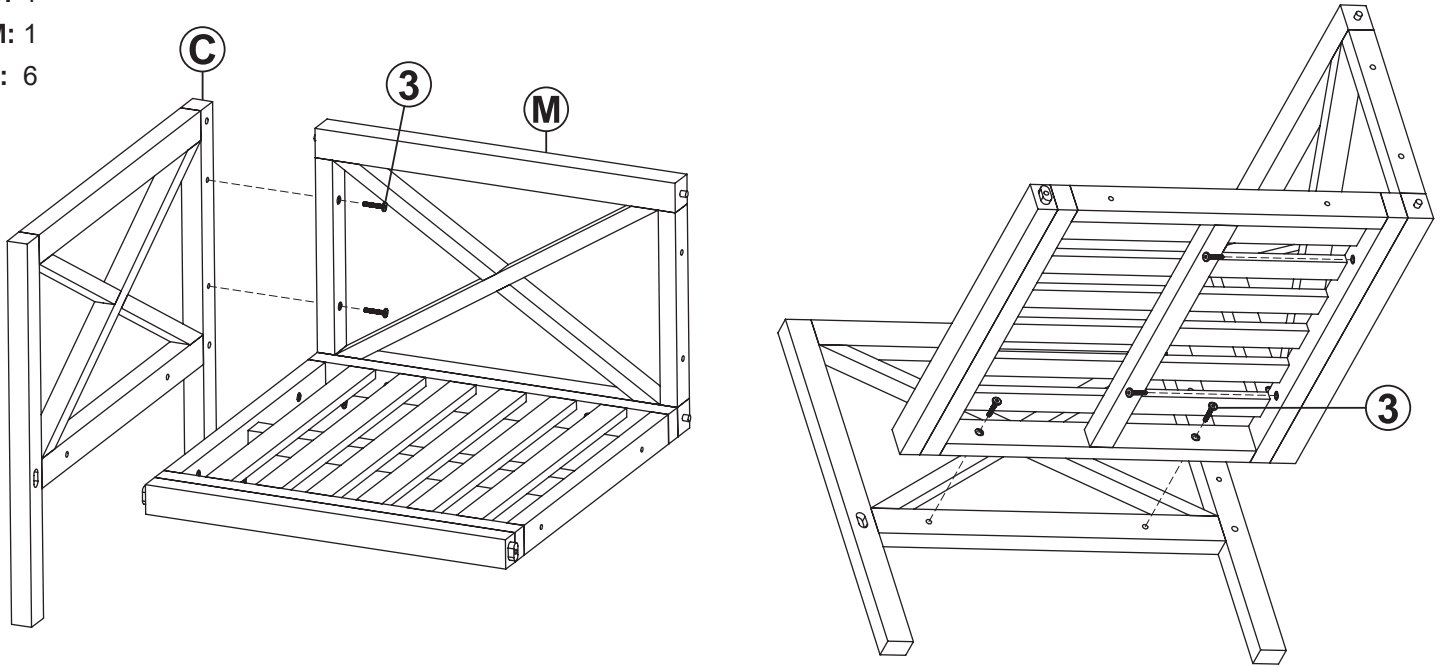
Secure Support Bar (L) parallel to the center crossbar of Corner Seat (K) using two JCBC M6x35mm Bolts (3).

STEP 9

C: 1

M: 1

3: 6



Loosely fasten Corner Backrest (M) to Right Panel (C) by hand-tightening two JCBC M6x35mm Bolts (3).

Loosely fasten Corner Seat (K) to the right panel by hand-tightening two JCBC M6x35mm Bolts (3).

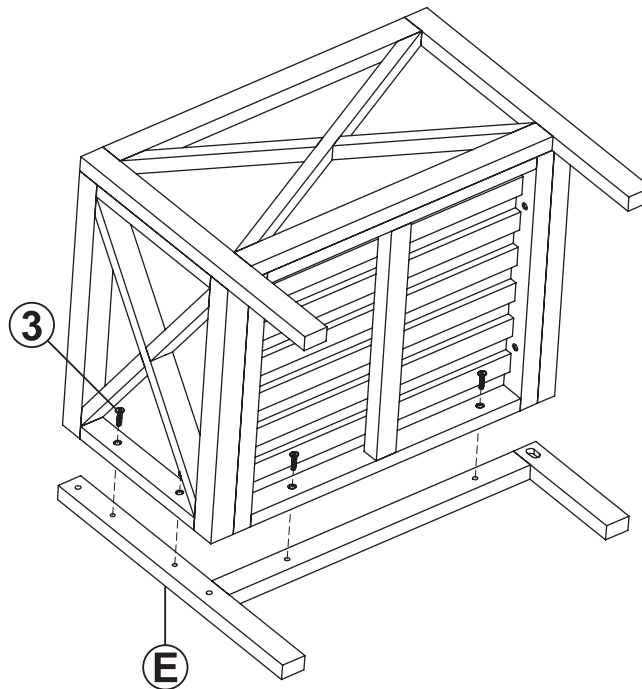
Fasten the back of the corner seat to the backrest using two JCBC M6x35mm Bolts (3).

Finish tightening all bolts.

STEP 10

E: 1

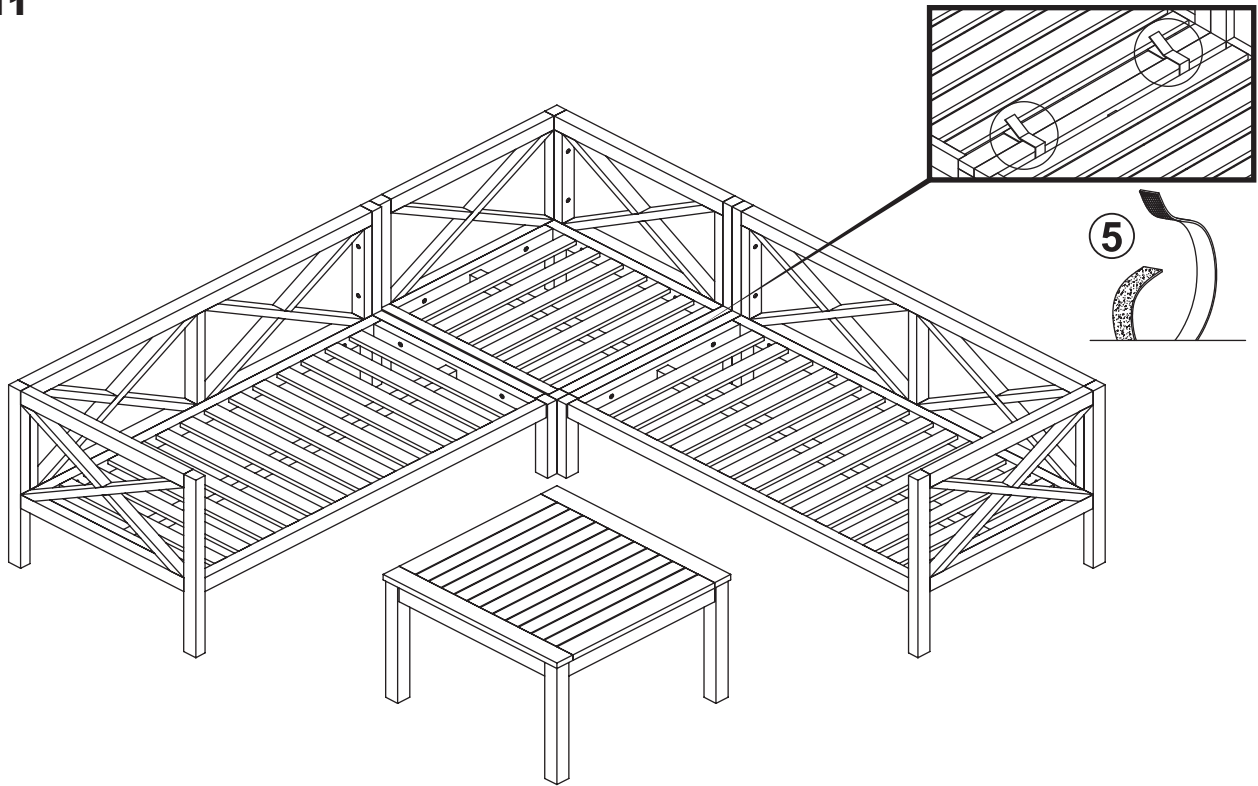
3: 4



Securely fasten Left Leg (E) to the corner backrest and seat using four JCBC M6x35mm Bolts (3).

STEP 11

5: 4



Align the loungers with the corner seat.

Secure the chair to the loungers using two Hook & Loop Fasteners (5) on each side of the seat, as shown.

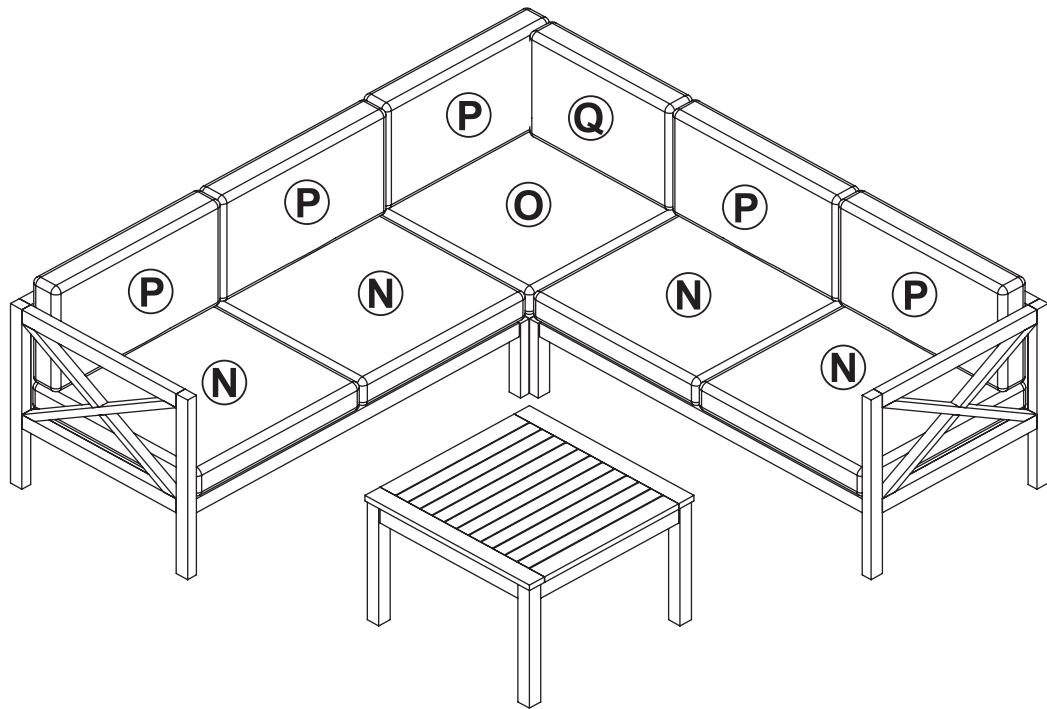
STEP 12

N: 4

O: 1

P: 5

Q: 1



Ensuring the corner seat cushion and short back cushion are used on the corner seat, place Corner Seat Cushion (O), Lounger Seat Cushions (N), Long Back Cushions (P), and Short Back Cushion (Q) onto the set, as shown.

Care & Maintenance

SAFE USE: Use on a flat, level surface. Do not exceed the weight capacity. Do not stand or climb on the unit.

EXPOSURE: Over time, sunlight and weather elements will cause the wood to oxidize, turning it to a silvery gray color. Additionally, long-term exposure to sun, rain, and high humidity may cause wood swelling. Stress caused from swelling can lead to splitting or cracking, cause hardware to loosen, and glued joints to fail. Maintenance is required to keep acacia furniture in tip-top condition.

INSPECT: Periodically check assembly points and tighten fittings as necessary.

CLEANING: Identify the direction of the woodgrain. Following the direction of the woodgrain, wipe surfaces with a soft, dry cloth. Do not use harsh chemicals, abrasive materials, or a pressure washer to clean the unit.

CARE & STORAGE: Protect this item from inclement weather, especially ice and snow. Move to a dry indoor location when not in use. Covering while in storage is recommended to help prevent dust build-up.

MAINTENANCE: If left untreated, the wood may weather. To maintain the appearance, apply a suitable penetrating wood oil (not included) at least once per year or when the wood looks particularly dry.

Before applying a suitable wood oil, clean the unit and bring it into a warm, dry, indoor location. Allow the furniture to dry thoroughly before applying oil; drying may take several days. Only apply oil to wooden surfaces. Apply oil as directed by the wood oil manufacturer.

WARNING: THE ONE-YEAR WARRANTY DOES NOT COVER DAMAGES OR DEFECTS CAUSED BY THE APPLICATION OF CHEMICAL TREATMENTS, PROTECTIVE COATINGS, OR CLEANING PRODUCTS.

SAFETY STATEMENTS & WARNINGS

- Do not exceed the weight capacity.
- Do not stand on the chair or loungers.
- Do not sit or stand on the table.
- Inspect hardware often and tighten as necessary.
- Do not put hot items on or near furniture.
- Do not use this item in the proximity of open flame or flammable/combustible chemicals.
- Keep this unit a safe distance from heat sources such as fire pits, patio heaters, and grills.
- Do not use harsh chemicals or abrasive materials to clean this unit.
- This product is for residential use only; institutional or commercial use will void this warranty.

Any modification to the product or failure to follow recommended care will void the product warranty.

If you experience issues with assembly or the product was damaged during shipping, please contact our customer service team through one of the methods mentioned at the top of page 1. Please have the item number and order information ready to expedite response time.

WARNING:

Manufacturer and seller expressly disclaim any and all liability from personal injury, property damage or loss, whether direct or indirect, or incidental, resulting from the incorrect attachment, improper use, inadequate maintenance, or neglect of this product.