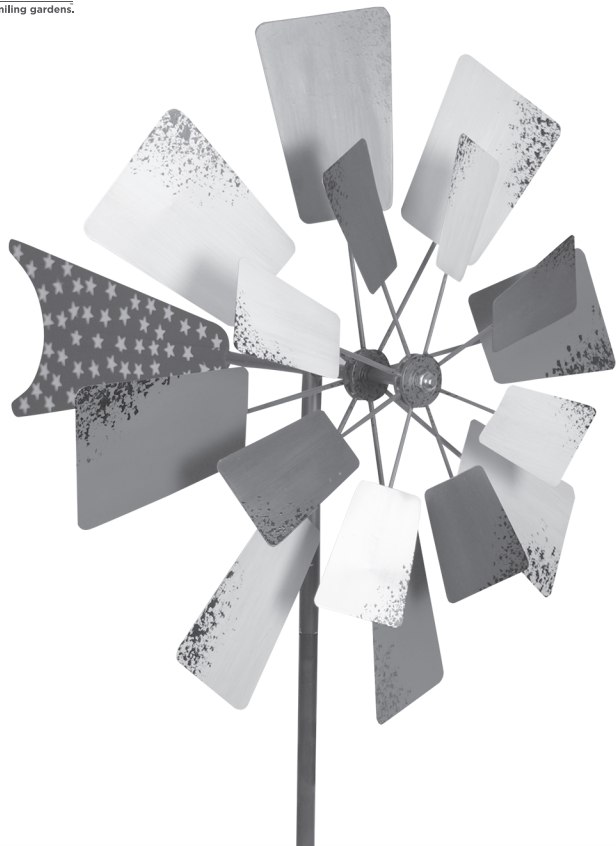


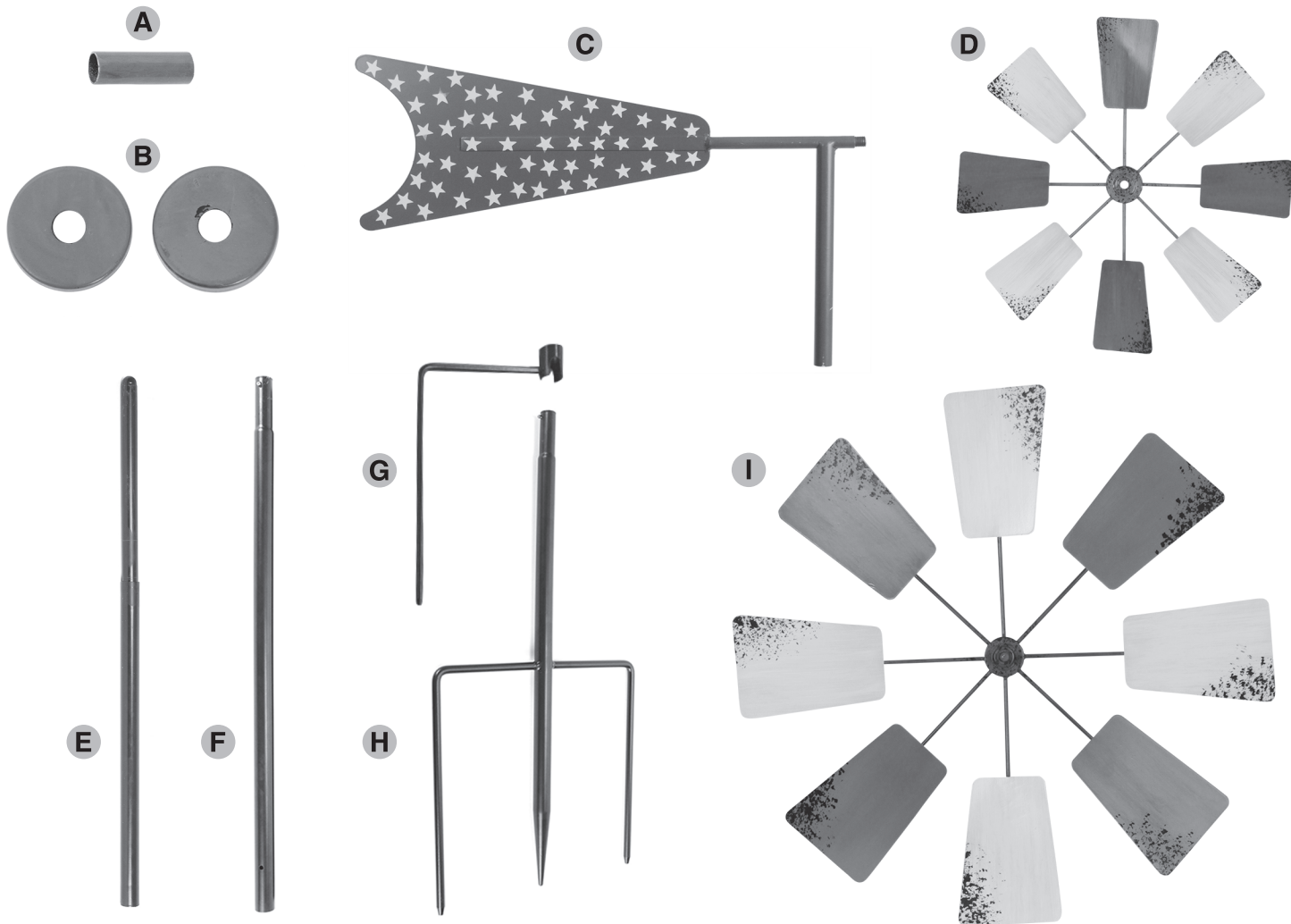
# Large Kinetic Windmill Garden Stake

## Assembly Instructions

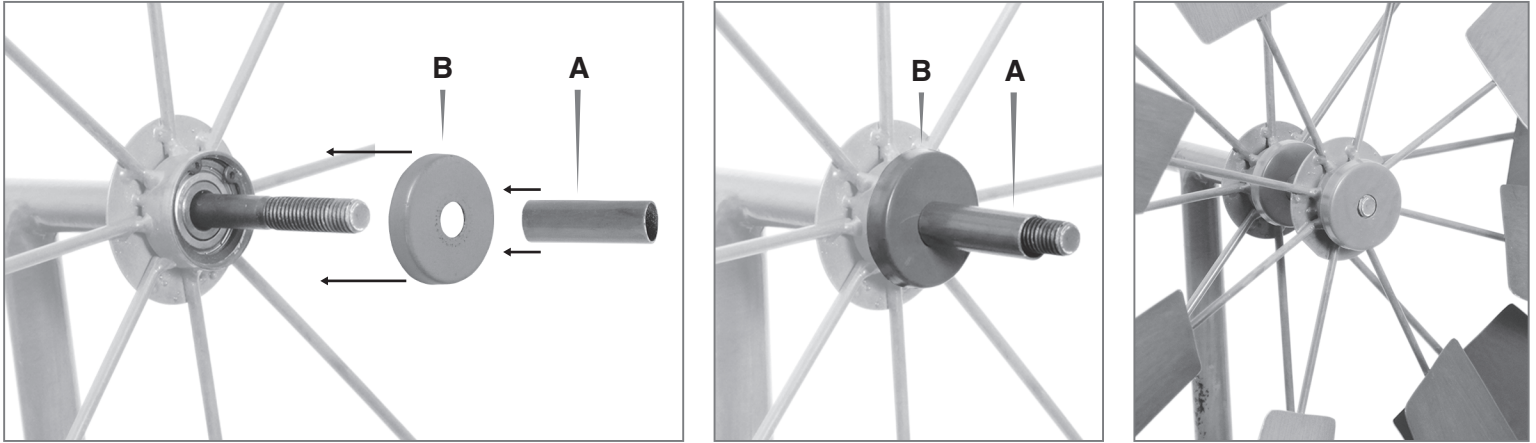


### Parts List

- A. Barrel
- B. Cap Nut (2)
- C. Fin
- D. Small Wheel
- E. Top Pole
- F. Middle Pole
- G. Stake Support
- H. Stake Base
- I. Large Wheel

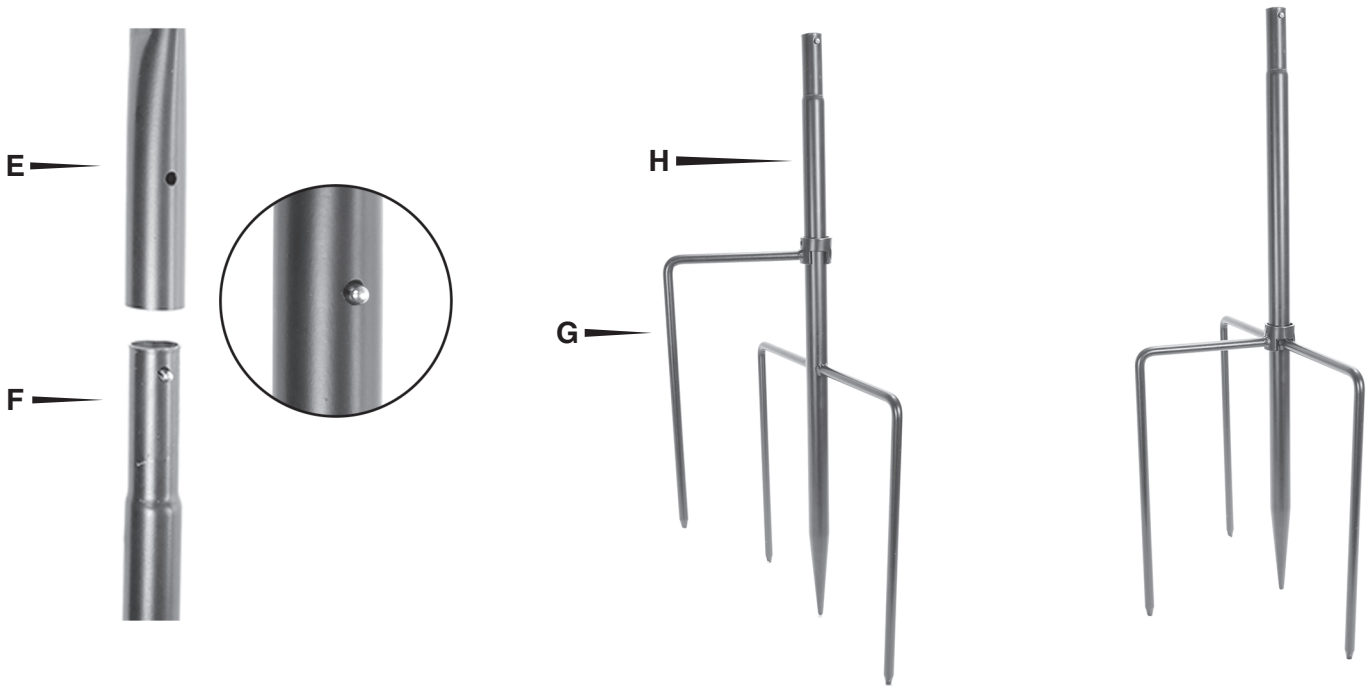


1. Attach large wheel (I) face-out on fin (C) by inserting threaded portion through center hole of wheel. Next, screw on cap nut (B) by turning it to the right until it is firmly tightened and then slide on barrel (A). Repeat this process (except barrel) to attach the small wheel (D).



**Lay assembly on the ground for the following steps.**

2. Attach top pole (E) to fin (C) by inserting the top pole directly into the bottom of the fin. Then, slip the middle pole (F) into the bottom of the top pole (E) until button locks. Next, slide in stake support (G) over the stake base (H). Finish assembly by slipping in the stake base (H) to the open end of that last pole attached until bottom locks. When everything is assembled, insert into ground and make sure it is standing straight.



*FOR DECORATIVE USE IN THE GARDEN. NOT TO BE GIVEN TO CHILDREN AS TOY.*  
© 2017 Exhart - Chatsworth, CA 91311. • Made in China / Fabrique en Chine. All Rights Reserved.

**For help please call 1-(800) 775-5503**  
**www.exhart.com**