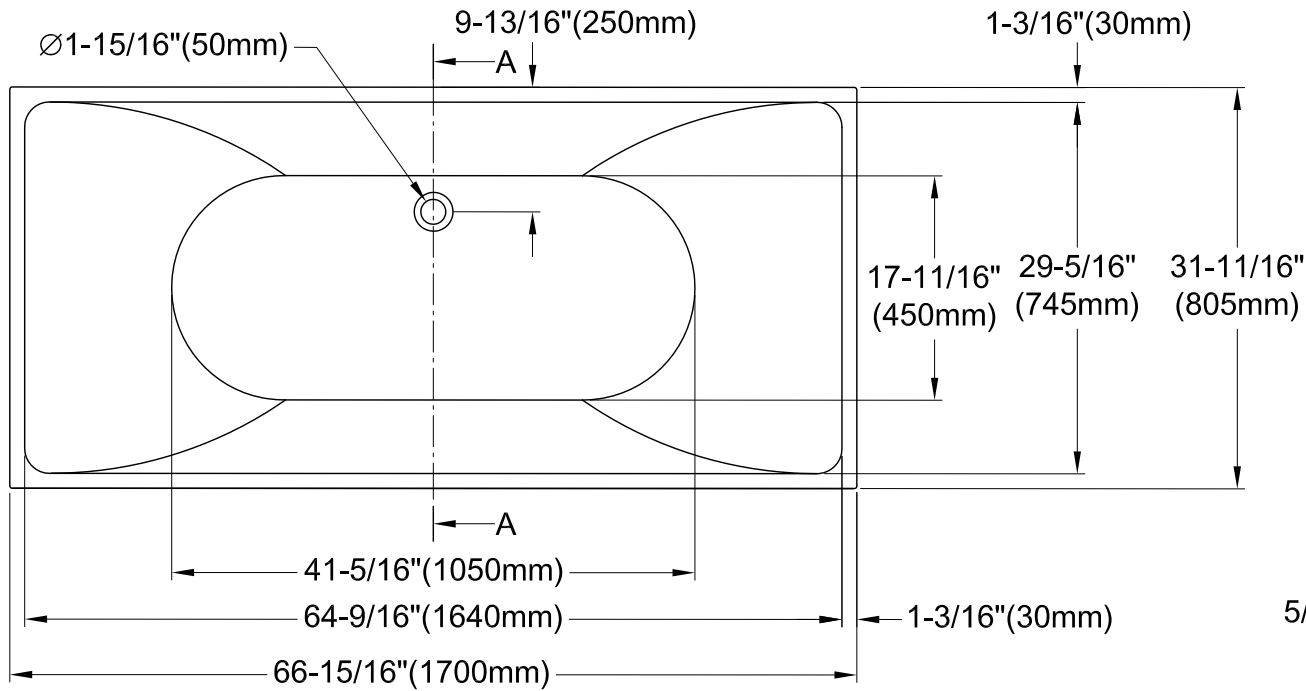
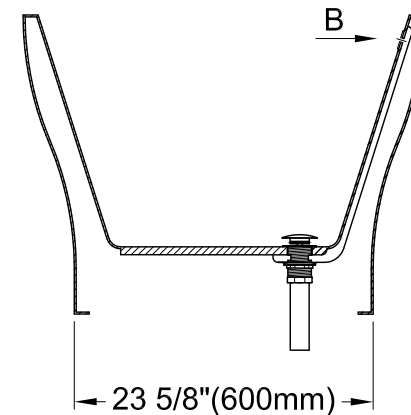
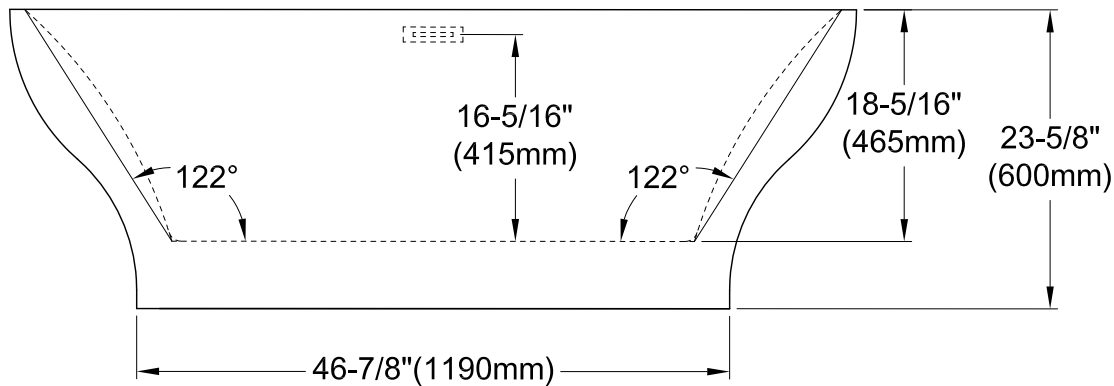
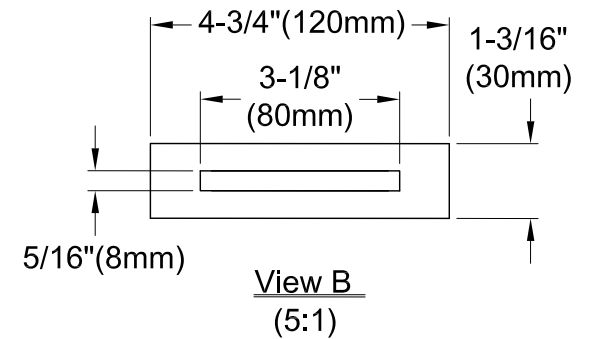
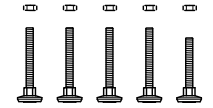


VTSQ673223

67" Acrylic Tub With Overflow & Pop-up Drain



M14 x 120 (4 pcs)
M14 x 100 (1 pc)



Section A-A

Ref# VTSQ673223 | 2018-03-A