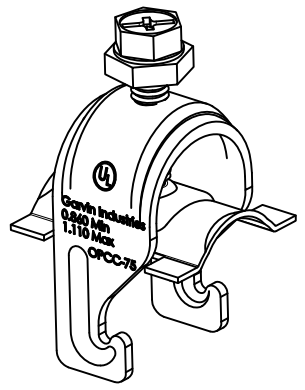
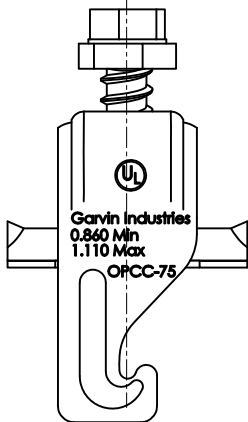
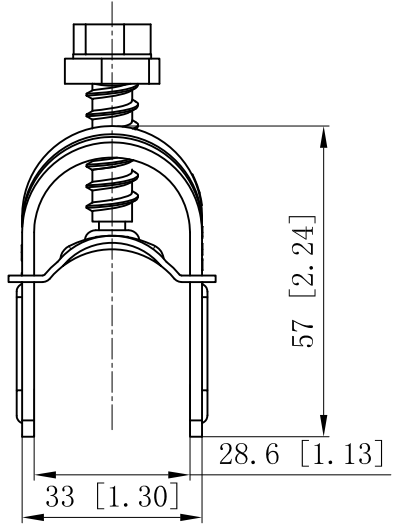
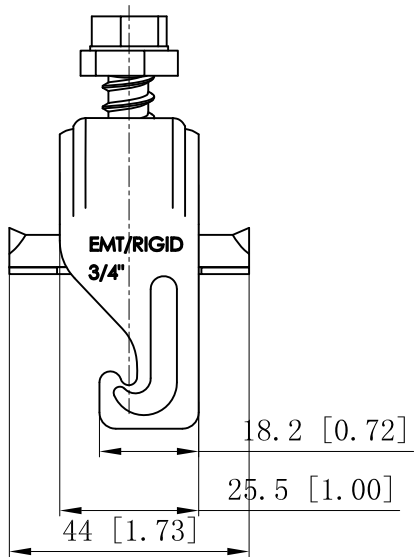
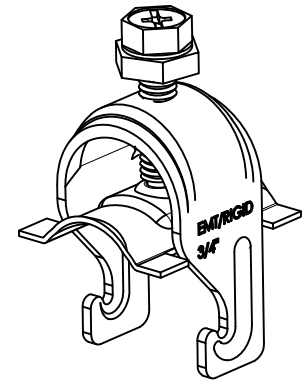
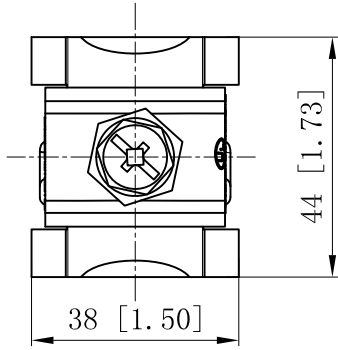


SIDES	BOTTOM
1 PCS #5/16-18 Hex Nut Installed	
1 PCS #5/16-18×1-1/4 Screws Installed	
Material:Steel-0.0866"-G60 Galvanized	



This data sheet is for reference only .GARVIN INDUSTRIES reserves the right to make changes to the design without prior notice.

DESCRIPTION
TRADE REFERENCE TERMS

STANDARD PACKING

TITLE		
GARVIN INDUSTRIES		
One Piece Strut Clamp		
SIZE	DWG NO.	REV
A4	OPCC-75	
DATA SHEET		