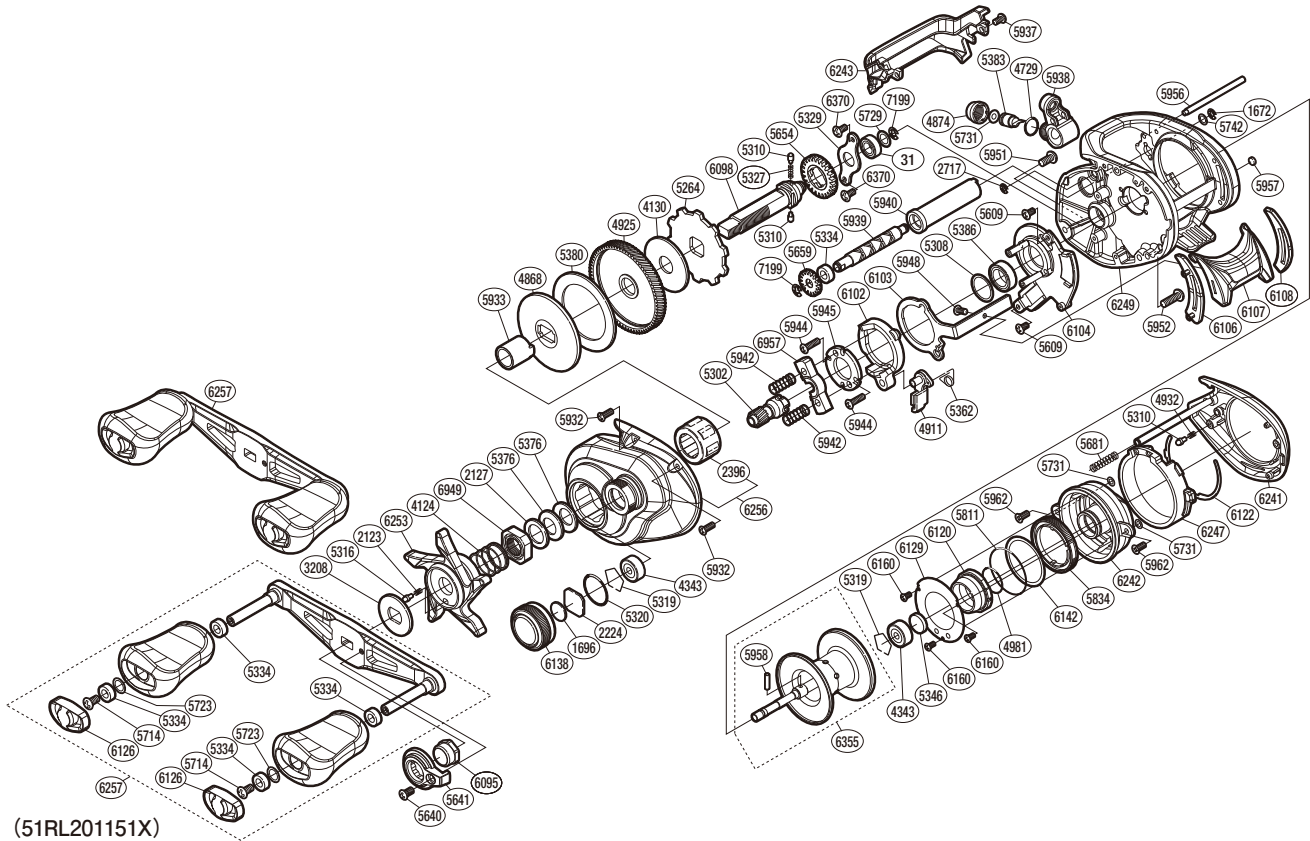


# SHIMANO

## SLX

## SLXXT151HG



(51RL201151X)

#	Part No.	Description	#	Part No.	Description	#	Part No.	Description
0031	105BL	Drive Shaft Bearing	5376	109F5	Drag Spring Washer	5958	10P67	Spool Clutch Pin
1672	105NC	E Lock	5380	10R3D	Drag Washer C	5962	100UL	Screw
1696	10896	Cast Control Spacer B	5383	10BHQ	Line Guide Pawl	6095	10049	Handle Nut
2123	10BT2	Click Spring	5386	10EX6	Ball Bearing	6098	100VZ	Drive Shaft
2127	10J1N	Star Drag Spacer	5609	10LCT	Screw	6102	100W0	Clutch Cam
2224	1085F	Cast Control Spacer A	5640	101VV	Screw	6103	100W5	Clutch Plate
2396	10F5C	Roller Clutch Bearing	5641	10SSK	Handle Nut Plate	6104	10DJ8	Clutch Guard Assembly
2717	105NB	E Lock	5654	101K8	Idle Gear A	6106	10TFB	Clutch Bar Guide B
3208	10J22	Star Drag Click Plate	5659	10SRL	Idle Gear C	6107	10TF9	Clutch Button
4124	10A70	Star Drag Spring	5681	10KNH	Spring	6108	100W3	Clutch Bar Guide A
4130	10CHX	Drag Washer A	5714	10LFA	Screw	6120	10E6U	Brake Pipe Gear Assembly
4343	105C3	Ball Bearing	5723	1003Z	Washer	6122	10E6X	Washer
4729	108WQ	O Ring	5729	1003V	Washer	6126	100NC	Handle Knob Seal
4868	10D3H	Key Washer	5731	1003S	Washer	6129	100HC	Br Dial Retainer Plate
4874	10FJB	Pawl Cap	5742	10S42	Washer	6138	100N8	Cast Control Cap
4911	10MQM	Clutch Pawl Assembly	5811	10CG1	O Ring	6142	10E9M	Washer
4925	10CME	Drive Gear	5834	10055	Brake Dial	6160	10E7R	Screw
4932	10GQZ	Click Spring	5932	10LCY	Screw	6241	10RMY	Right Side Plate Assembly
4981	10LA8	O Ring	5933	100UC	Roller Clutch Inner Tube	6242	10RMZ	Dial Case
5264	10D73	Anti-Reverse Ratchet	5937	100U4	Screw	6243	10RMX	Level Wind Protector
5302	10CSD	Pinion Gear	5938	10DUG	Line Guide Pawl	6247	10T4Q	B Side Plate Cam Lever
5308	10190	Bearing Seal Washer	5939	100U6	Worm Shaft	6249	100DH	Frame
5310	10HJG	Idle Gear Pin	5940	100UF	Level Wind Guard	6253	100DS	Star Drag
5316	10MFC	Click Pin	5942	100U9	Yoke Spring	6256	10RN2	Left Side Plate Assembly
5319	1054D	Bearing Retainer	5944	10LV0	Screw	6257	10RN1	Handle Assembly
5320	10R22	O Ring	5945	100US	Clutch Cam Retainer	6355	10S3K	Spool Assembly
5327	10JDY	Idle Gear Spring	5948	10LF4	Screw	6370	10E23	Screw
5329	109T1	Drive Shaft Retainer	5951	100UU	Screw	6949	10A3U	Star Drag Nut
5334	10PXZ	Handle Knob Bushing B	5952	100UV	Screw	6957	1001Q	Yoke
5346	10EX5	Bearing Spacer	5956	100UT	Stabilizer Bar	7199	105NK	E Lock
5362	10TMC	Clutch Pawl Spring	5957	10DTF	Washer			

Please note that the number of adjusting washers may not be the same as shown in the exploded views.  
(Adjustment will vary with each individual product.)

(230327)\_002