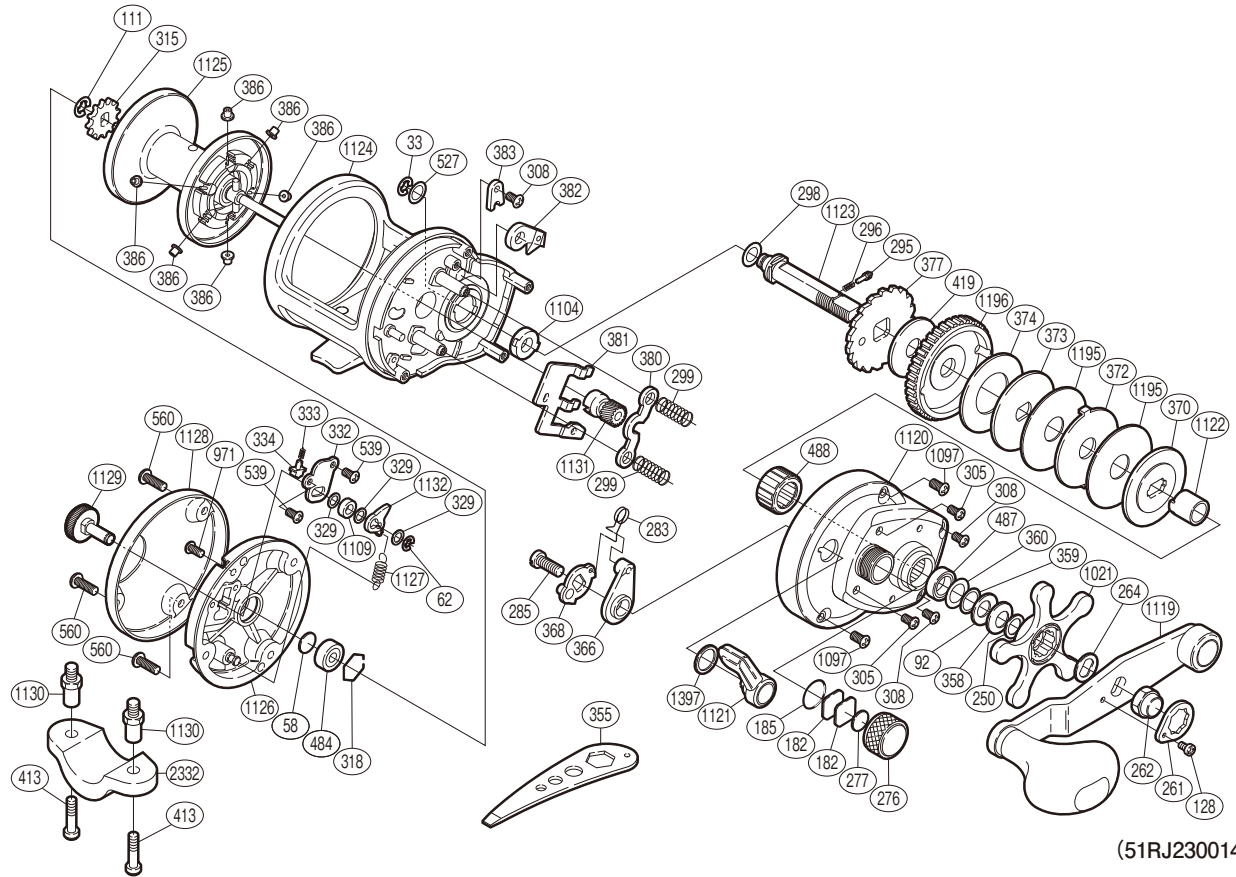


SHIMANO

TORIUM

TOR-14



(51RJ230014U)

#	Part No.	Description	#	Part No.	Description	#	Part No.	Description
33	105NG	E Lock	333	104MT	Click Spring	1097	10L6R	Screw
58	10GEU	Spacer B	334	104B8	Click Spring Holder	1104	10G74	Bushing
62	105NK	E Lock	358	10EW3	Corned Disc Spring (8l)	1109	104TW	Click Pawl Spacer
92	1052E	Corned Disc Spring (8h)	359	105PW	Bearing Thrust Washer	1119	10B4L	Handle Assembly
111	105NJ	E Lock	360	109RF	Bearing Seal	1120	10HM5	Right Side Plate
128	10QG0	Screw	366	10L2B	Eccentric Cam Bushing	1121	10LYT	Clutch Lever
182	105N0	Cast Control Spacer	368	1084G	Clutch Cam	1122	10MB2	Roller Clutch Inner Tube
185	109EB	O Ring	370	10D4Q	Key Washer	1123	109B6	Drive Shaft
250	10BR1	Star Drag Washer	372	10KQH	Eared Washer	1124	10K8F	One-Piece Frame
261	10QL8	Handle Nut Plate	373	10L54	Key Washer	1125	10NSP	Spool Assembly
262	10FT1	Handle Nut	374	10D3B	Drag Washer	1126	10507	Left Side Plate
264	107QQ	Drive Shaft Shield	377	10DAG	Anti-Reverse Ratchet	1127	10NRU	Click Pawl Spring
276	10KTA	Cast Control Cap	380	10483	Yoke	1128	10NX9	Left Side Plate Cover
277	10896	Cast Control Spacer	381	1045H	Yoke Plate	1129	10LGY	Click Button
283	10JYU	Clutch Spring	382	10MW8	Anti-Reverse Pawl	1131	10ALD	Pinion Gear
285	10F8M	Screw	383	10KSK	Anti-Reverse Pawl Keeper	1132	10LET	Click Pawl
295	109ZZ	Click Pin	386	10CPE	Brake Collar	1195	10L8F	Drag Washer
296	10HZ5	Click Spring	419	10CL3	Drag Washer	1196	10QKB	Drive Gear
298	10588	Washer	484	10KAD	Ball Bearing	1397	10AG2	Smoother
299	104BY	Yoke Spring	487	10582	Ball Bearing			
305	103CK	Screw	488	10F5D	Roller Clutch Bearing	413	10A7C	Rod Clamp Bolt (accessory)
308	10LSK	Screw	527	10D66	Washer	1130	10EXE	Rod Clamp Nut (accessory)
315	104F1	Click Gear	539	10QG5	Screw	2332	10EUN	Rod Clamp (accessory)
318	10GGM	Bearing Retainer	560	10M6Z	Screw			
329	109RC	Spacer	971	10LZ9	Screw	355	10MJ2	Wrench (accessory)
332	104B6	Click Spring Retainer	1021	10HMU	Star Drag			

Please note that the number of adjusting washers may not be the same as shown in the exploded views.
(Adjustment will vary with each individual product.)

(241029)_003