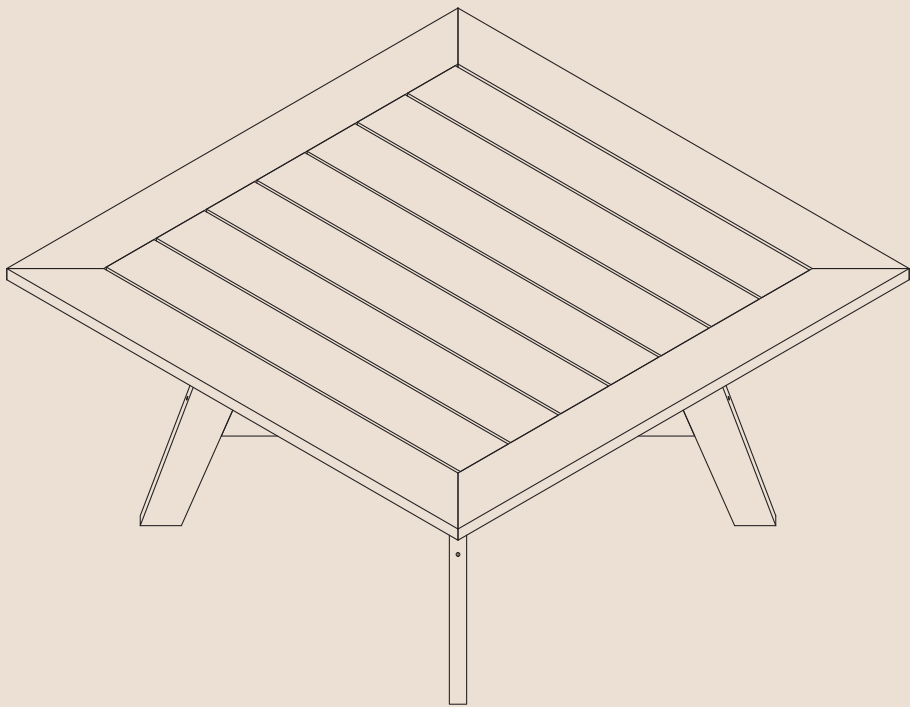


WWT
WESTINTRENDS
WWT

DESIGNED IN CALIFORNIA



— 37" CONVERSATION TABLE —

THANK YOU!

We appreciate you for choosing WestinTrends!

Thank you for letting WestinTrends continue to offer accessible luxury trends, inspired by everyone!

JOIN THE WESTINTRENDS COMMUNITY

Sign up here:

[*https://westintrends.com/welcome*](https://westintrends.com/welcome)



QUESTIONS OR COMMENTS?

If you have questions reach out to
cs@westintrends.com

FOLLOW, SHARE, & LEARN



PRODUCT REGISTRATION

[*https://westintrends.com/apps/product-registration*](https://westintrends.com/apps/product-registration)



ACCESSIBILITY - COMMUNITY - VALUE - SUSTAINABILITY

! CARE & MAINTENANCE

Please keep these instructions for your future reference.

- Be careful when assembling to avoid damaging the plating of the surface.
- Clean the chair with lukewarm water, mild detergent & soft cloth.
- Firmly secure all bolts before use, do not use any part of this item as a step ladder.
- Make sure that all bolts, screws, and nuts are secure every 90 days.
- Do not use or store this item in the proximity of open flame or flammable/combustible chemicals.
- Be aware that some parts are heavy and have sharp edges.
- Do not overtighten screws (insert all screws before tightening screws).

TOOLS REQUIRED



ALLEN WRENCH
(PROVIDED)



WRENCH
(PROVIDED)



300 LBS
CAPACITY



2 PERSON
ASSEMBLY



UP TO 30 MIN.
ASSEMBLY

HARDWARE

1

SCREW
M6 x80mm



13 PCS

2

BOLT
M6 x60mm



8 PCS

3

M6 NUT



8 PCS

4

M6 WASHER



8 PCS

5

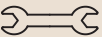
ALLEN
WRENCH



1 PC

6

WRENCH

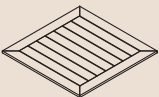


1 PC

PARTS

A

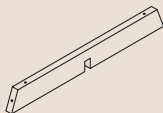
TABLE TOP



1 PC

B

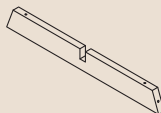
TABLE
SUPPORT BAR



1 PC

C

TABLE
SUPPORT BAR



1 PC

D

TABLE LEG



4 PCS

E

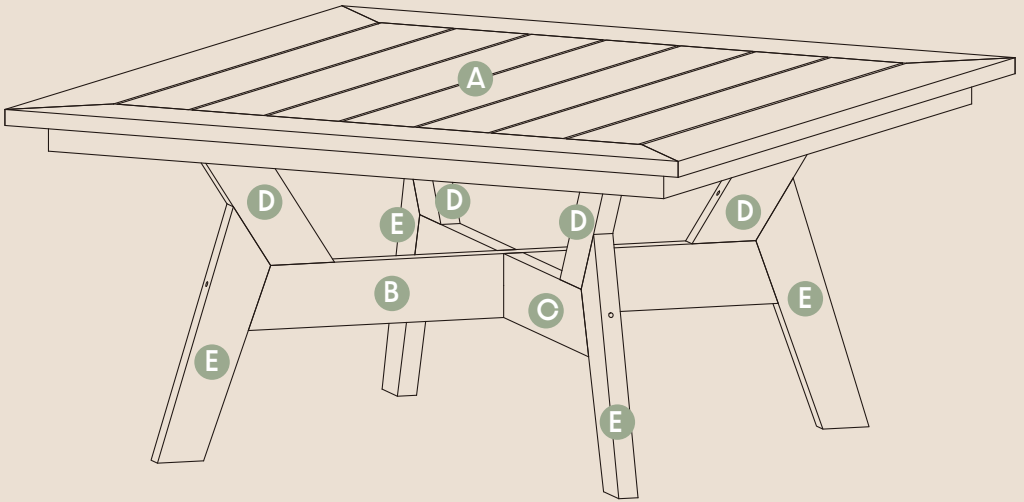
TABLE
BOTTOM FEET



4 PCS

PRODUCT ASSEMBLY - OVERALL VIEW

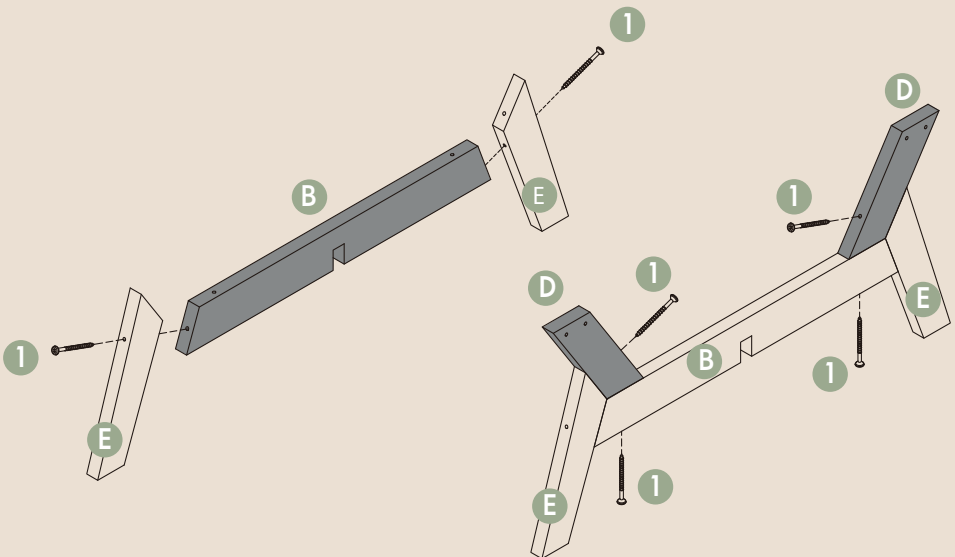
Look at following overall view of this table and learn the exact position of each parts to be assembled.



PRODUCT ASSEMBLY

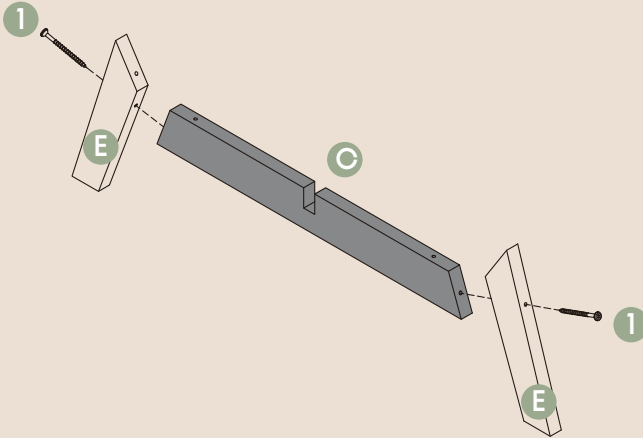
1

Attach **part E Bottom Feet** to **part B Support Bar** with 2 pcs of hardware **#1 Screw**.
Attach **part D Leg** to **part E Bottom Feet** with 2 pcs of hardware **#1 Screw**.
Attach **part D Leg** to **part B Support Bar** with 2 pcs of hardware **#1 Screw**.



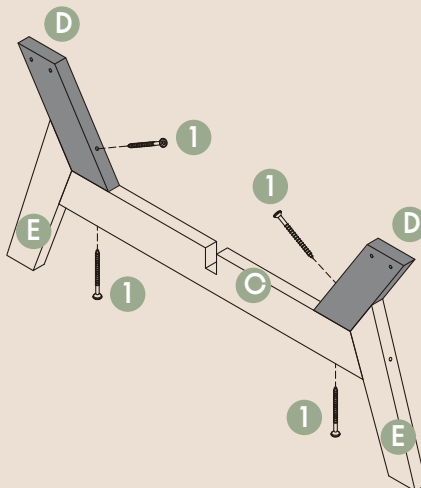
2

Attach **part E Bottom Feet** to **part C Support Bar** with 2 pcs of hardware **#1 Screw**.



3

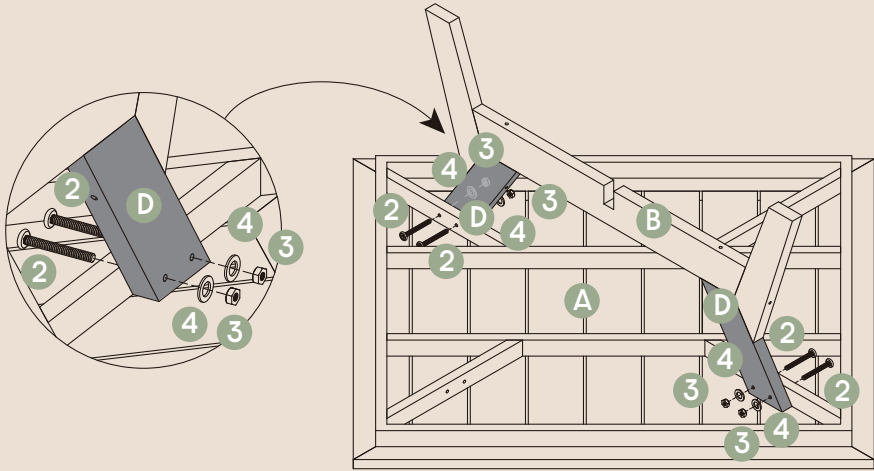
Attach **part D Leg** to **part E Bottom Feet** with 2 pcs of hardware **#1 Screw**.
Attach **part D Leg** to **part C Support Bar** with 2 pcs of hardware **#1 Screw**.



PRODUCT ASSEMBLY

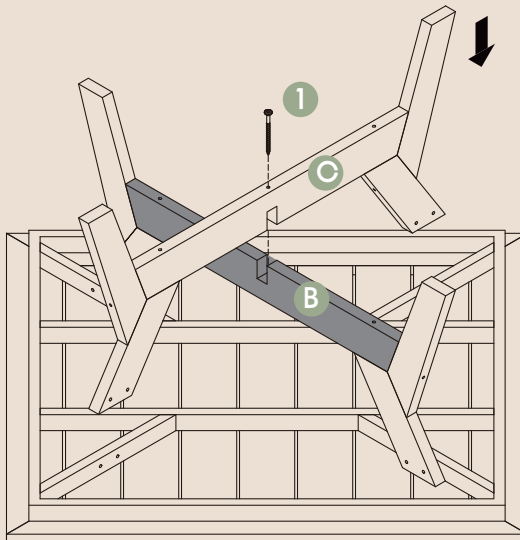
4

Attach **part D Leg** with **Support Bar B** to **part A Table Top** with 4 sets of hardware #2 Bolt, hardware #4 Washer and hardware #3 Nut.



5

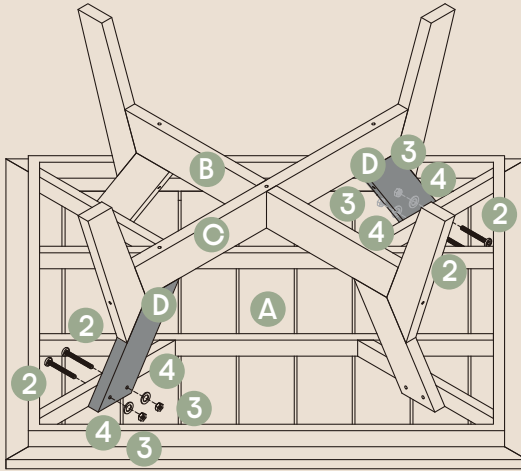
Attach **part C Support Bar** to **part B Support Bar** with 1pcs of hardware #1 Screw.



PRODUCT ASSEMBLY

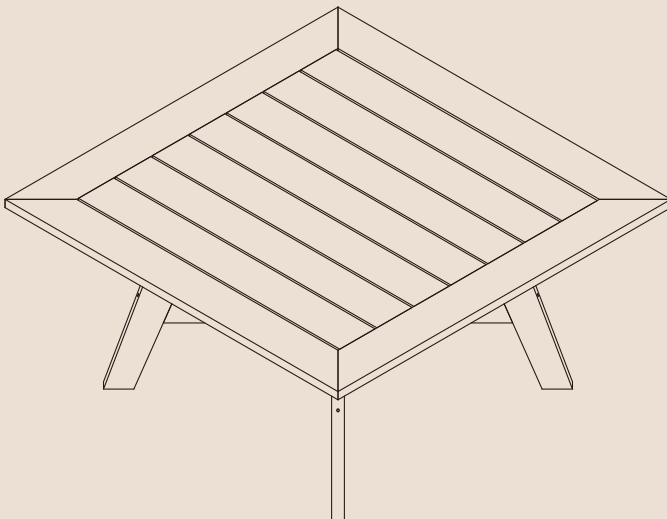
6

Attach **part D** with **Support Bar C** to **part A Table Top** with 4 sets of hardware **#2 bolt**, hardware **#4 Washer**, and hardware **#3 Nut**.



7

Check and tighten all the bolts and screws again and finish the assembly.



REGISTRATION & REFUND POLICY

<https://westintrends.com/apps/product-registration>



<https://westintrends.com/policies/refund-policy>



HAVING TROUBLE

- **Not sure how to assemble or missing pieces?**

Please contact our Customer Service Team for assistance at cs@westintrends.com

Have Order #, Part # or SKU ready to speed up customer service!

CLEANING TIPS

REGULAR CLEAN: Use a mixture of warm water and mild soap. Gently scrub the surface with a soft bristle brush to remove any dirt or stains.

QUICK CLEAN: You can simply wipe down the HDPE furniture with a damp cloth. The material's resilience makes it resistant to most spills and stains, ensuring a hassle-free maintenance routine.

Regular cleaning not only preserves the aesthetic appeal of your furniture but also helps extend its lifespan.

Pressure washer can be used for seriously deep-cleaning - **DO NOT exceed 1500 PSI** - this will remove debris and dirt.