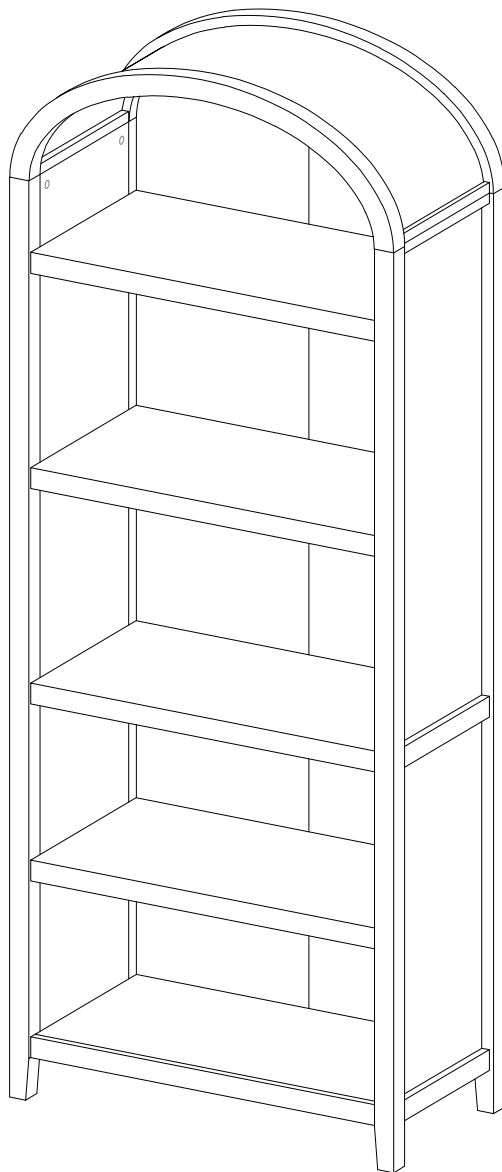


**WALKER EDISON**  
TM

# Chantelle Open Shelf Bookcase

SKU# WECHA41OS1



**For Residential Use Only**

Please visit our website for the most current instructions, assembly tips, report damage, or request parts. [www.walkeredison.com](http://www.walkeredison.com)

# WE Time to get started

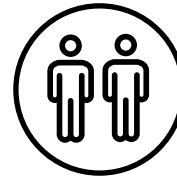
Set up a clean and soft workplace to get started and avoid damage during the assembly. It also helps to double-check you've got all the pieces and parts before diving in to assembly.

## Estimated time for assembly



## People recommended for assembly

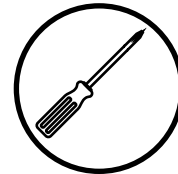
Make it a team effort! Grab a friend for quicker, easier assembly.



2 People Build

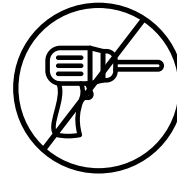
## Tools Needed

Grab a Phillips head screwdriver to conquer this assembly



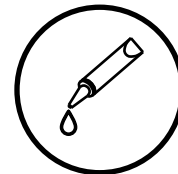
## Use power tools with caution

You can cause cracking or damage to the material and easily strip the hardware. If you choose to use a power tool, your product will no longer be covered under Walker Edison's warranty.



## Glue is provided to secure wood dowels in place

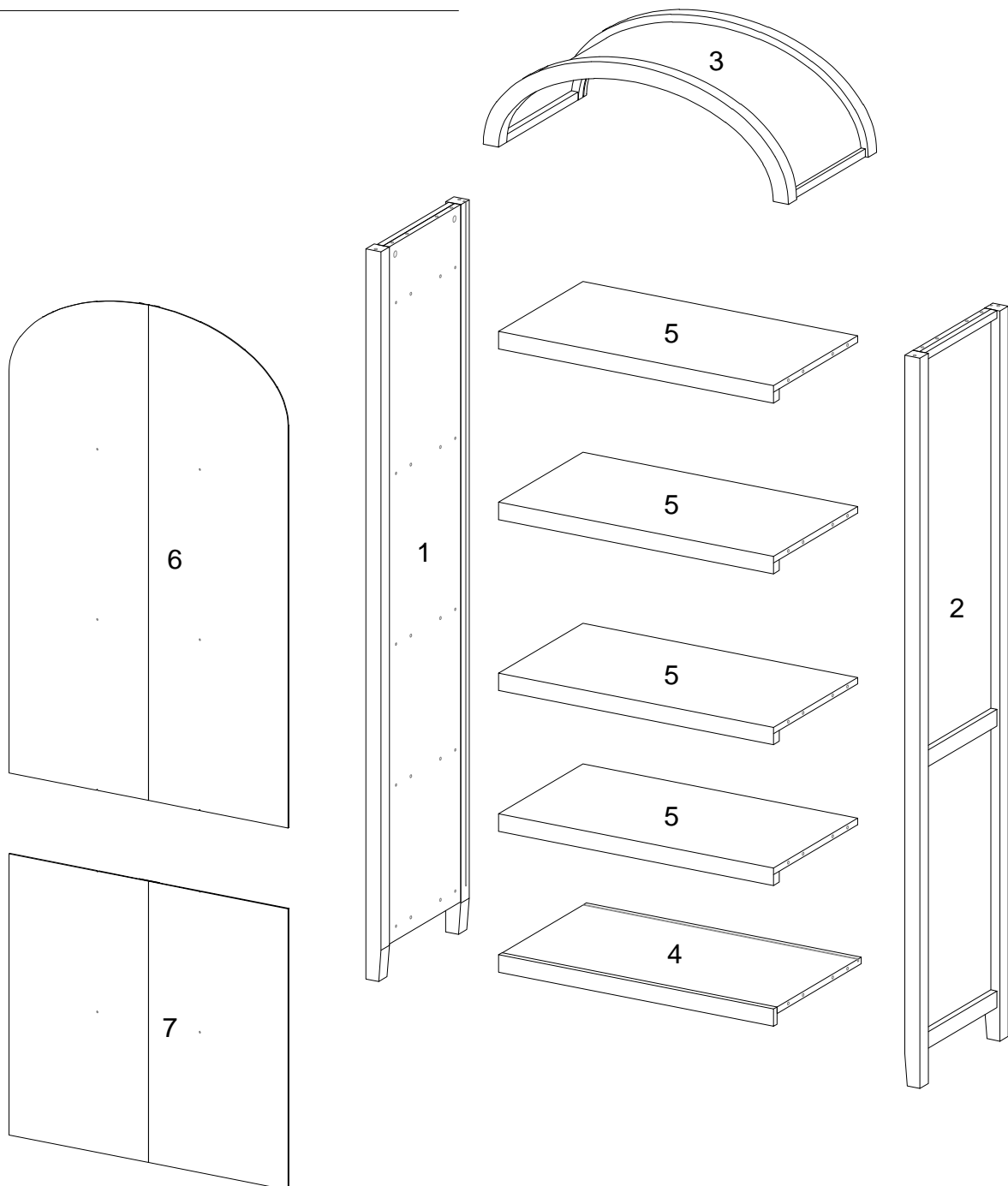
When inserting dowels, locate the appropriate hole, place a small amount of glue in the hole, and then insert the dowel. Wipe away excess glue immediately.






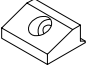
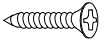
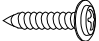
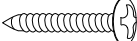

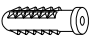

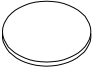
**Scan to get assembly tips and help!**

# WE Parts List

Part Number	Description	Quantity
1	Left Panel	1
2	Right Panel	1
3	Top Arched Panel	1
4	Lower Shelf Panel	1
5	Upper Shelf Panel	4
6	Upper Back Panel	1
7	Lower Back Panel	1



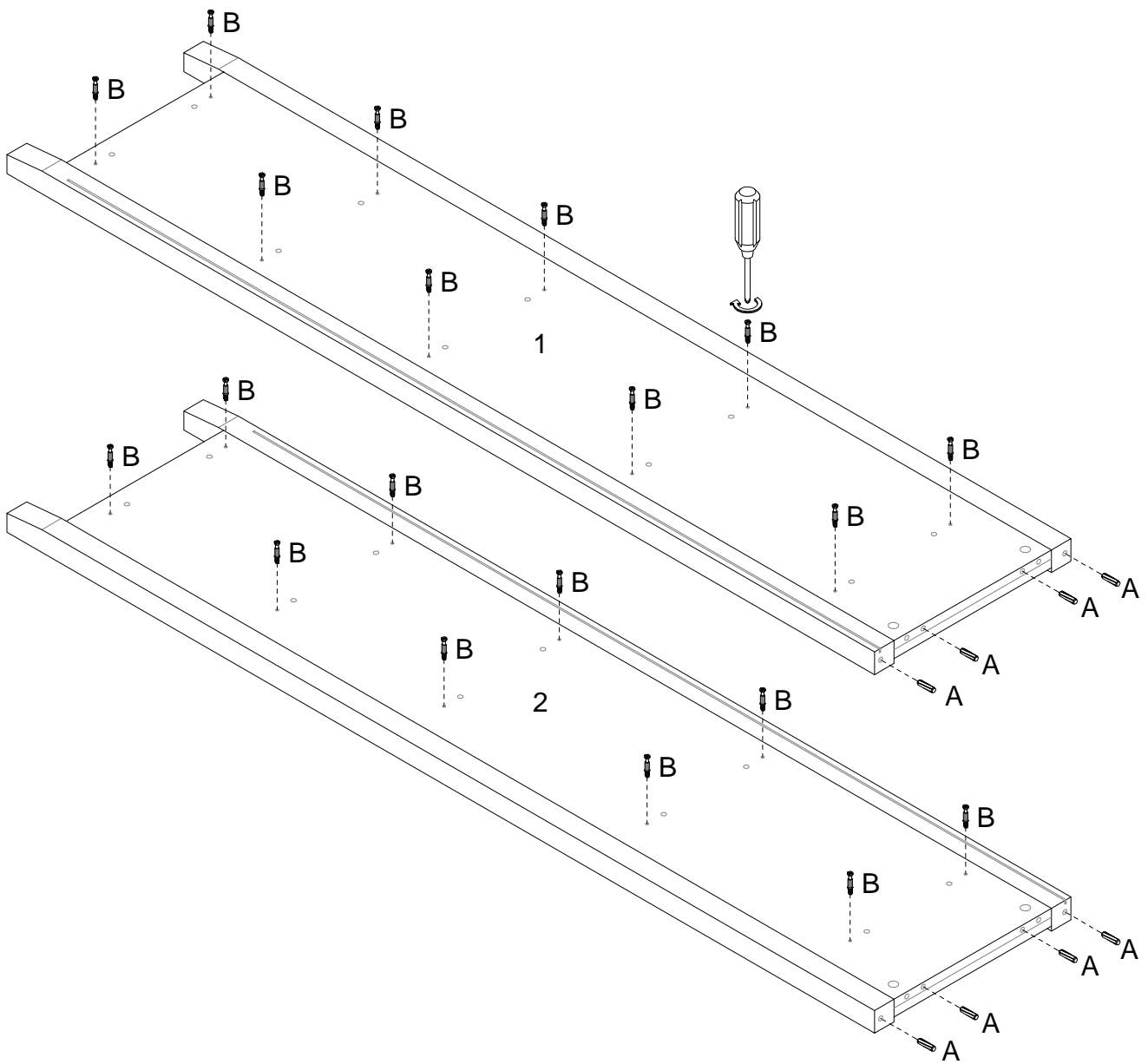
# WE Hardware List

Part	Size	Name	Quantity
A	 8x30mm	Wooden dowel	28
B	 6x35mm	Cam Bolt	24
C	 15x11mm	Cam Lock	24
D		Plastic Wedge	14
E	 3x17mm	Screw	14
F	 3x14mm	Screw	8
G	 4x25mm	Screw	1
H	 4x15mm	Screw	1
J		Wall Anchor	1
K		Plastic strap	1
L	 30mm	Sticker	26
M		Glue tube	2

The hardware quantities listed above are required for proper assembly.  
Extra hardware pieces may be included.

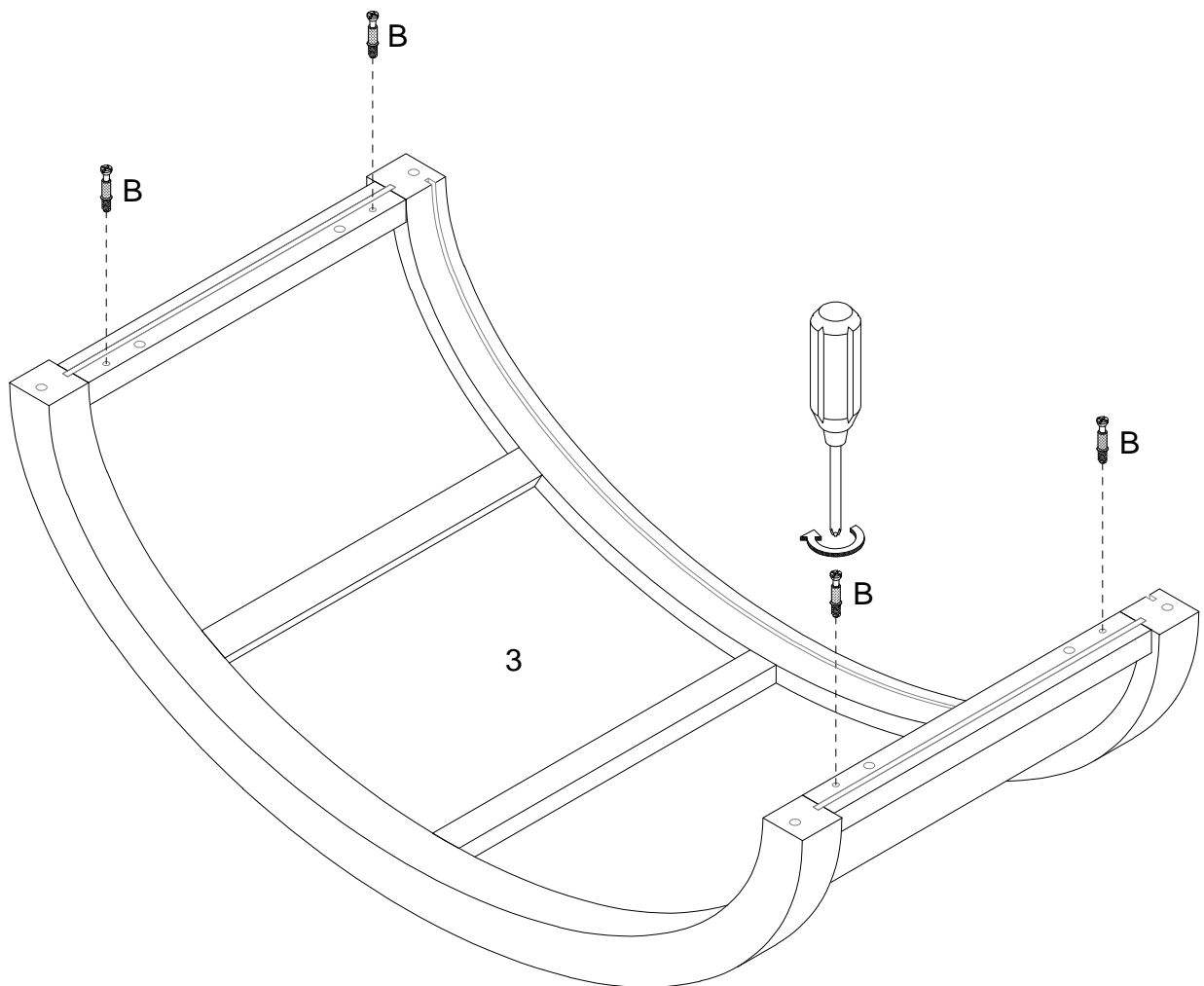
# Step 1

Let's get started, shall we? Start by screwing Cam Bolts (B) into the Left Panel (1) and Right Panel (2). Then, place your Dowels (A) into the dowel holes at the top of both panels.



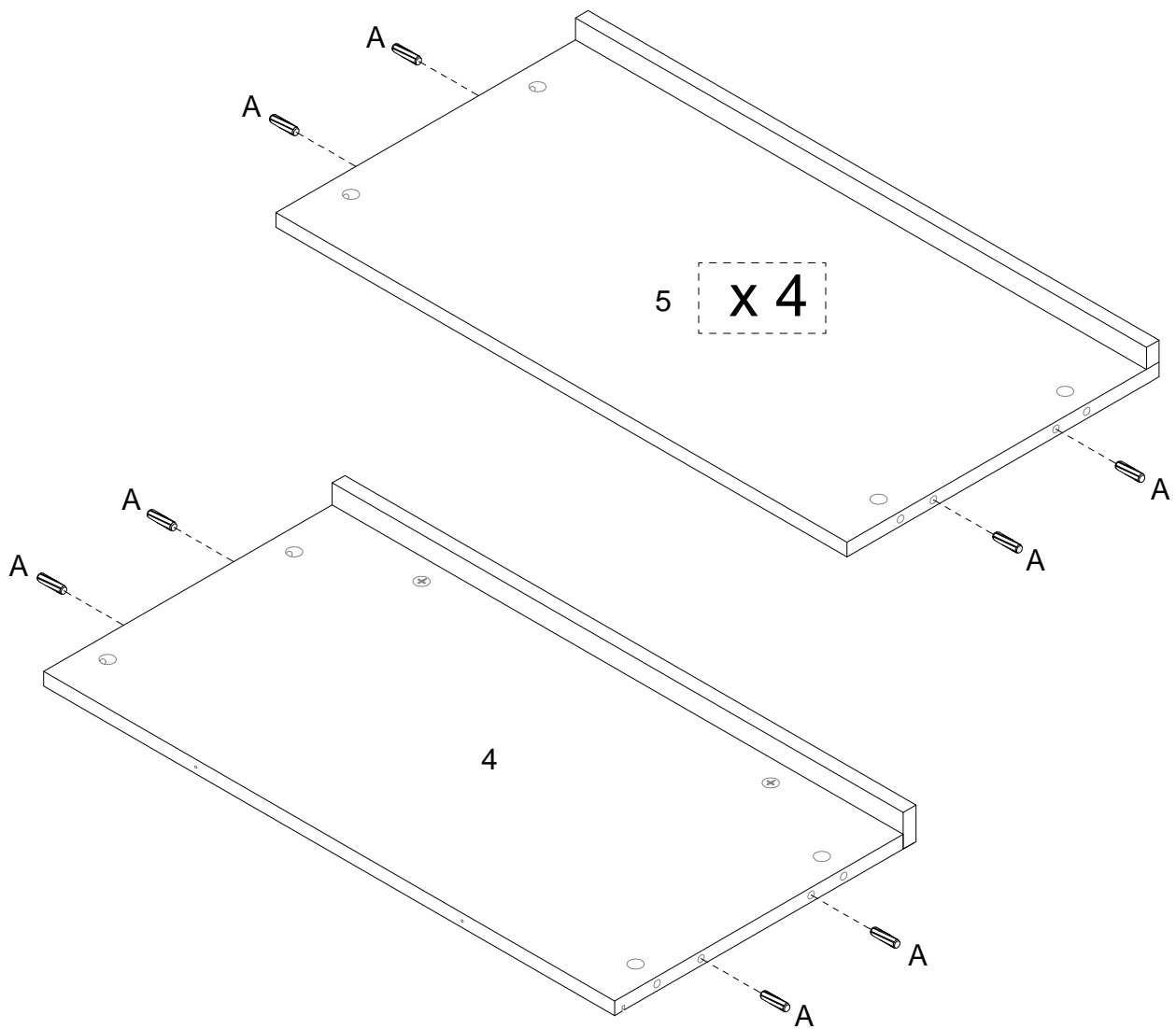
# Step 2

Using a screwdriver, screw the Cam Bolts (B) into the Top Arched Panel (3).



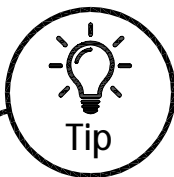
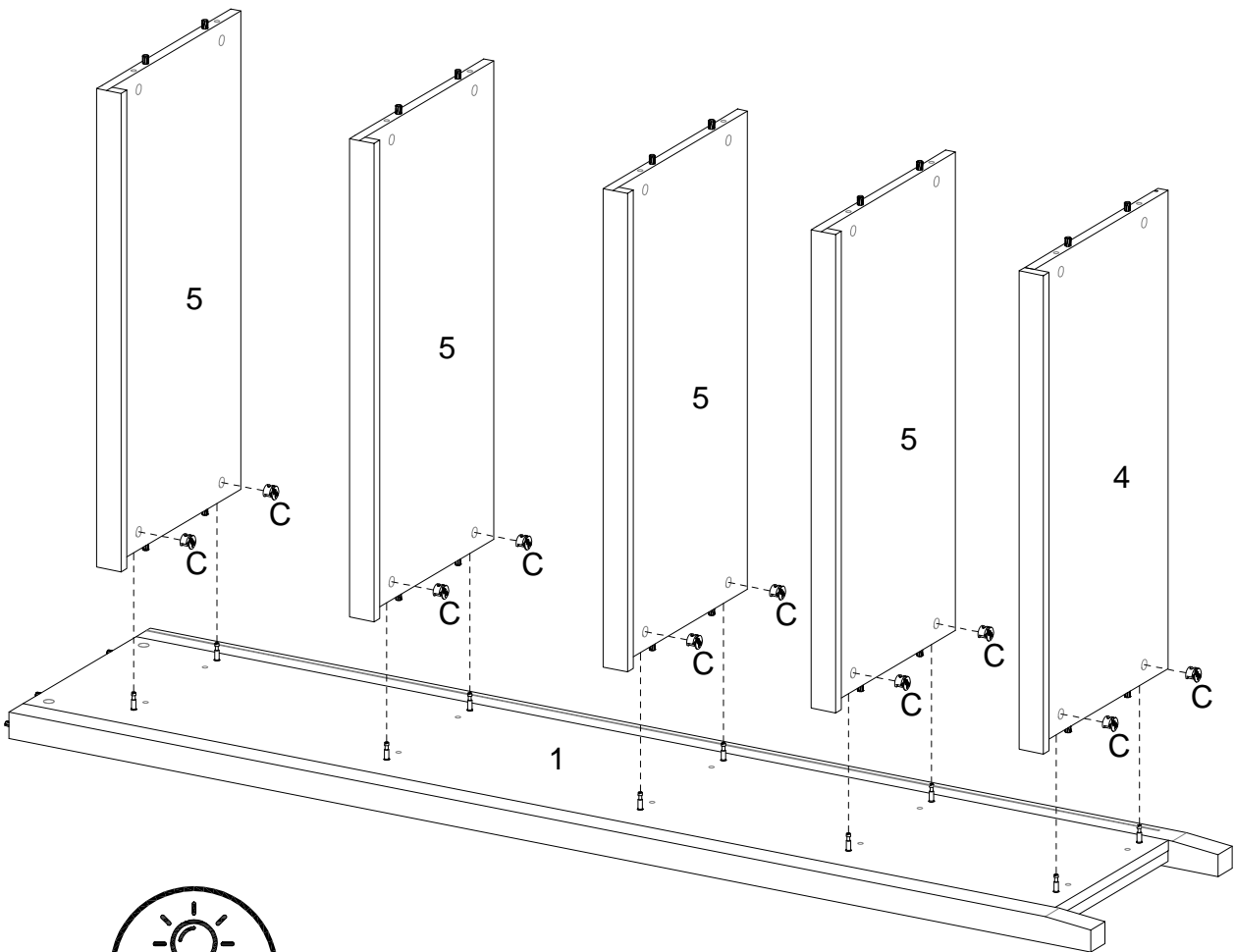
# Step 3

Insert Dowels (A) into the Upper Shelf Panels (5) x 4 and Bottom Shelf Panel (4).



# Step 4

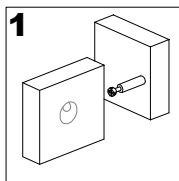
Insert Shelf Panels (5) x 4 and (4) into your Left Panel (1). Secure with Cam Locks (C) and tighten with a screwdriver. Tip: Ensure that Bottom Shelf Panel (4) is at the bottom of the panel closest to the legs.



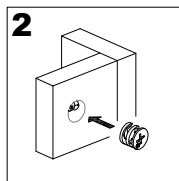
Tip

## Cam Locks

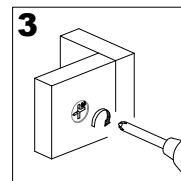
Cam Locks help securely join two pieces together. Follow these easy steps.



1: Insert Cam Bolt into bolt holes on the flat side. Don't over tighten!



2: Fit the proper holes on the edge of the other part over the Cam Bolts. You should be able to see the cam bolts through the larger hole on the side.

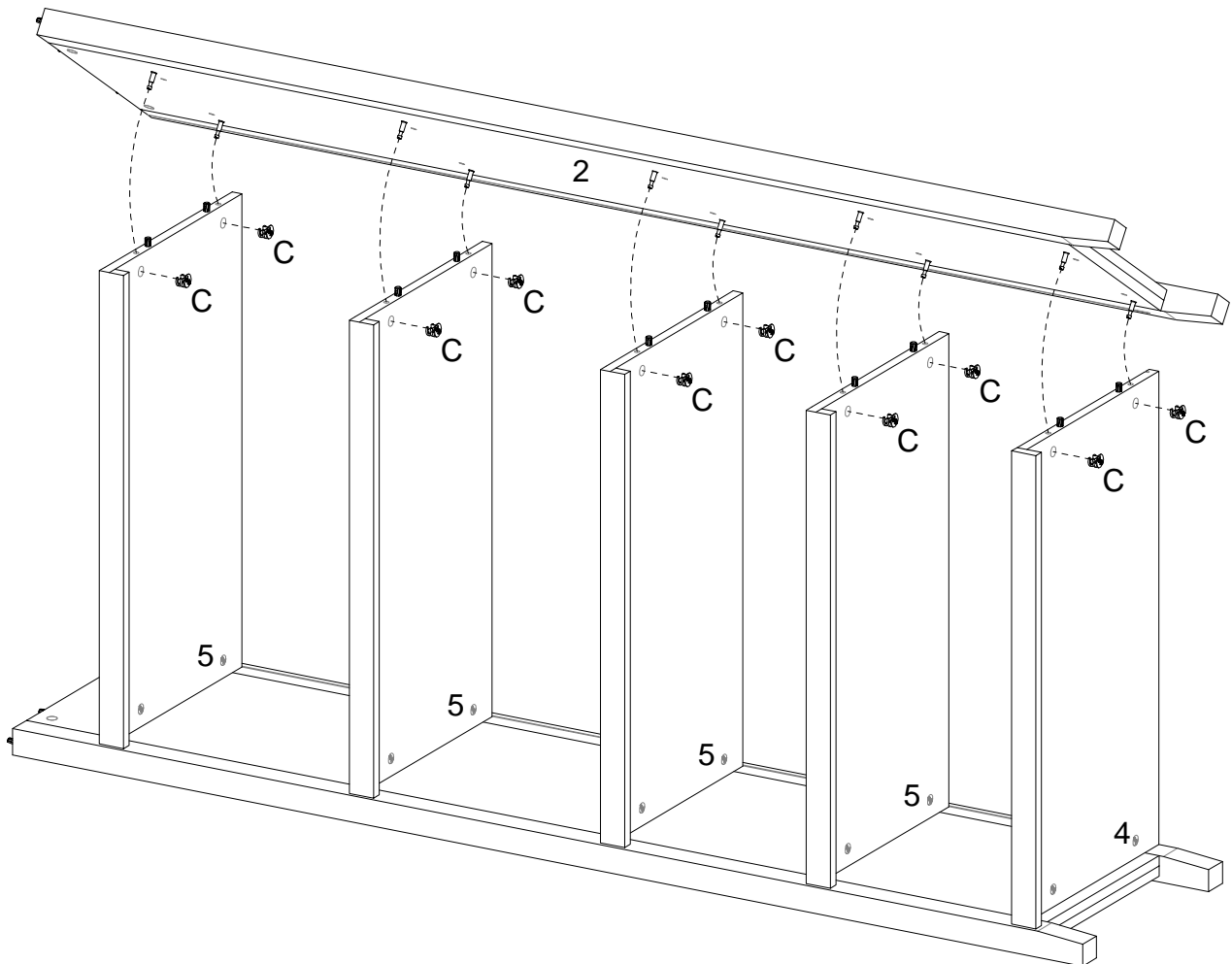


3: On the back of the Cam Lock will be a "C" shape. Insert the Cam Lock so the opening of the "C" fits over the Cam Bolt. Tighten with the screwdriver.



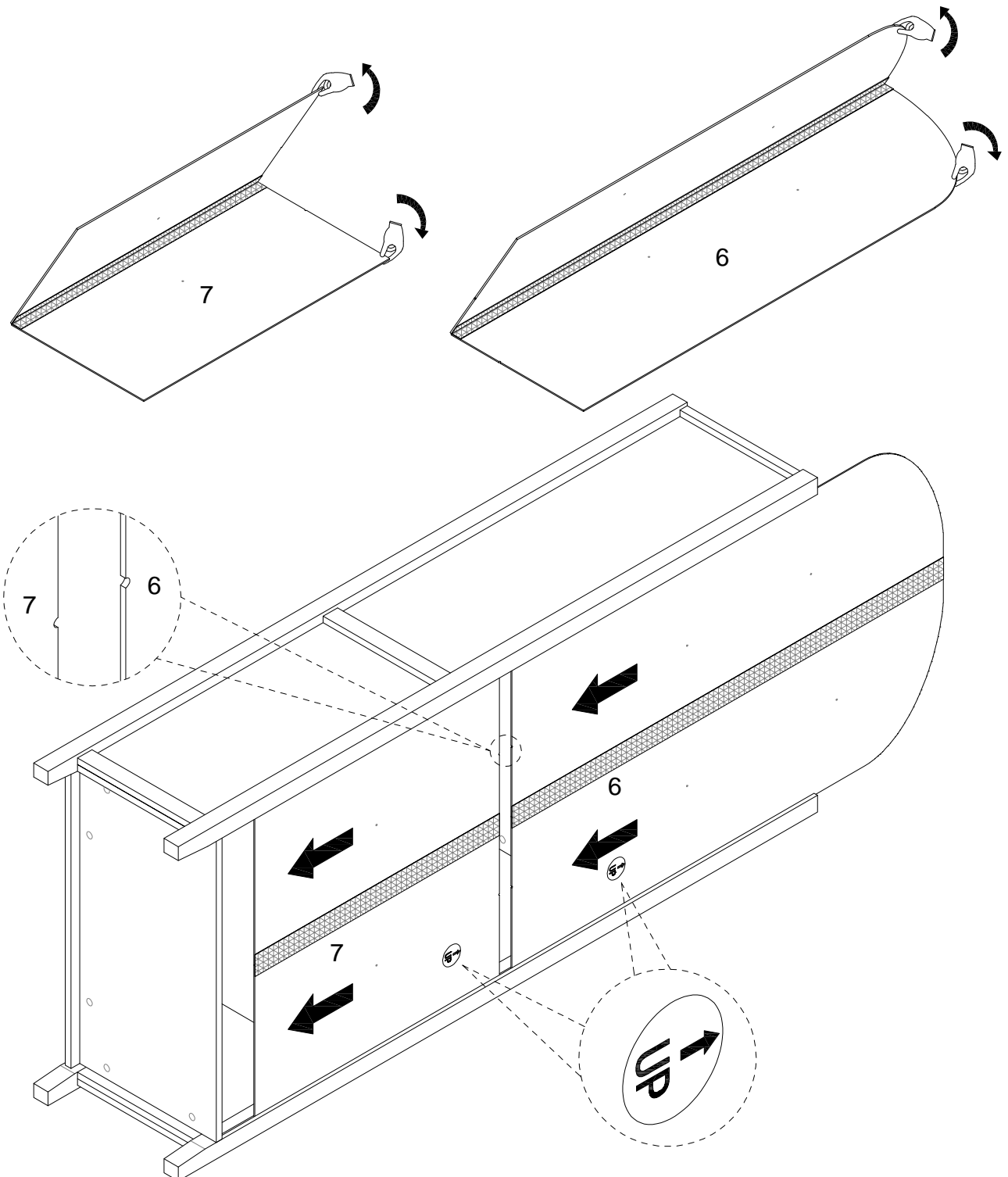
# Step 5

Attach Right Panel (2) to Shelf Panels (5) and (4). Secure with Cam Locks (C) and tighten with a screwdriver.



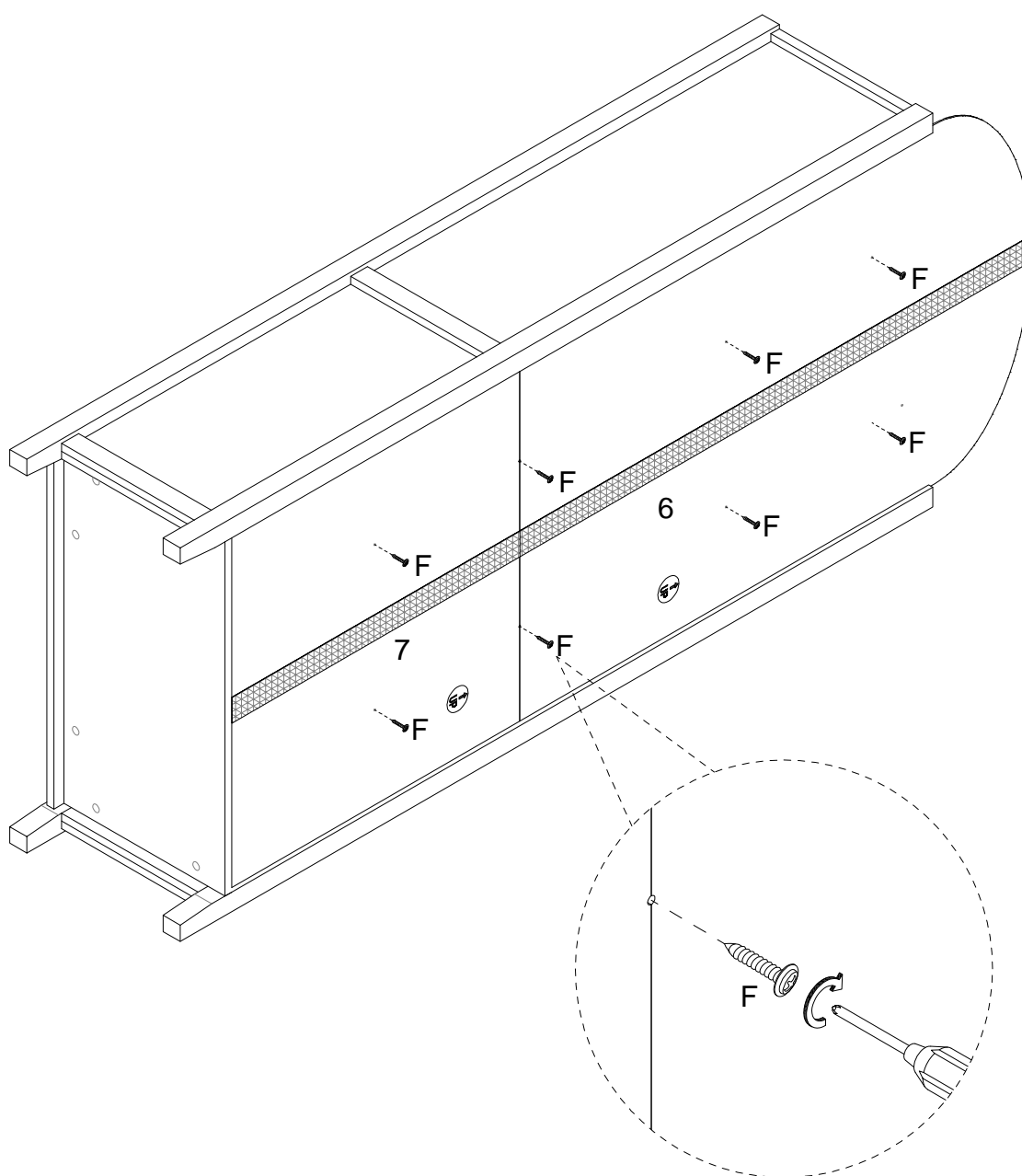
# Step 6

Unfold the Upper Back Panel (6) and Lower Back Panel (7). Starting with the Lower Back Panel (7), slide into place using the grooves. Ensure that it fits securely into the bottom groove, and then slide the Upper Back Panel (6) into place.



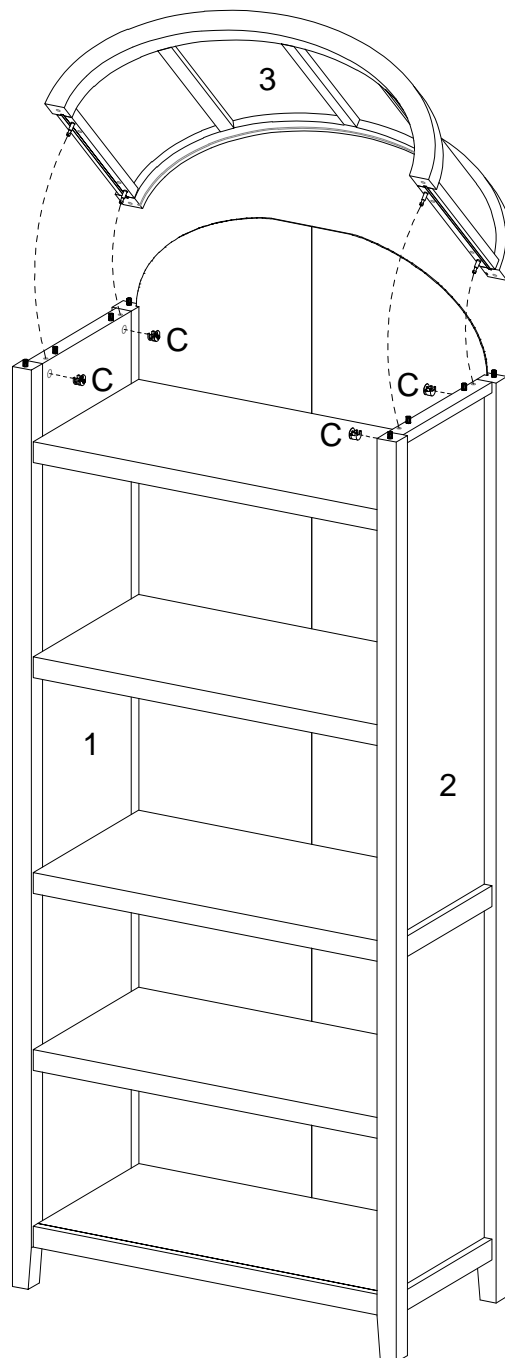
# Step 7

Secure the Back Panels by screwing 14mm Screws (F) into the pre-drilled holes.



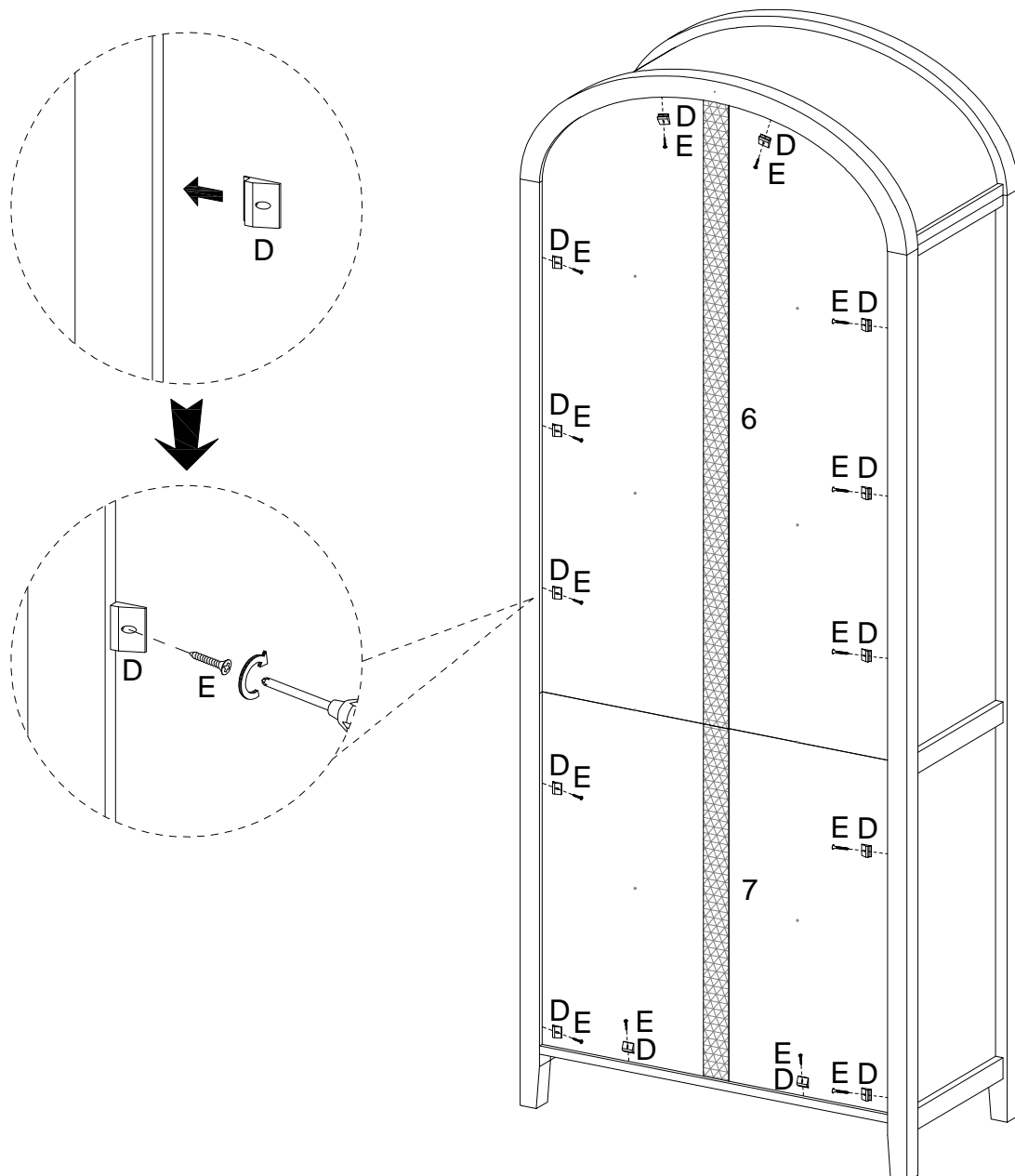
# Step 8

With the help of a friend, flip the bookcase upright. Place the Top Arched Panel (3) on top and secure with Cam Locks (C).



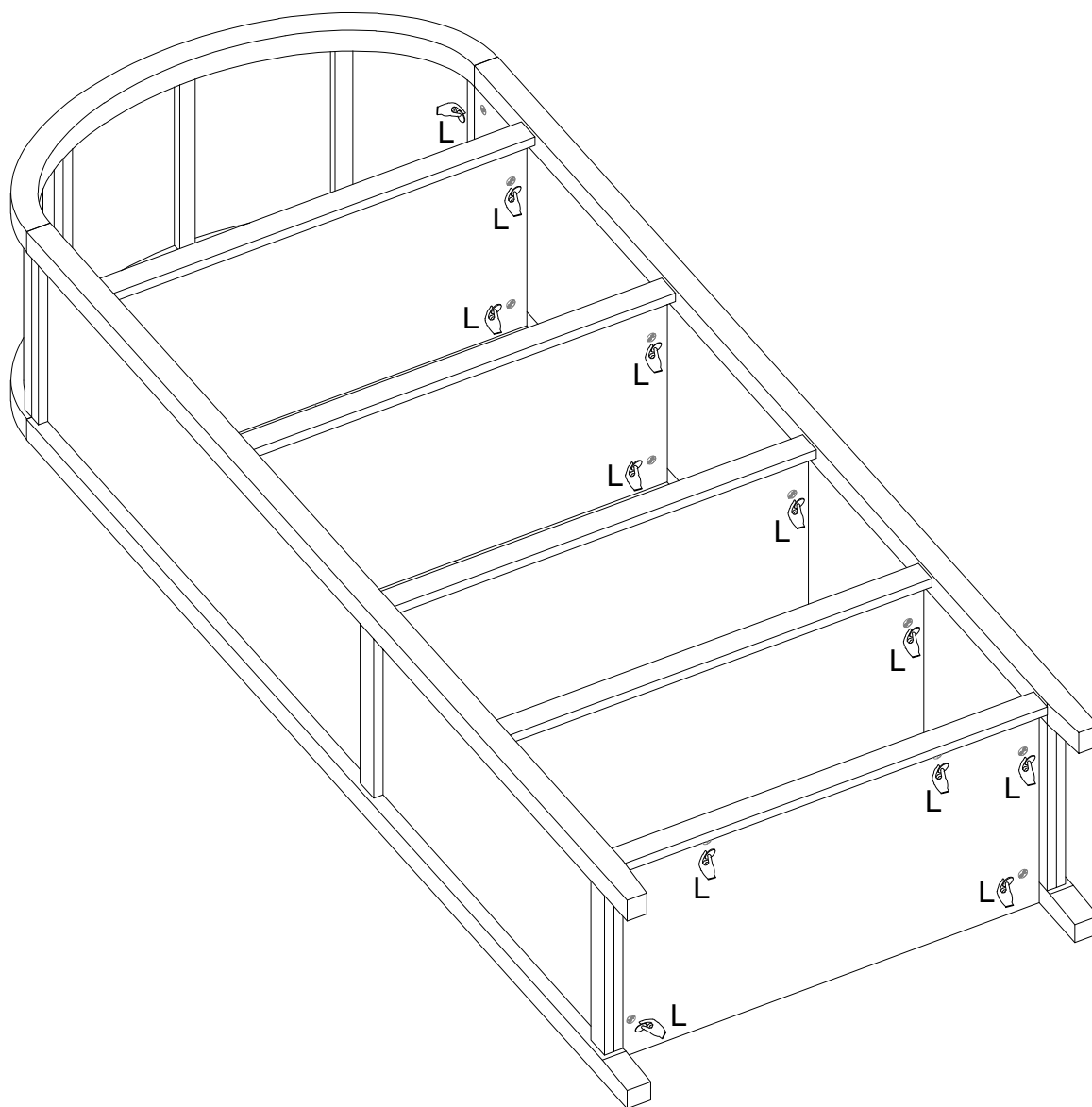
# Step 9

Evenly space the Plastic Wedges (D) throughout by inserting into the space between the Side Panels and the Back Panels. Secure the wedges into place using 17mm Screws (E).



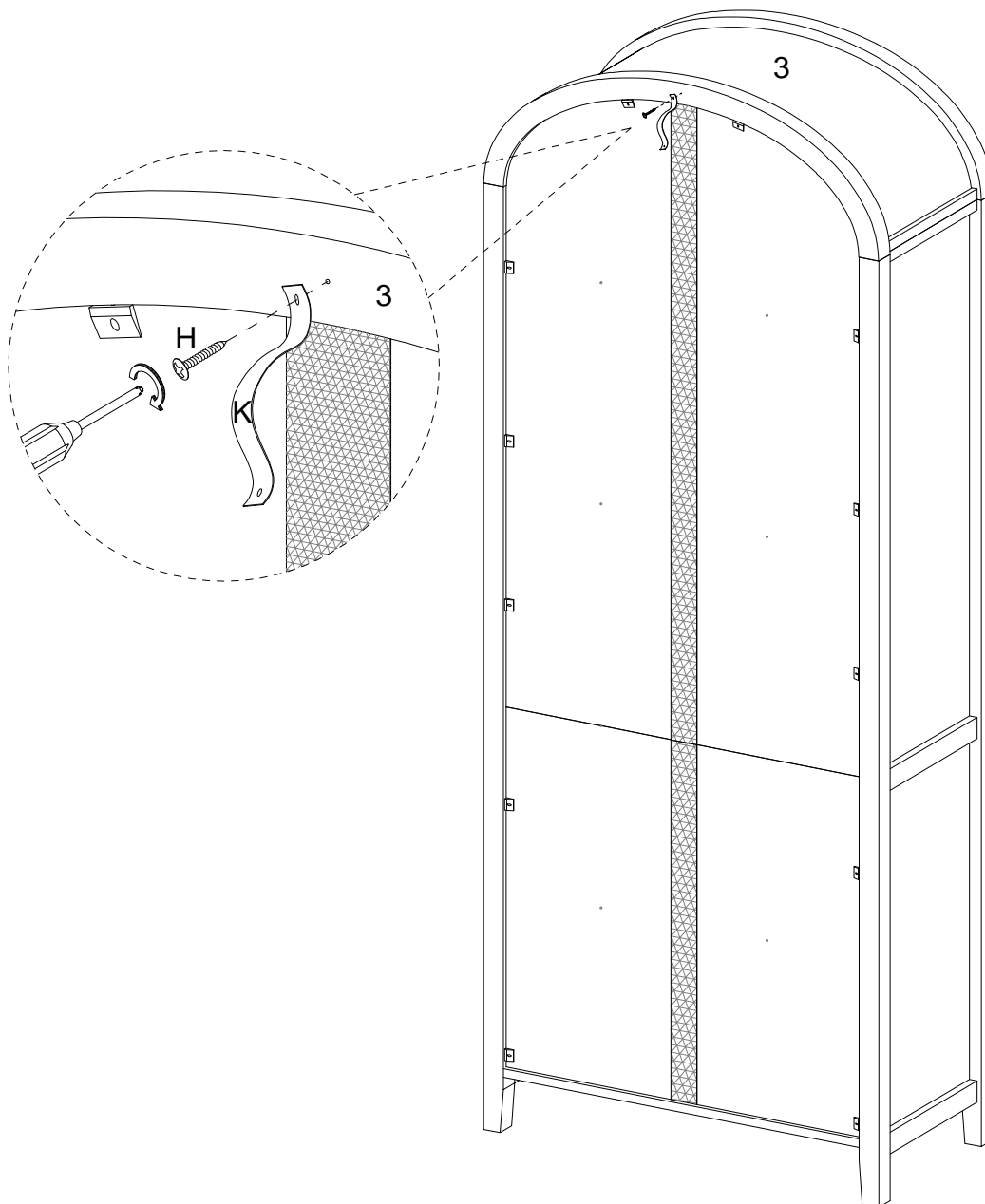
# Step 10

Cover all of the visible screw holes with the Stickers (L).



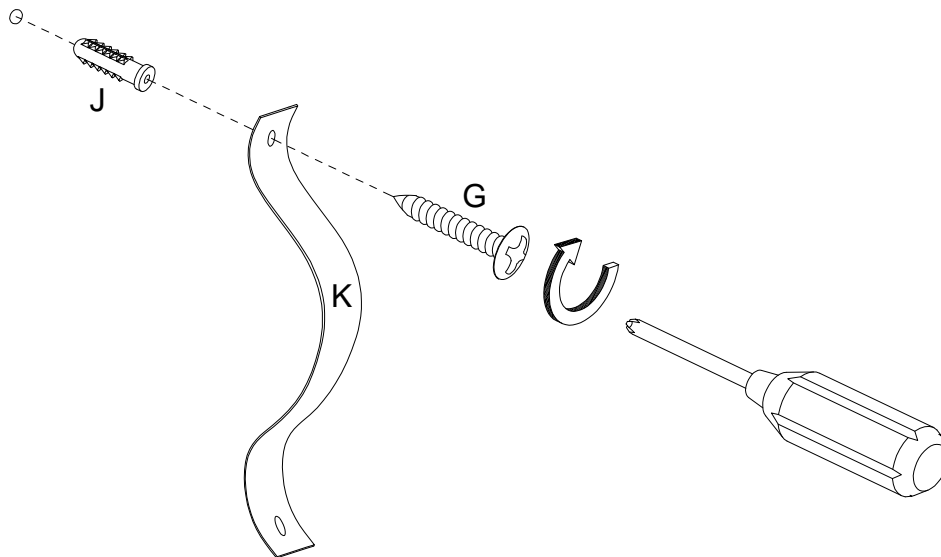
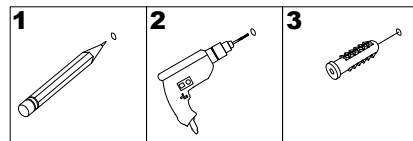
# Step 11

Let's secure your bookcase to the wall. Attach your Plastic Strip (K) to your bookcase using the 12mm Screw (H).



# Step 12

Insert the Wall Anchor (J) into the wall. Next, secure your Plastic Strip (K) to the wall using the 25mm Screw (G).  
Way to go! You did it!

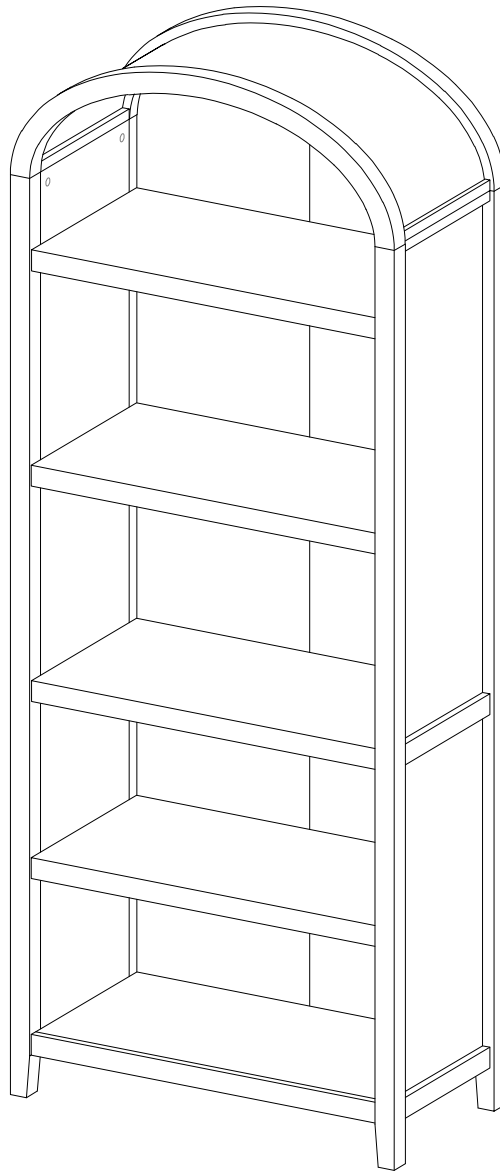


## Warning

Serious or fatal injuries can occur from furniture tipping over. To prevent the furniture from tipping over we recommend that it is permanently fixed to the wall. Wall anchor and hardware are included with this product. Please make sure hardware is suitable for your walls before installing, as different wall materials may require different types of anchors.



# Final Assembly



Congratulations on your new piece of furniture!  
We would love to hear about it and see it.  
Please leave us a review or post a picture with  
[#mywalkerredisonhome](#)

# Assembling furniture can be tricky sometimes.

Our customer service team, located in Utah, is here for product information, help assembling a product, or for any other customer support issue

Call us at **801-433-3008**

Email us at [service@walkeredison.com](mailto:service@walkeredison.com)

Visit our Customer Service website at [walkeredison.com/pages/customer-service](http://walkeredison.com/pages/customer-service)

We are available to help Monday -Thursday 8am-5pm, Friday 8am-3pm MST

For details on Assembly Videos, Assembly Instructions, Replacement Parts, and Customer service,

**SCAN HERE**

