

# ROHL

Authentic Luxury for Kitchen and Bath®

[www.rohlhome.com](http://www.rohlhome.com)



## PERRIN & ROWE® EDWARDIAN SINGLE HOLE, DUAL HANDLE LAVATORY FAUCET

ROHL Perrin & Rowe® Bath

### U.3635L-2

#### FEATURES

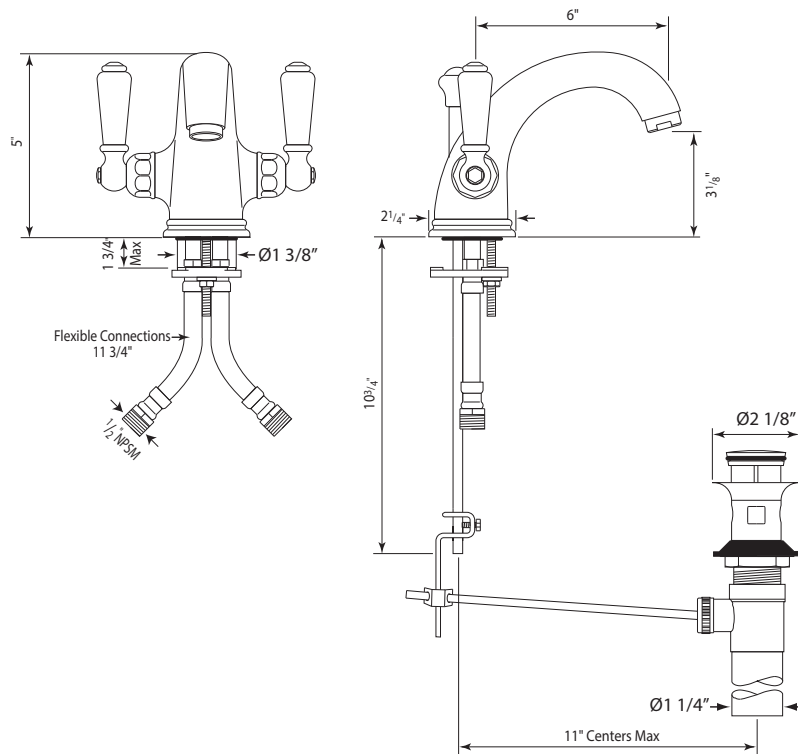
- Fixed spout
- Spout, valve housing, and pop-up made from solid brass
- 1 x 1 3/8" hole cutout
- 1/4-turn ceramic disc valves
- Pop-up drain, 1 1/4" pipe
- Unique handle fixing clip, engineered to increase the life of the valve
- 1/2" NPSM flexible stainless steel hose connections
- Includes both porcelain and metal lever inserts
- 1.2 GPM

#### FINISHES

- Polished Chrome
- Polished Nickel
- Satin Nickel
- English Gold
- English Bronze

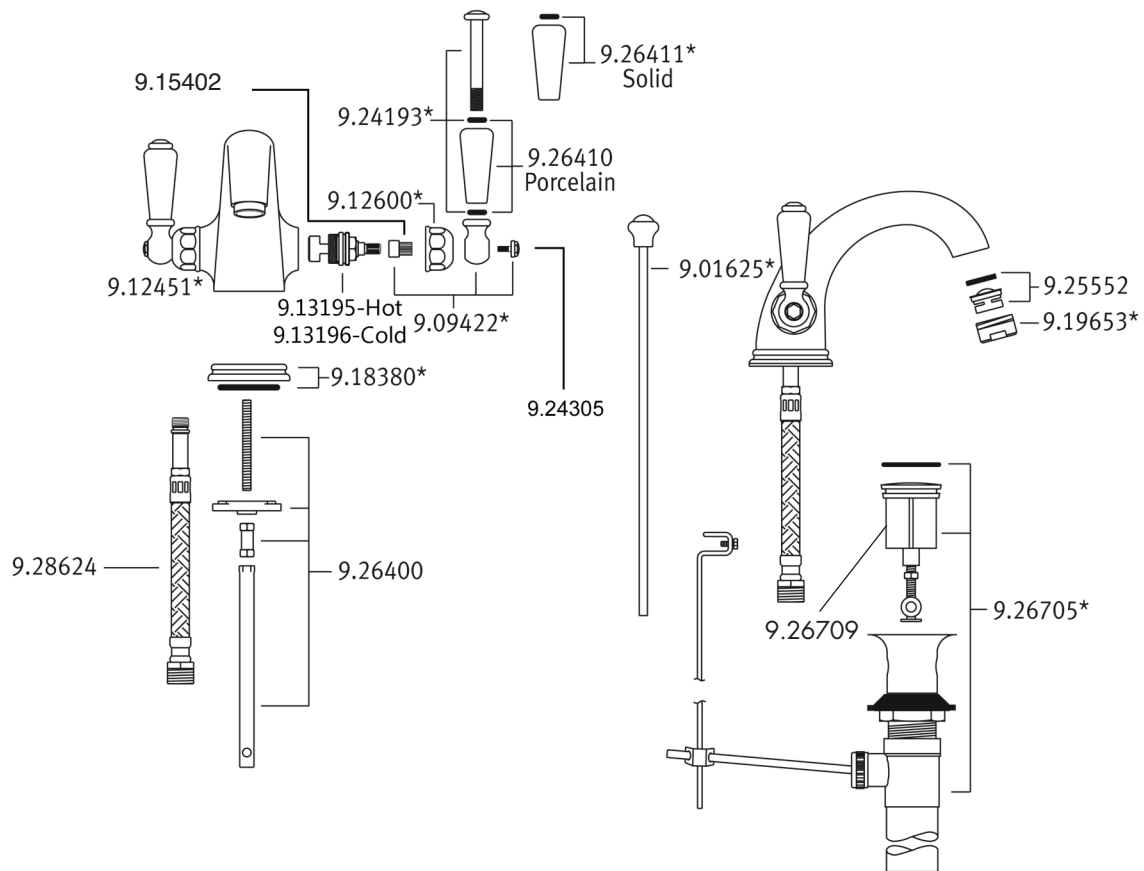
#### WARRANTY

- Limited Lifetime



Consult your local ROHL showroom for additional information and specifications. For complete warranty details and a list of showrooms, go to [www.rohlhome.com](http://www.rohlhome.com).

## U.3635L Spare Parts



Consult your local ROHL showroom for additional information and specifications. For complete warranty details and a list of showrooms, go to [www.rohlhome.com](http://www.rohlhome.com).

## The Traditional Bathroom Collection Installation & User Guide



U.3626X U.3635L U.3676X U.3685L

### LAV/BIDET CENTERSETS

Congratulations on the purchase of your Perrin & Rowe Bathroom Faucet. Correctly installed and with sensible care, it will give many years of trouble free service.

**Before you proceed...** We recommend you engage the services of a registered plumber to install this product.

**Read the instructions on this leaflet carefully.**

#### PREPARATION

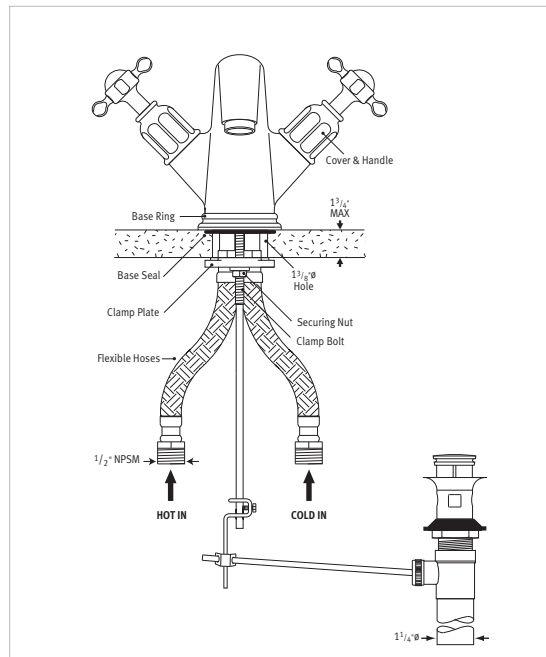
- ◆ Flush the plumbing system before installing the mixer faucet. This is to avoid plumbing residues clogging the mesh of the aerated outlet, or possibly damaging the ceramic valves. This is especially important where extensive plumbing work has been carried out.
- ◆ The Hot supply should be on the left when viewed from the front of the fitting.

#### CHECK LIST

- ! Temperature of the hot water supply does not exceed 185°F!
- ! Recommended minimum water supply pressure - 15 psi!
- ! Recommended maximum water supply pressure - 75 psi!
- ! Ideal performance obtained with equal hot & cold pressures!

#### ASSEMBLY - Refer to Fig 1.

- ◆ Assemble the faucet by feeding the flexes through the hole in the worksurface, ensuring the base ring and seal are in place.
- ◆ Place clamp plate and securing nut onto the clamp bolt, tighten with spanner provided to underside of worksurface.
- ◆ Connect Hot & Cold water supplies to flexible connections, ensuring they are tightened firmly.
- ◆ Remove pop-up from waste. Unscrew and remove top waste, complete with foam seal, through waste hole in basin/bidet. Offer bottom waste, complete with rubber seal, to underside of basin/bidet and screw top waste into bottom pop waste. Ensure that pop up shaft is in position alongside pop up rod. (Shaft can be cut shorter if space is restricted). Slide fixed end of clamp bracket onto pop up shaft. Lift pop up rod and then lower into swivel end of clamp bracket. Adjust position of clamp bracket to achieve maximum movement of pop up shaft. Place pop up into waste and adjust movement using the screw in the bottom of the pop up.



**Fig 1.**  
Installation of Faucet

#### BEFORE USE

- ◆ Carefully check the installation for leaks.
- ◆ If further building work is to be carried out in the vicinity, cover the faucet with a plastic bag to avoid damaging the finish.
- ◆ Please ensure that the installation complies with the local plumbing codes.

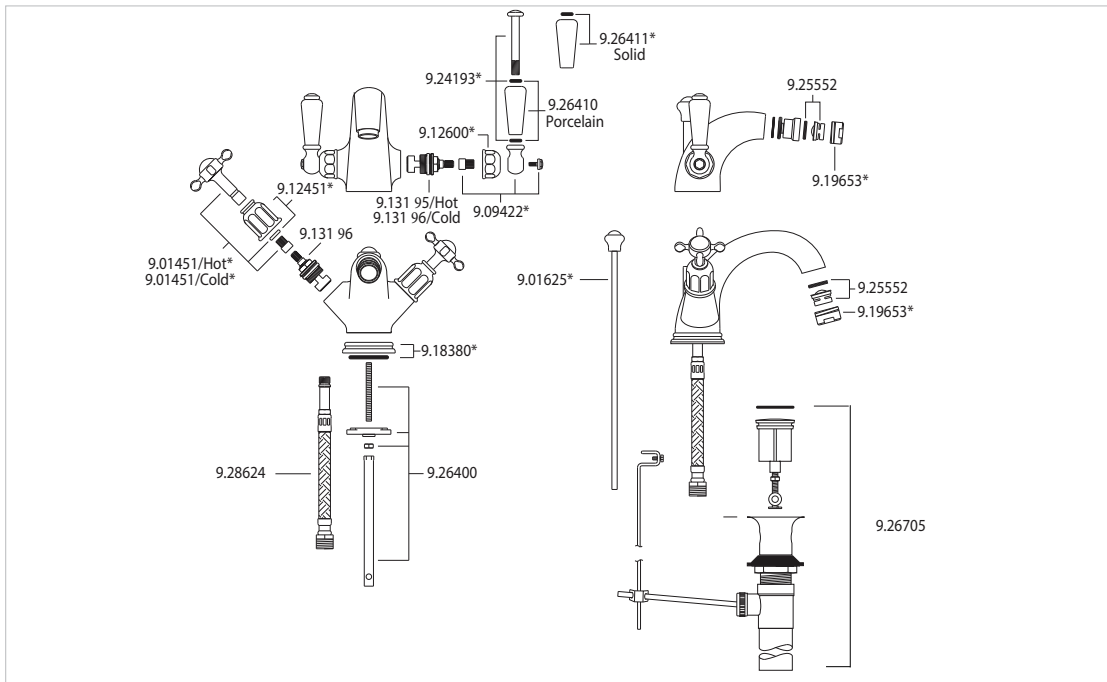


Fig 2.  
Spare Parts - \*Where indicated specify color

## OPERATION

Ceramic disc valves are fitted as standard to this mixer faucet. Flow from FULLY OFF to FULLY ON is achieved by rotating the handles a quarter turn.

When using pop up waste, push down on plug to seal the waste prior to filling the bowl. Push down on pop up knob to discharge waste water.

## CARE & MAINTENANCE

Occasional cleaning with warm soapy water, followed by a polish with a soft cloth is all that is required to keep the plated finish in good condition.

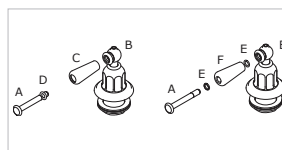
Do not use proprietary abrasive liquids, powders, or pads to clean the faucet. You will damage the plated finish and void your warranty.

An aerator is fitted to the outlet of the spout, this may need occasional cleaning. This will be evident when the water flow slows down to an unacceptable level. To accomplish this unscrew the outlet in a counter-clockwise direction and remove the aerator, rinse thoroughly in clean water and re-install.

## HANDLE VARIANTS

Both porcelain and solid levers are included with U.3635L and U.3685L models.

## HOW TO CHANGE



- 1) Unscrew lever bolt **A** from lever ball **B** by hand.
- 2) Remove metal lever insert **C** and seal **D**.
- 3) Place one of the replacement seals **E** onto lever bolt **A** and slide to the end. Place porcelain lever insert **F** onto lever bolt **A** and slide to the end of the bolt.
- 4) place the other replacement seal **E** onto lever bolt **A** and slide to the end of the porcelain lever insert.
- 5) Screw lever bolt and porcelain lever insert assembly back into lever ball **B** and screw down tightly by hand

## SPARE PARTS AND SERVICE

ROHL  
3 Parker  
Irvine  
CA 92618  
(714) 557-1933