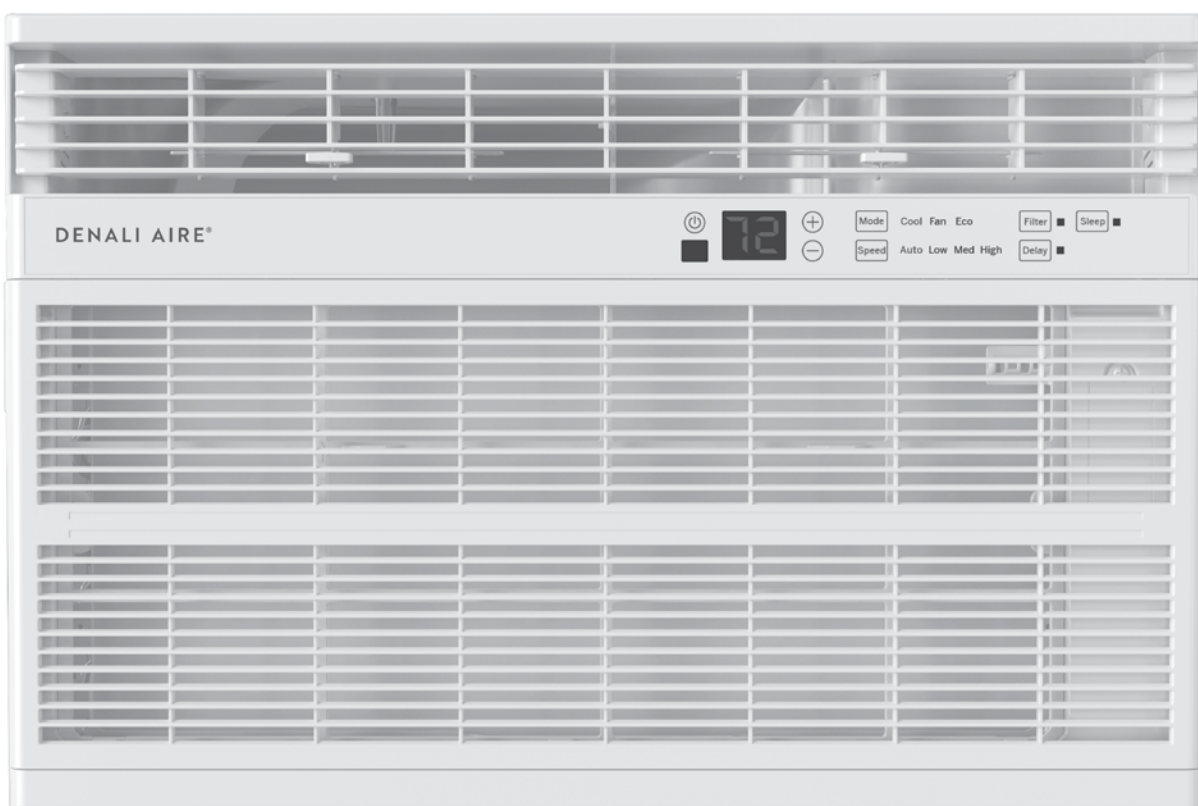




DENALI AIRE®

OWNER'S/INSTALLATION MANUAL

ROOM AIR CONDITIONER



2DANC18K & 2DANC24K shown

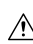
MODELS: 2DANC18K | 2DANC24K | 2DANCH18K | 2DANCH24K

CONTENTS

Safety Information.....	4
Using the Air Conditioner	
Temperature Control.....	6
Air Direction	8
Care and Cleaning	
Grille and Case	9
Air Filter.....	9
Outdoor Coils	9
Installation Instructions	
Before You Begin	10
Electrical Requirements.....	10
Parts Included	11
Window Requirements	12
Preparing the Air Conditioner.....	12
Installing the Air Conditioner	13
Troubleshooting	
Troubleshooting Tips.....	15
Normal Operating Sounds.....	16

IMPORTANT NOTE:

Read the manual carefully. Make sure to save this manual for future reference. Illustrations in this manual are for explanatory purposes only, your actual product may look slightly different.

 **WARNING:** Cancer www.P65Warnings.ca.gov

SAFETY INFORMATION

IMPORTANT SAFETY INFORMATION | READ ALL INSTRUCTIONS BEFORE USING THE APPLIANCE

WARNING

For your safety, the information in this manual must be followed to minimize the risk of fire, electric shock or personal injury.

- Use this appliance only for its intended purpose as described in this Owner's Manual.
- This air conditioner must be properly installed in accordance with the Installation Instructions before it is used.
- Never unplug your air conditioner by pulling on the power cord. Always grip plug firmly and pull straight out from the receptacle.
- Replace immediately all electric service cords that have become frayed or otherwise damaged. A damaged power supply cord must be replaced with a new power supply cord obtained from the manufacturer and not repaired. Do not use a cord that shows cracks or abrasion damage along its length or at either the plug or connector end.
- Turn the unit OFF and unplug your air conditioner before cleaning.
- For your safety, do not store or use combustible materials, gasoline or other flammable vapors or liquids in the vicinity of this or any other appliance.
- If the receptacle does not match the plug, the receptacle must be changed out by a qualified electrician.

WARNING

Risk of Fire or Explosion. This unit contains flammable refrigerant. Additional safety precautions must be followed.

- Do not use means to accelerate the defrosting process or to clean, other than those recommended by the manufacturer.
- The appliance should NOT be stored in a room with continuously operating ignition sources (for example: open flames, an operating gas appliance or an operating electric heater).
- Do not pierce or burn refrigerant tubing. Be aware that refrigerants may not contain an odor.
- Keep ventilation openings clear of obstruction.
- When handling, installing, and operating the appliance, care should be taken to avoid damage to the refrigerant tubing.
- Do not drill holes in the unit.
- Maintenance, cleaning, and service should only be performed by technicians properly trained and qualified in the use of flammable refrigerants.
- We do not support any servicing of the air conditioner.
- Dispose of the air conditioner in accordance with Federal and Local Regulations. Flammable refrigerants require special disposal procedures. Contact your local authorities for the environmentally safe disposal of your air conditioner.

IMPORTANT SAFETY INFORMATION | READ ALL INSTRUCTIONS BEFORE USING THE APPLIANCE

WARNING

USE OF EXTENSION CORDS

RISK OF FIRE. Could cause serious injury or death.

- DO NOT use an extension cord with this Window Air Conditioner.
- DO NOT use surge protectors or multi-outlet adapters with this Window Air Conditioner.

HOW TO POWER

- Do not, under any circumstances, cut or remove the third (ground) prong from the power cord. For personal safety, this appliance must be properly grounded.
- **DO NOT** use an adapter plug with this appliance.
- The power cord of this appliance is equipped with a 3-prong (grounding) plug which mates with a standard 3-prong (grounding) wall outlet to minimize the possibility of electric shock hazard from this appliance.
- Power cord includes a current interrupter device. A test and reset button is provided on the plug case. The device should be tested on a periodic basis by first pressing the **TEST** button and then the **RESET** button while plugged into the outlet. If the **TEST** button does not trip or if the **RESET** button will not stay engaged, discontinue use of the air conditioner and contact a qualified service technician.
- Have the wall outlet and circuit checked by a qualified electrician to make sure the outlet is properly grounded.
- Where a 2-prong wall outlet is encountered, it is your personal responsibility and obligation to have it replaced with a properly grounded 3-prong wall outlet.
- The air conditioner should always be plugged into its own individual electrical outlet which has a voltage rating that matches the rating plate.
- This provides the best performance and prevents overloading house wiring circuits which could cause a fire hazard from overheated wires.
- See the Installation Instructions, **Electrical Requirements** section for **specific electrical connection requirements**.

WARNING

Chemical Burn Hazard. Keep batteries away from children.

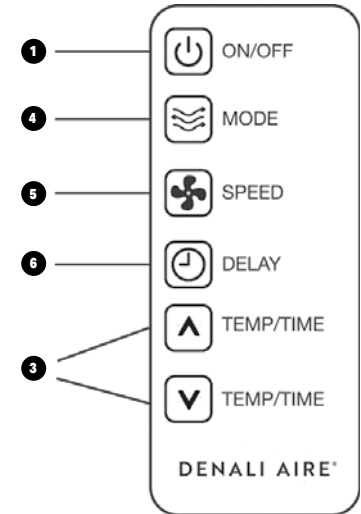
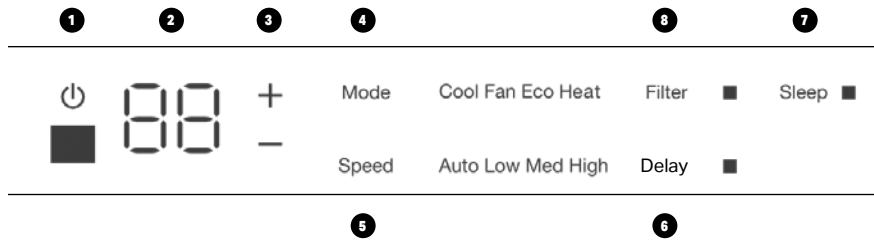
- This product contains a lithium button/coin cell battery. If a new or used lithium button/coin cell battery is swallowed or enters the body, it can cause severe internal burns and can lead to death in as little as 2 hours. Always completely secure the battery compartment. If the battery compartment does not close securely, stop using the product, remove the batteries, and keep it away from children.
- If you think batteries might have been swallowed or placed inside any part of the body, seek immediate medical attention.
- The cells shall be disposed of properly, including keeping them away from children.
- Even used cells may cause injury.

USING THE AIR CONDITIONER

AIR CONDITIONER CONTROLS

Features and appearance may vary.

Lights below the touch pads on the air conditioner control panel indicate the selected settings.



Operating Temperature	Indoor	Outdoor
Minimum	64°F	32°F
Maximum	86°F	110°F

NOTE: Heat mode settings only available on 2DANCH18K & 2DANC24K.

1 Power Pad

- Turns air conditioner on and off. When turned on, the display will show the set temperature.

2 Display

- Shows the set temperature at all times in Cool or ECO modes or time remaining on the Delay timer.

3 Temp and Delay Increase + /Decrease – Pads

- Use to set temperature or delay time. Temperature can be set in Cool, ECO or Heat mode.

4 Mode Pad

- Use to set the air conditioner to Fan Only, Cool, Heat, or Eco mode.

5 Fan Speed Pad

- In Cool, ECO or Heat mode: Use to set the fan speed to Auto, High, Med or Low on the unit.
- In Fan Only mode: Use to set the fan speed to High, Med, or Low on the unit.

6 Delay Pad

- **Delay ON**—When the air conditioner is off, it can be set to automatically come on in 1 to 24 hours at its previous mode and fan settings.
- **Delay OFF**—When the air conditioner is on, it can be set to automatically turn off in 1 to 24 hours.

How to set:

Press the **Delay 1–24hr** pad on the unit or the remote control. Each touch of the **Increase + / Decrease –** pads on the unit or the remote control will set the timer in 1-hour intervals.

To review the remaining time on the **Delay 1-24hr** timer, press the **Delay 1-24hr** pad on the unit or the remote control. Use the **Increase + / Decrease –** pads on the unit or on the remote control to set a new time if desired.

To cancel the timer, press **Decrease –** pad on the unit or the remote control until the set time is zero. After 3 seconds the light on the **Delay 1-24hr** pad goes off.

7 Sleep (set from air conditioner panel only)

- **SLEEP** mode will gradually change settings over an 8-hour period to allow energy efficiency during sleeping hours. The **SLEEP** mode is available only in **COOL** and **FAN ONLY** settings.
- Press the **SLEEP** mode and the light will illuminate. The fan indicator will stay at the same setting, but the air conditioner will automatically change **FAN** speed to low in either **COOL** or **FAN ONLY** mode.
- In **FAN ONLY** mode, the fan will stay in the **LOW** speed setting for 8 hours. After 8 hours, the air conditioner will resume the settings that was in place before the **SLEEP** mode was pressed.
- In **COOL** mode, the fan will stay in the **LOW** speed setting for 8 hours from the time the **SLEEP** mode pad was pressed. The air conditioner will also raise the set point 2°F in 30 minutes and 2°F more in another 30 minutes where it will remain for the next 7 hours. After 8 hours, the air conditioner will resume the settings that were in place before the **SLEEP** mode pad was pressed.
- While the unit is in **SLEEP** mode, pressing any pad will return it to the settings that were in place before the **SLEEP** mode pad was pressed.

8 Filter Reset Pad

- This feature automatically notifies you that the air filter must be cleaned. The indicator light will come on after 250 hours of operation. Clean the air filter (refer to page 8), place it back in the front panel, and press the Filter Reset pad. The light will go off.

AIR CONDITIONER CONTROLS

CONTROL PANEL

- This air conditioner has a control panel lights on off feature where its lights will turn off when there is no activity with the controls for over one minute. To wake up the controls, press any pad on the controls and the lights will come on to show the previous settings.
- To turn this feature off, press and hold the SLEEP pad, on the unit, for 5 seconds. The unit will beep to signal the successful toggle of the feature on and off.

HEAT OR COOL MODE

Use the Heat or Cool mode at **Low, Med, High** or **Speed** for heating or cooling. Use the **Temperature Increase + / Decrease -** pads to set the desired temperature between 64°F and 86°F in 1°F increments.

An electronic thermostat is used to maintain the room temperature. The compressor will cycle on and off to keep the room at the set level of comfort. Set the thermostat at a lower number and the indoor air will become cooler. Set the thermostat at a higher number and the indoor air will become warmer.

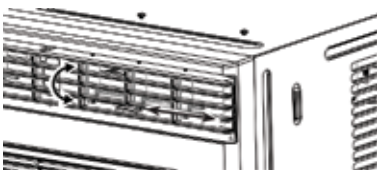
Cooling Descriptions

- **For Normal Cooling**—Select the Cool mode and High or Med fan with a middle set temperature.
- **For Maximum Cooling**—Select the Cool mode and High fan with a lower set temperature.
- **For Quieter and Nighttime Cooling**—Select the Cool mode and Low fan with a middle set temperature.

NOTE: If the air conditioner is off and is then turned on while set to a **Cool** setting or if turned from a fan setting to a **Cool** setting, it may take approximately 3 minutes for the compressor to start and cooling to begin.

AIR DIRECTION

Use the levels to adjust the air direction left or right. Tilt the louver to adjust up or down.



NOTE: Do Not Operate in Freezing Outdoor Conditions: This cool-only air conditioner was not designed for freezing outdoor conditions. It must not be used when the outdoor temperature is below freezing (32°F).

FAN ONLY MODE

Use the Fan Only Mode at Low, Med or High fan speed to provide air circulation and filtering without cooling. Since fan-only settings do not provide cooling, a Set temperature cannot be entered. The room temperature will appear in the display.

AUTO FAN MODE

Set to Auto for the fan speed to automatically set to the speed needed to provide optimum comfort settings with the set temperature. If the room needs more cooling, the fan speed will automatically increase. If the room needs less cooling, the fan speed will automatically decrease.

ECO MODE

Controls the fan.

- **ON**—The fan will cycle on and off with the compressor. This may result in wider variations of room temperature and humidity. **NOTE:** the fan may continue to run for a short time or may pulse intermittently after the compressor cycles off to sample the room air.
- **OFF**—The fan runs all the time, while the compressor cycles on and off.

REMOTE CONTROLS

- To ensure proper operation, aim the remote control at the signal receiver on the air conditioner.
- The remote control signal has a range of up to 20 feet.
- Make sure nothing is between the air conditioner and the remote control that could block the signal.
- Make sure batteries are fresh and installed correctly as indicated on the remote control.

CARE AND CLEANING

MAINTENANCE

GRILLE AND CASE

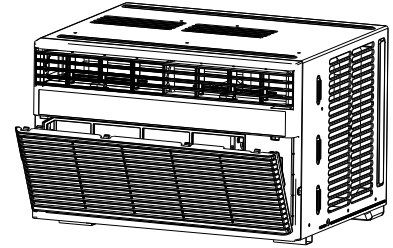
- Turn the air conditioner off and remove the plug from the wall outlet before cleaning.
- Clean filter by using warm water and a mild detergent. Do not use bleach or abrasives.

AIR FILTER

The air filter should be checked and cleaned at least every 30 days.

To Remove

- Open the grille by pulling downward on the tabs at the top corners. Remove the filter.
- Clean the filter with warm, soapy water. Rinse and let the filter dry before replacing it. Do not place filter in a dishwasher. Filter can also be vacuumed with a hose adaptor instead of washing it.

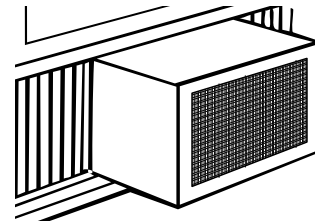


CAUTION

DO NOT operate the air conditioner without a filter as this will cause dirt and lint to build up and will reduce the performance of the unit.

OUTDOOR COILS

The coils on the outdoor side of the air conditioner should be checked regularly. If they are clogged with dirt or soot, they may need to be professionally cleaned. Coils may be cleaned with water or special dissolvent for copper coils.



HOW TO INSERT THE BATTERY IN THE REMOTE CONTROL

- 1 Remove the screw on the back of the battery cover.
- 2 Pinch the slide lock and pull the battery tray out at the same time.
- 3 Insert new battery, making sure that the (+) and (-) of battery are installed correctly.
- 4 Reinsert the battery tray and reinstall the screw.

NOTE: Use one CR 2025 (3V) Lithium battery. Remove the battery from the remote control if the system is not going to be used for a long time.

INSTALLATION INSTRUCTIONS

BEFORE YOU BEGIN

Read these instructions completely and carefully.

- **IMPORTANT** – Save these instructions for local inspector's use.
- **IMPORTANT** – Observe all governing codes and ordinances.
- **Note to Installer** – Be sure to leave these instructions with the Consumer.
- **Note to Consumer** – Keep these instructions for future reference.
- **Skill Level** – Installation of this appliance requires basic mechanical skills.
- **Completion Time** – Approximately 1 hour.
- We recommend that two people install this product.
- Proper installation is the responsibility of the installer.
- Product failure due to improper installation is not covered under the Warranty.
- You **MUST** use all supplied parts and use proper installation procedures as described in these instructions when installing this air conditioner.

ELECTRICAL REQUIREMENTS



2DANC24K
2DANCH18K
2DANCH24K

These models require:

- 230/208-volt AC, protected with a time-delay fuse or circuit breaker. These models should be installed on their own single branch circuit for best performance and to prevent overloading house or apartment wiring circuits, which could cause a possible fire hazard from overheating wires.
- The 3-prong grounding plug minimizes the possibility of electric shock hazard. If the wall outlet you plan to use is only a 2-prong outlet, it is your responsibility to have it replaced with a properly grounded 3-prong wall outlet.



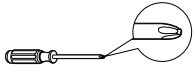
2DANC18K

CAUTION

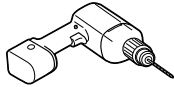
- Do not, under any circumstances, cut or remove the third (ground) prong from the power cord.
- Do not change the plug on the power cord of this air conditioner.
- Aluminum house wiring may create issues - consult a qualified electrician.

The power cord includes a current interrupter device. A test and reset button are provided on the plug case. The device should be tested on a periodic basis by first pressing the **TEST** button and then the **RESET** button while plugged into the outlet. If the **TEST** button does not trip or if the **RESET** button will not stay engaged, discontinue use of the air conditioner and contact a qualified service technician.

TOOLS REQUIRED



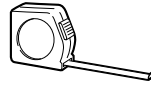
Phillips Head
Screwdriver



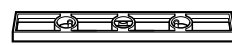
Drill and
1/8" Drill Bit



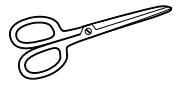
Pencil



Ruler or
Tape Measure



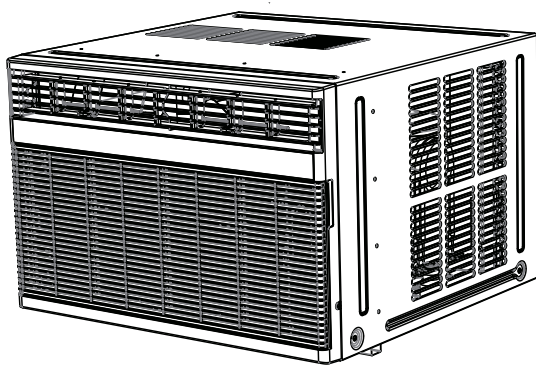
Level



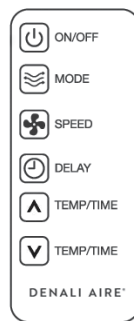
Scissors
or Knife

PARTS INCLUDED

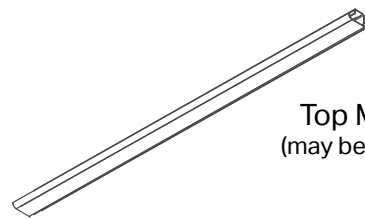
(Appearance may vary)



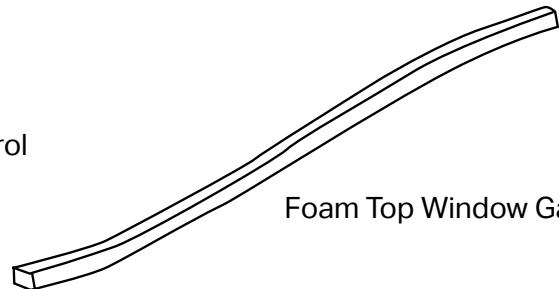
Air Conditioner



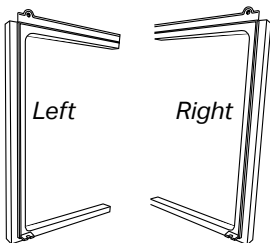
Remote Control



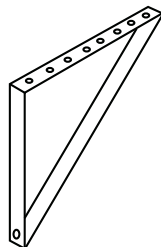
Top Mounting Rail
(may be installed already)



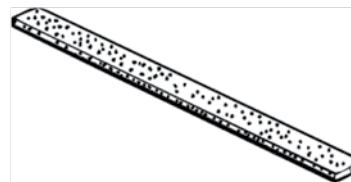
Foam Top Window Gasket



Accordion Panel Frame



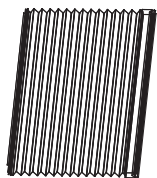
Installation
Bracket (2)



Bottom Seal and
Side Seals (6)



Window Locking
Bracket (1)



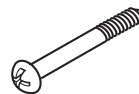
Accordion
Panels (2)



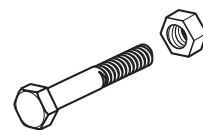
3/8" Self-tapping
Screws (12)



3/8" Bracket
Screws (6)



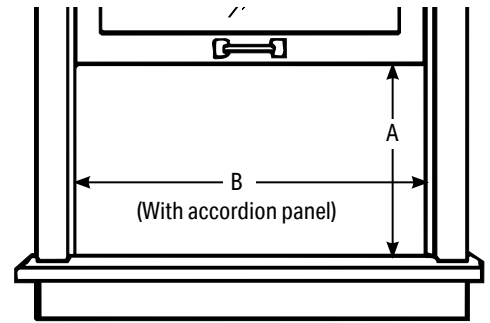
1" Wood
Screws (8)



2 1/2" Flat Head Bolt
and Lock Nut (2)

1 WINDOW REQUIREMENTS

- These instructions are for a standard double-hung window. You will need to modify them for other types of windows.
- The air conditioner can be installed without the accordion panels if needed to fit in a narrow window. See the window opening dimensions.
- All supporting parts must be secured to firm wood, masonry or metal.
- The electrical outlet must be within reach of the power cord.
- Follow the dimensions in the table and illustration for your model.



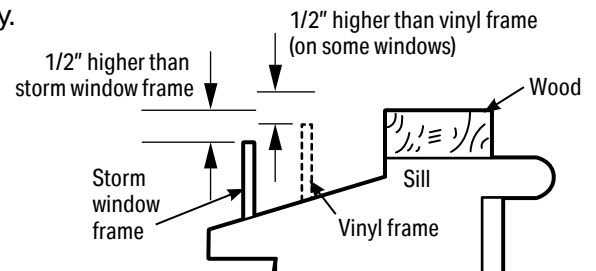
Models	A	B
2DANC18K	19 1/8" min	30" - 39"
2DANC24K		
2DANCH18K		
2DANCH24K		

2 STORM WINDOW REQUIREMENTS

- A storm window frame will not allow the air conditioner to tilt toward the outside and will keep it from draining properly. To adjust for this, attach a piece of wood to the sill.

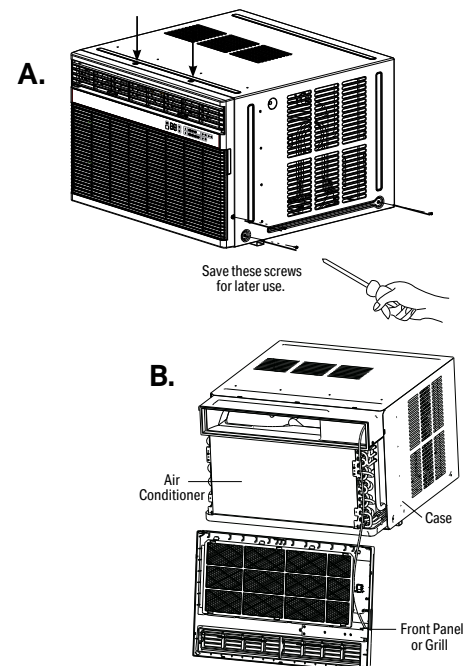
WOOD PIECES

- Width: 2"
 - Length: Long enough to fit inside the window frame.
 - Thickness: To determine the thickness, place a piece of wood on the sill to make it 1/2" higher than the top of the storm window frame or the vinyl frame.
- Attach securely with nails or screws provided by the installer.



3 PREPARE THE AIR CONDITIONER

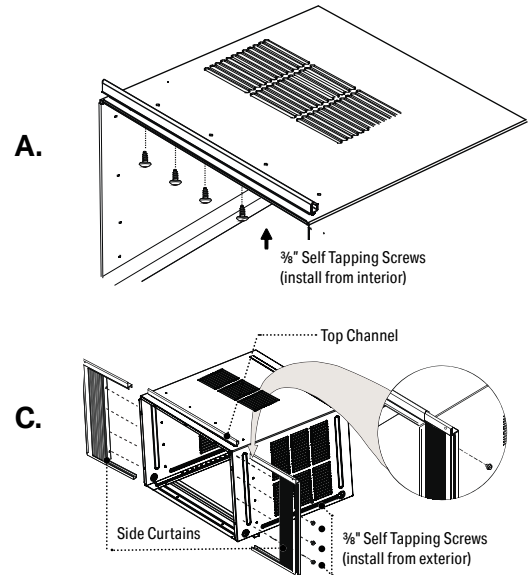
- Remove three screws on each side of the case, and two screws from the top. Save the screws for use later.
- Insert a flat head screw driver between the front grille and the metal case along the sides. Gently pry the grille from the case. NOTE: Cover the flat head screw driver with tape to prevent scratching the case.
- The front panel of the air conditioner is corded to the air conditioner. They cannot be separated.
- While one person holds the front panel, have a second person pull the air conditioner out of the case using the handle on the bottom front of the air conditioner.
- The air conditioner is very heavy so make sure that it will be resting on a sturdy surface.



4 PREPARE THE CASE

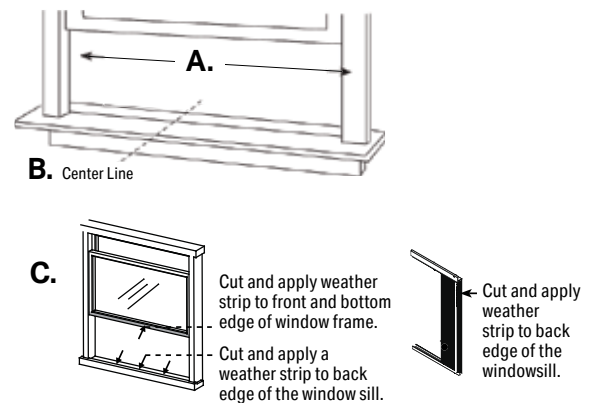
NOTE: Attach accordion panels to the air conditioner before placing the air conditioner in the window.

- A. Install top mounting rail (if not already installed) with four type A screws.
- B. Slide left-hand curtain assembly into left end of top and bottom mounting rail. Repeat for right hand curtain assembly.
- C. Fasten curtain retainer strips to the sides of the outer case with four type A screws on each side. Use 4 type B screws to secure the side panels in place.



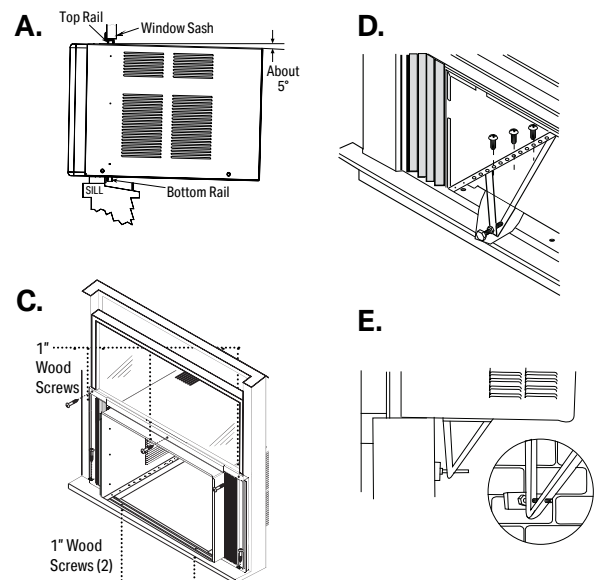
5 PREPARE WINDOW FOR INSTALLATION

- A. Measure the width of the window opening.
- B. Mark the center line on the inside windowsill.
- C. Apply the weather seals provided to the bottom, top and sides of the window to the seal around the perimeter of the air conditioner.



6 INSTALL OUTER CASE IN WINDOW

- A. Place outer case in window. Lower sash until it rests behind front flange of top mounting rail. Bottom mounting rail must rest behind window sill.
- B. Expand the curtain panels to fill the window. Secure with type C wood screws in top and bottom corners. If needed, use drill and 1/8 inch drill bit to drill pilot holes for the screws.
- C. Use three type C screws to secure the case to the window sill. Drill pilot holes, if necessary.
- D. Thread nut onto bolt, then thread the bolt into the triangle bracket as shown in Figure D.
- E. Attach triangle bracket onto bottom of case using three type B screws for each bracket. Make sure that the bracket is close enough to the outside wall that the bolt can touch. Adjust bolt so that it is snug against the outside wall.



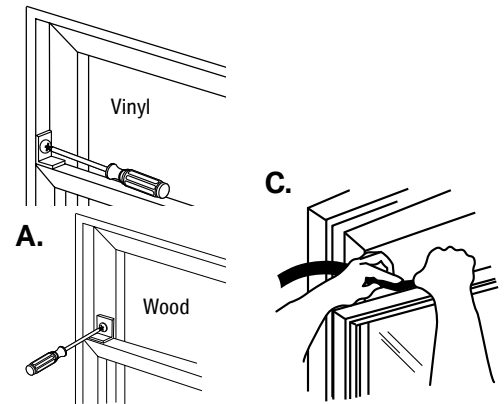
7 INSTALL WINDOW LOCKING BRACKET AND FOAM TOP WINDOW GASKET

- A. Use Type B Screw to install the window lock bracket on top of the bottom window.

CAUTION

If you have vinyl or other similarly constructed windows, attach the window locking bracket to the window side jamb with one Type B screw to prevent broken glass or damage to windows.

- B. Cut the foam top window gasket to the window width.
C. Stuff the foam between the glass and the window to prevent air and insects from getting into the room.



NOTE: If the gasket supplied does not fit your window, obtain the appropriate material locally to provide a proper installation seal.

8 RETURN CHASSIS TO THE OUTER CASE

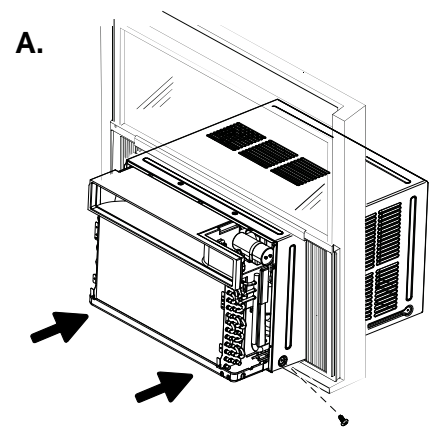
- A. Once the case is securely attached to the window, reinstall the air conditioner. Have two people lift the air conditioner and slide it into the case. Make sure that the corded front panel is positioned so that it does not interfere with sliding the air conditioner into the case.
B. Snap the front grille back onto the air beginning of the installation to secure the grille. Re-use screws from Step 3 on page 12.
C. Plug into a grounded 3-prong outlet.

WARNING

Electric Shock Hazard

Plug into a grounded 3-prong outlet. **Do not** remove ground prong. **Do not** use an adapter. **Do not** use an extension cord. Failure to follow these instructions can result in death, fire, or electrical shock.

- D. Press RESET on the power supply cord. See Electrical Requirements.



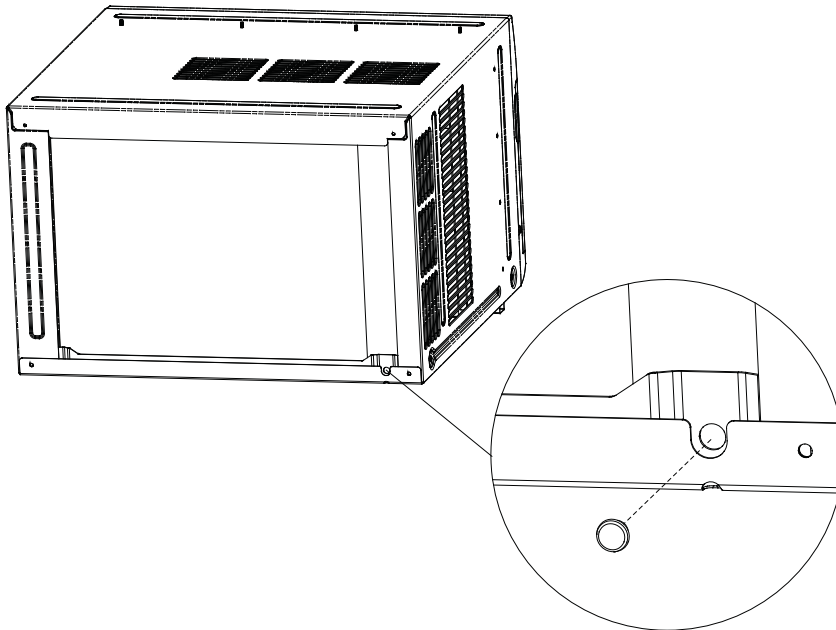
TROUBLESHOOTING TIPS

Review the chart for Troubleshooting Tips. If issue persists, please call for further assistance.

ISSUE	POSSIBLE CAUSE	WHAT TO DO
Air conditioner does not start	The unit is unplugged	Make sure the air conditioner plug is pushed completely into the outlet.
	The fuse is blown/circuit breaker is tripped	Check the house fuse/circuit breaker box and replace the fuse or reset the breaker.
	Power failure	The unit will automatically restart in the setting last used after the power is restored. There is a protective time delay (approximately 3 minutes) to prevent tripping of the compressor overload. For this reason, the unit may not start normal cooling for 3 minutes after it is turned back on.
	The current interrupter device is tripped	Press RESET button located on the power cord plug. If the RESET button will not stay engaged, discontinue use of the air conditioner and contact a qualified service technician.
Cool mode does not cool as it should	Indoor airflow is restricted	Make sure there are not curtains, blinds or furniture blocking the front of the air conditioner.
	The temp control may not be set properly	Turn the temperature control to a higher number.
	The air filter is dirty	Clean the filter at least every 30 days. See Care and Cleaning section.
	The room may have been hot	When the air conditioner is first turned on, you need to allow time for the room to cool down.
	Cold air is escaping	Check for open furnace registers and cold air returns.
	Cooling coils have iced up	See "Air conditioner freezing up" below.
Heat mode does not warm as it should	Indoor airflow is restricted	Make sure there are not curtains, blinds or furniture blocking the front of the air conditioner.
	The temp control may not be set properly	Turn the temperature control to a higher number.
	The air filter is dirty	Clean the filter at least every 30 days. See Care and Cleaning section.
	The room may have been cold	When the air conditioner is first turned on, you need to allow time for the room to warm up.
	Warm air is escaping	Check for open furnace registers and cold air returns.
Air conditioner freezing up	Cooling coils have iced up	Set the mode control at Fan Only or Hi Cool with the freezing up and stops the air conditioner temp control at a warmer setting.
Water drips outside	Hot, humid weather	This is normal.
Water drips inside	The air conditioner is not tilted to the outside	For proper disposal, make sure the air conditioner slants slightly from the case front to the rear.
Water collects in base pan	Moisture removed from air and drain into base pan	This is normal for a short period in areas with little humidity; normal for a longer period in very humid areas.
EP: Temperature Sensor Error		Please contact Denali Aire Customer Service at 888-433-6254 for troubleshooting support.

NORMAL OPERATING SOUNDS

- You may hear a pinging noise caused by water being picked up and thrown against the condenser on rainy days or when the humidity is high. This is normal, unit is equipped with a slinger blade which scoops up the water from the drain pan and throws it onto the coils for better efficiency.
- You may hear the thermostat click when the compressor cycles on and off.
- Water will collect in the base pan during high humidity or on rainy days. The water may overflow and drip from the outdoor side of the unit. The drain plug may be removed for quicker drainage.
- The fan may run even when the compressor does not.
- Drain plug may be removed for gravity drain but may reduce efficiency.
- DO NOT drill any holes.





5401 Dansher Road
Countryside, IL 60525

888-433-6254 | support@denali-aire.com | www.denali-aire.com