

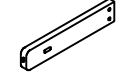



ASSEMBLY INSTRUCTIONS

DESCRIPTION: Foxford Tea Table

Parts required

NO	Drawing	Description	Q'TY
1		Bolt $\varnothing 1/4'' \times 45\text{mm}$	6PCS
2		Lock Washer $\varnothing 1/4''$	6PCS
3		Flat Washer $\varnothing 1/4'' \times 16\text{mm}$	6PCS
4		Allen Key 4mm	1PC
5		Screw $\varnothing 8 \times 32\text{mm}$	3PCS

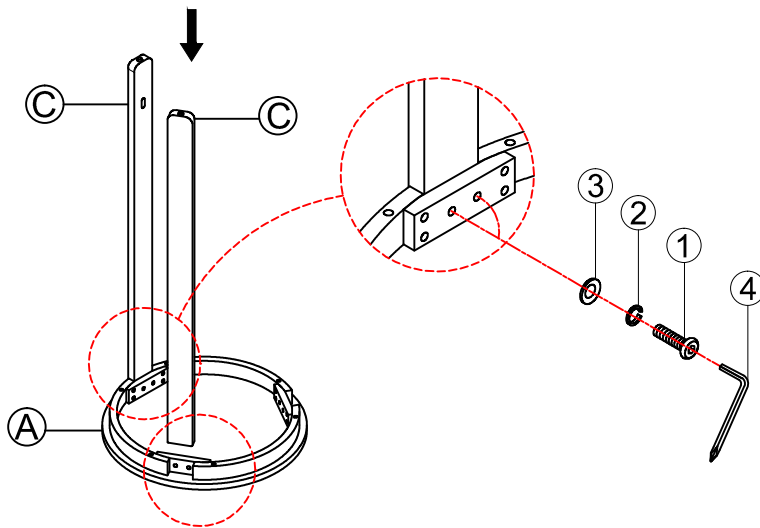
NO	Description	Q'TY
A		1 PC
B		1 PC
C		3 PCS
D		1 PC

Do not tighten screws completely until final step.

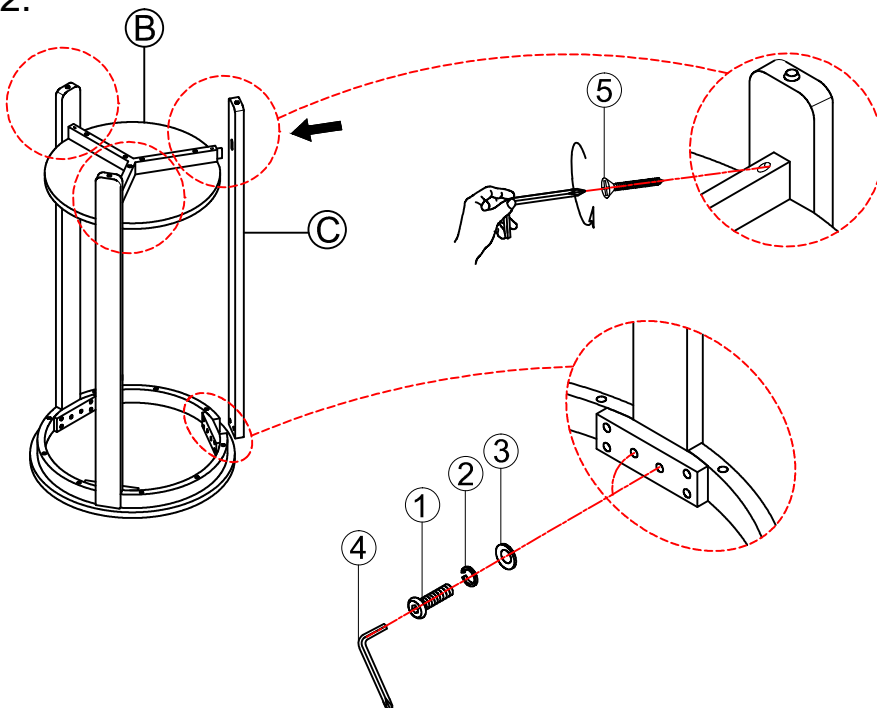
Ne serrez pas les vis complètement avant la dernière étape.

No ajuste los tornillos a fondo hasta el paso final.

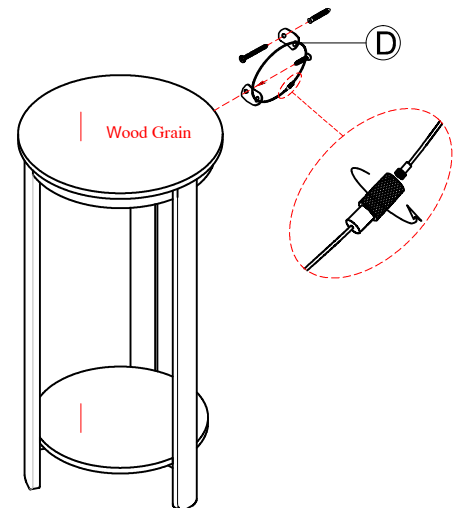
1.



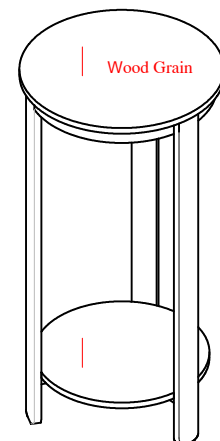
2.



3. TIP KIT BRACKET LOCATION/
EMPLACEMENT DU SUPPORT
DU KIT DE POINTE/
UBICACIÓN DEL SOPORTE DEL
KIT DE PUNTA



4.



Align wood grain on table
top and shelf during
assembly