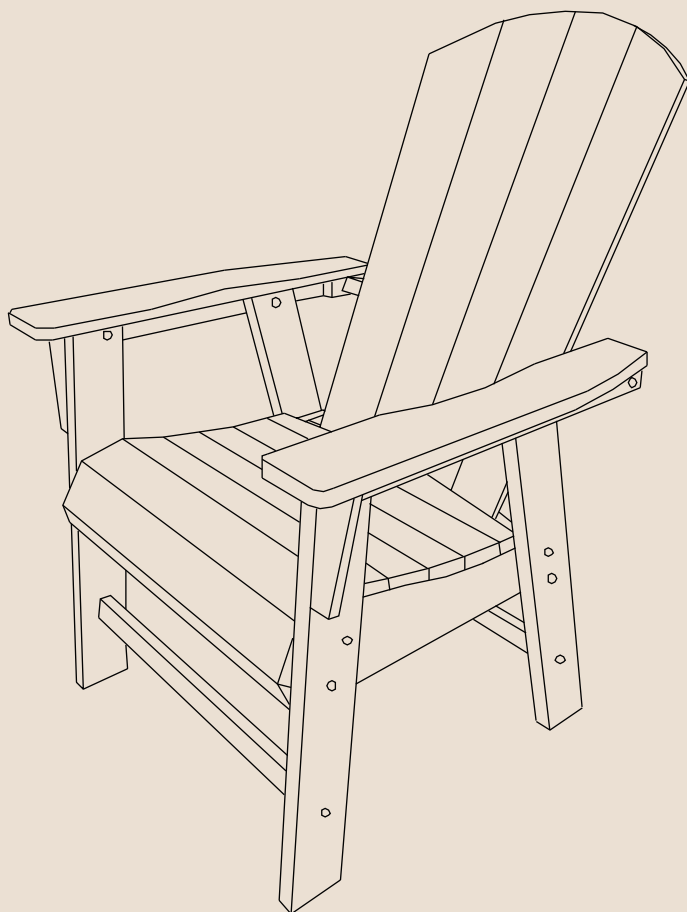


WWT
WESTINTRENDS
WWT

DESIGNED IN CALIFORNIA



ADIRONDACK CASUAL PATIO
DINING CHAIR

THANK YOU!

We appreciate you for choosing WestinTrends!

Thank you for letting WestinTrends continue to offer accessible luxury trends, inspired by everyone!

JOIN THE WESTINTRENDS COMMUNITY

Sign up here:

[***https://westintrends.com/welcome***](https://westintrends.com/welcome)



QUESTIONS OR COMMENTS?

If you have questions reach out to
[**cs@westintrends.com**](mailto:cs@westintrends.com)

FOLLOW, SHARE, & LEARN



PRODUCT REGISTRATION

[***https://westintrends.com/apps/product-registration***](https://westintrends.com/apps/product-registration)



ACCESSIBILITY - COMMUNITY - VALUE - SUSTAINABILITY

! NOTICE

Do not overtighten screws. (Insert all screws before tighten screws.)

- Please do not exceed the weight limitations of this item.
- Do not stand on or use any part of this item as a step ladder.
- Firmly secure all bolts, screws and nuts before use.
- Reconfirm that all bolts, screws, and nuts are secure every 90 days.
- Do not use or store this item in the proximity of open flame or flammable/combustible chemicals.
- Be aware that some parts are heavy and have sharp edges.
- Please adjust the speed slowly when you use electric drill for assembling to avoid screw slippage.

TOOLS REQUIRED



ALLEN WRENCH
(PROVIDED)



WRENCH
(PROVIDED)



CHAIR
330 LBS
CAPACITY



1 PERSON
ASSEMBLY



UP TO 30 MIN.
ASSEMBLY

HARDWARE

1

SCREW
M6 x 80mm



4 PCS

2

BOLT
M6 x 55mm



10 PCS

3

BOLT
M6 x 45mm



4 PCS

4

M6 NUT



10 PCS

5

M6 WASHER



10 PCS

6

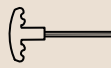
WRENCH



1 PC

7

ALLEN
WRENCH

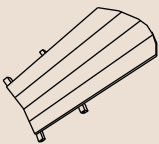


1 PC

PARTS

A

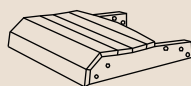
CHAIR BACKREST



1 PC

B

CHAIR SEAT



1 PC

C

RIGHT CHAIR ARM



1 PC

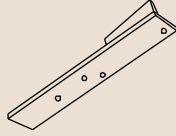
PARTS

D LEFT CHAIR ARM



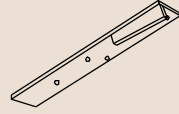
1 PC

E RIGHT CHAIR LEG



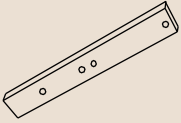
1 PC

F LEFT CHAIR LEG



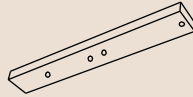
1 PC

G RIGHT REAR LEG



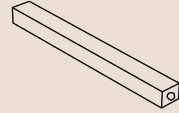
1 PC

H LEFT REAR LEG



1 PC

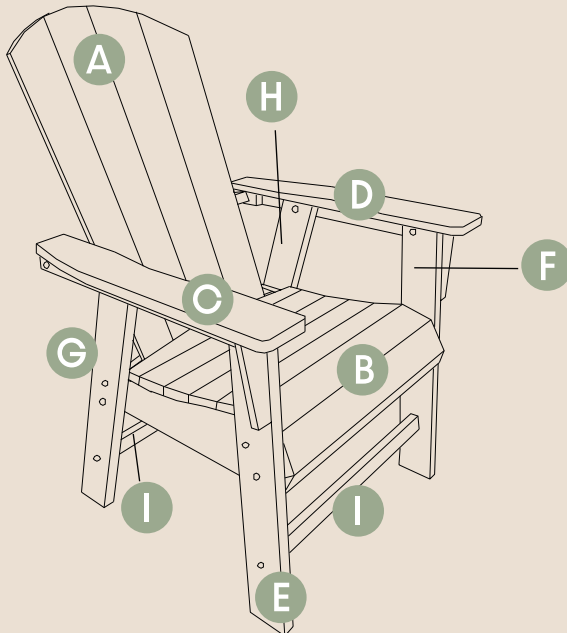
I RAIL



2 PCS

PRODUCT ASSEMBLY - OVERALL VIEW

Look at the overall view of this chair and learn the exact position of each part to be assembled.

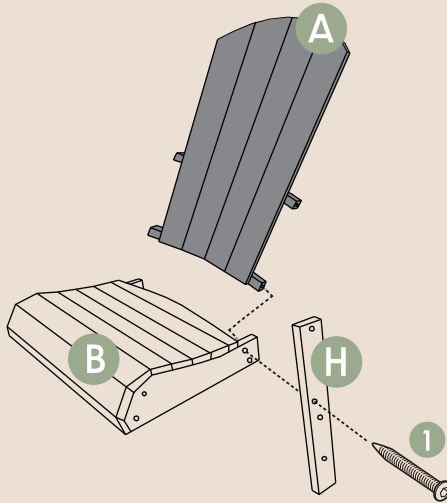


PRODUCT ASSEMBLY

1

Place **Part A Chair Backrest** and **Part B Chair Seat** as below, attach **Part H Left Rear Leg** to **Part B Chair Seat** and **Part A Chair Backrest** with 1 pc of **Hardware #1 Screw**.

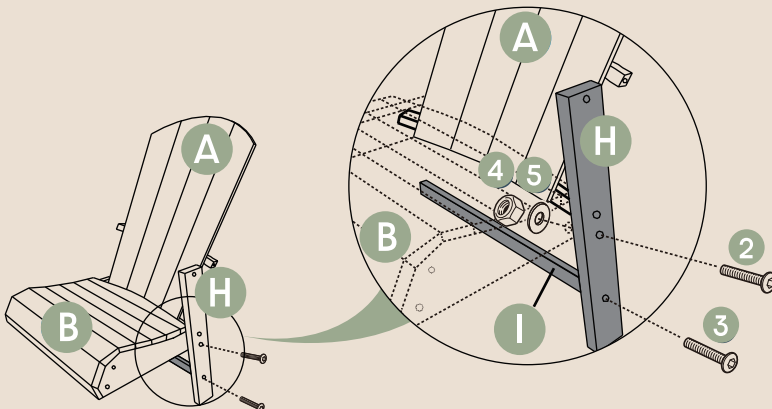
Do not tighten screws too much at this stage.



2

Attach **Part H Left Rear Leg** to **Part B Chair Seat** with 1 set of **Hardware #2 Bolt**, **Hardware #5 Washer** and **Hardware #4 Nut**.

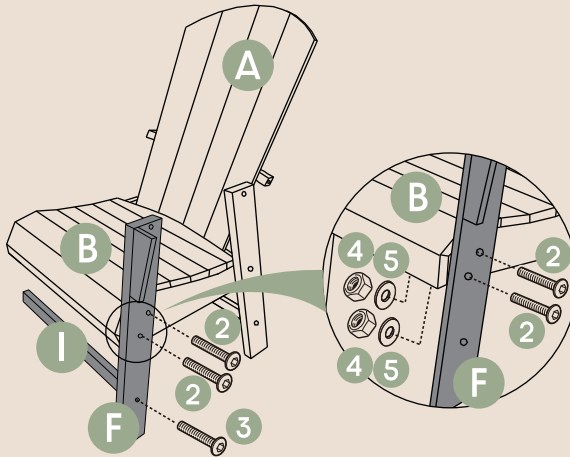
Attach **Part I Back Rail** to **Part H Left Rear Leg** with 1 pc of **Hardware #3 Bolt**.



3

Attach **Part F Left Chair Leg** to **Part B Chair Seat** with 2 sets of **Hardware #2 Bolt**, **Hardware #5 Washer** and **Hardware #4 Nut**.

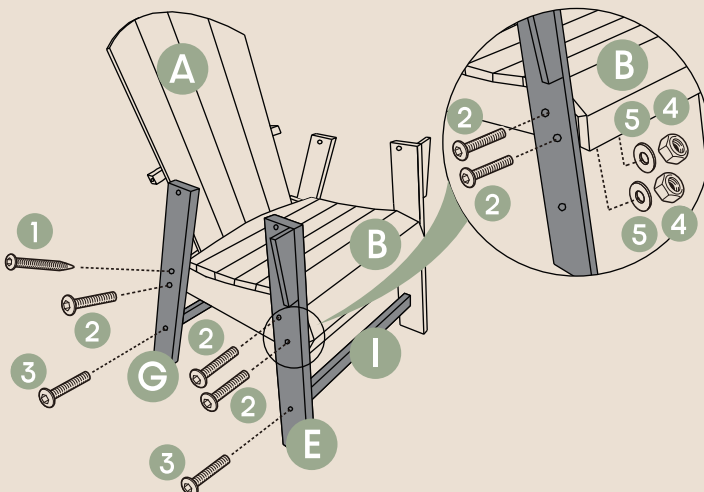
Attach **Part I Front Rail** to **Part F Left Chair Leg** with 1 pc of **Hardware #3 Bolt**.



4

Do the same to attach **Part E Right Chair Leg** and **Part G Right Rear Leg** to **Part A Chair Backrest** and **Part B Chair Seat** with 3 sets of **Hardware #2 Bolt**, **Hardware #5 Washer** and **Hardware #4 Nut** as well as 1 pc of **Hardware #1 Screw**.

Attach **Part E Right Chair Leg** and **Part G Right Rear Leg** to **Part I Rails** with 2 pcs of **Hardware #3 Bolt**.



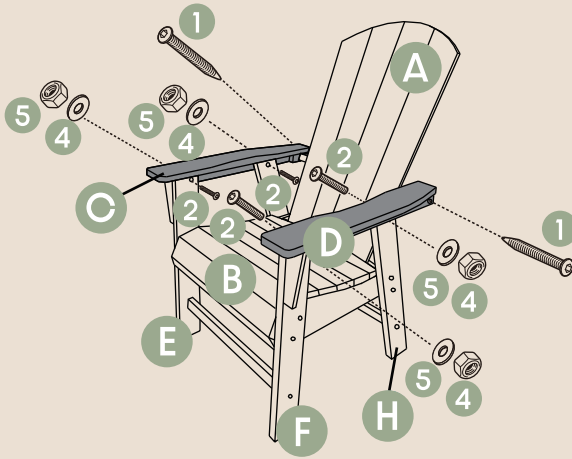
PRODUCT ASSEMBLY

5

Attach **Part D Left Chair Arm** to **Part A Chair Backrest** with 1 pc of **Hardware #1 Screw**.

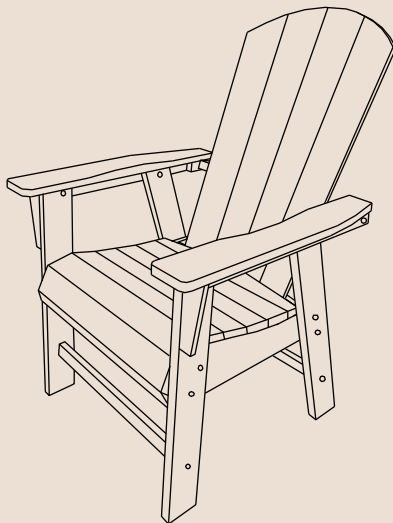
Attach **Part D Left Chair Arm** to **Part F Left Chair Leg** and **Part H Left Rear Leg** with 2 sets of **Hardware #2 Bolt**, **Hardware #5 Washer** and **Hardware #4 Nut**.

Do the same to attach **Part C Right Chair Arm** to the chair to finish the assembly.



6

Tighten all the bolts and screws again to ensure this chair is steady enough to use.



REGISTRATION & REFUND POLICY

<https://westintrends.com/apps/product-registration>



<https://westintrends.com/policies/refund-policy>



HAVING TROUBLE

- **Not sure how to assemble or missing pieces?**

Please contact our Customer Service Team for assistance at cs@westintrends.com

Have Order #, Part # or SKU ready to speed up customer service!

CLEANING TIPS

REGULAR CLEAN: Use a mixture of warm water and mild soap. Gently scrub the surface with a soft bristle brush to remove any dirt or stains.

QUICK CLEAN: You can simply wipe down the HDPE furniture with a damp cloth. The material's resilience makes it resistant to most spills and stains, ensuring a hassle-free maintenance routine.

Regular cleaning not only preserves the aesthetic appeal of your furniture but also helps extend its lifespan.

Pressure washer can be used for seriously deep-cleaning - **DO NOT exceed 1500 PSI** - this will remove debris and dirt.