

**Features**

- Integrated handles
- Convenient height for ease and comfortable use
- 21-7/8" x 17-3/8" x 13-1/8"
- Holds up to 300 lb

**Recommended Products/Accessories**

- 80001012 12" straight grab bar
- 80001018 18" straight grab bar



**Codes/Standards**

None Applicable

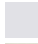

**STERLING® Vikrell® or Acrylic Baths and Shower Bases Ten-Year Limited Warranty**

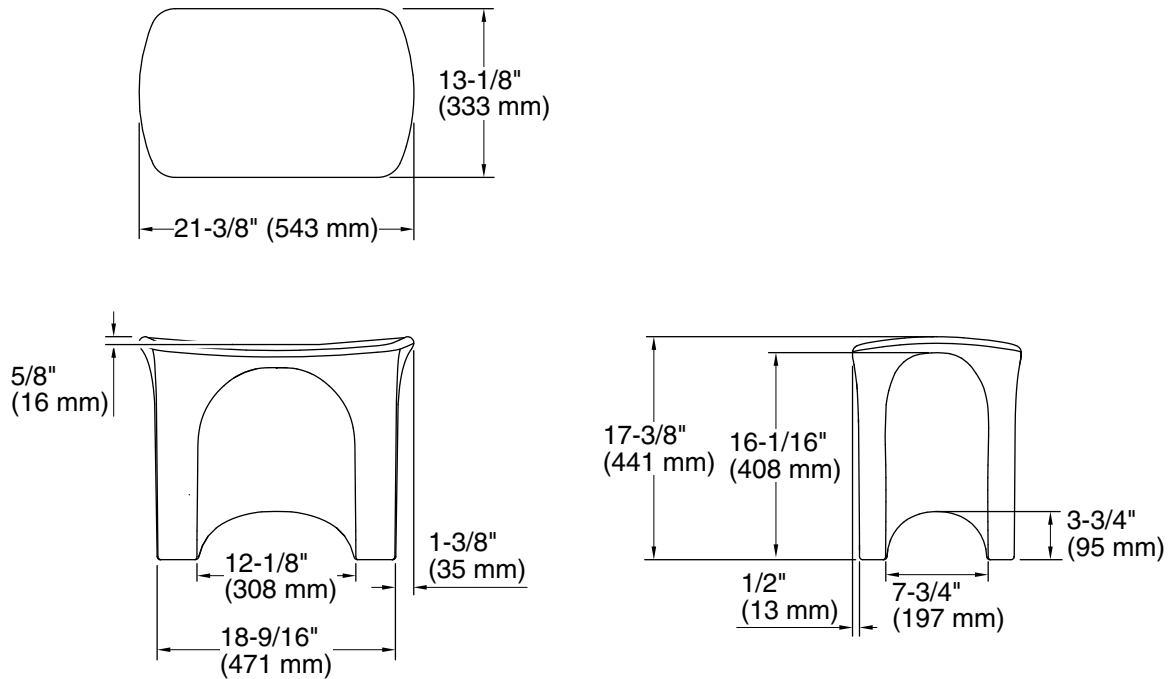
See website for detailed warranty information.

**Available Colors/Finishes**

*Color tiles intended for reference only.*

**Color Code Description**

	0	White
	96	Biscuit



**Technical Information**

All product dimensions are nominal.