

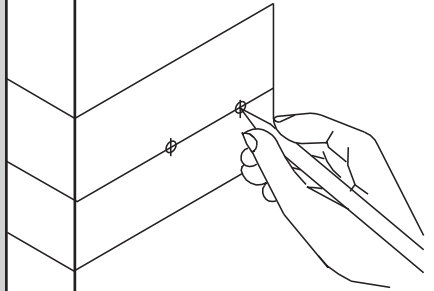
INSTALLATION INSTRUCTIONS FOR LEVER DUMMY TRIM

PRINT TO SCALE ONLY

STEP 1.

Hole Preparation

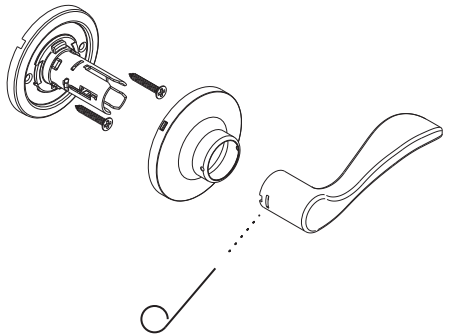
- Place the template on the door face in the desired location.
- Mark the location for the two holes.
- Drill 2 x 3mm holes 25mm deep.



STEP 2.

Install Dummy Trim

- Place the base plate on the door face over the drilled holes.
- Insert the two screws through the screw holes in the rose plate and tighten firmly.
- Place rose cap over base and place spigot.
- Push lever over post until it clicks in place.



PRINT TO SCALE ONLY
**Installation template
for dummy
applications**

Fit here on
door edge

FOLD HERE

Drill 2 x 3mm holes
25mm deep

41mm

BACKSET 60mm

BACKSET 70mm



Made in China to
Allegion Specifications

PDGT0010R1 Revised May 2021

