

AXOR ShowerSelect
Thermostatic Trim Square for 2 Functions
 Finishes : **chrome** Part no. : **36715001**



Description

Features

- Outlets may be operated simultaneously
- Select push-button on/off control for 2 outlets
- Flow: 8.0 GPM (30.3 L/Min) / 2.0 GPM (7.6 L/Min)
- Thermostatic cartridge, Start/stop cartridge
- Anti-scald 100° safety stop
- Optimized for water-efficient shower products
- Optional accessory to limit total flow to 2.0 GPM @ 80 psi where required

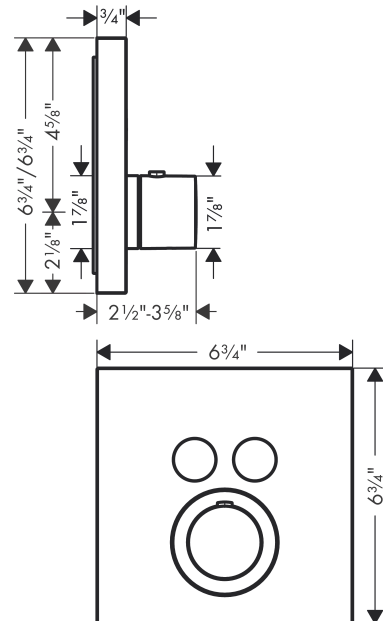
Technology



Product image



Scale drawing

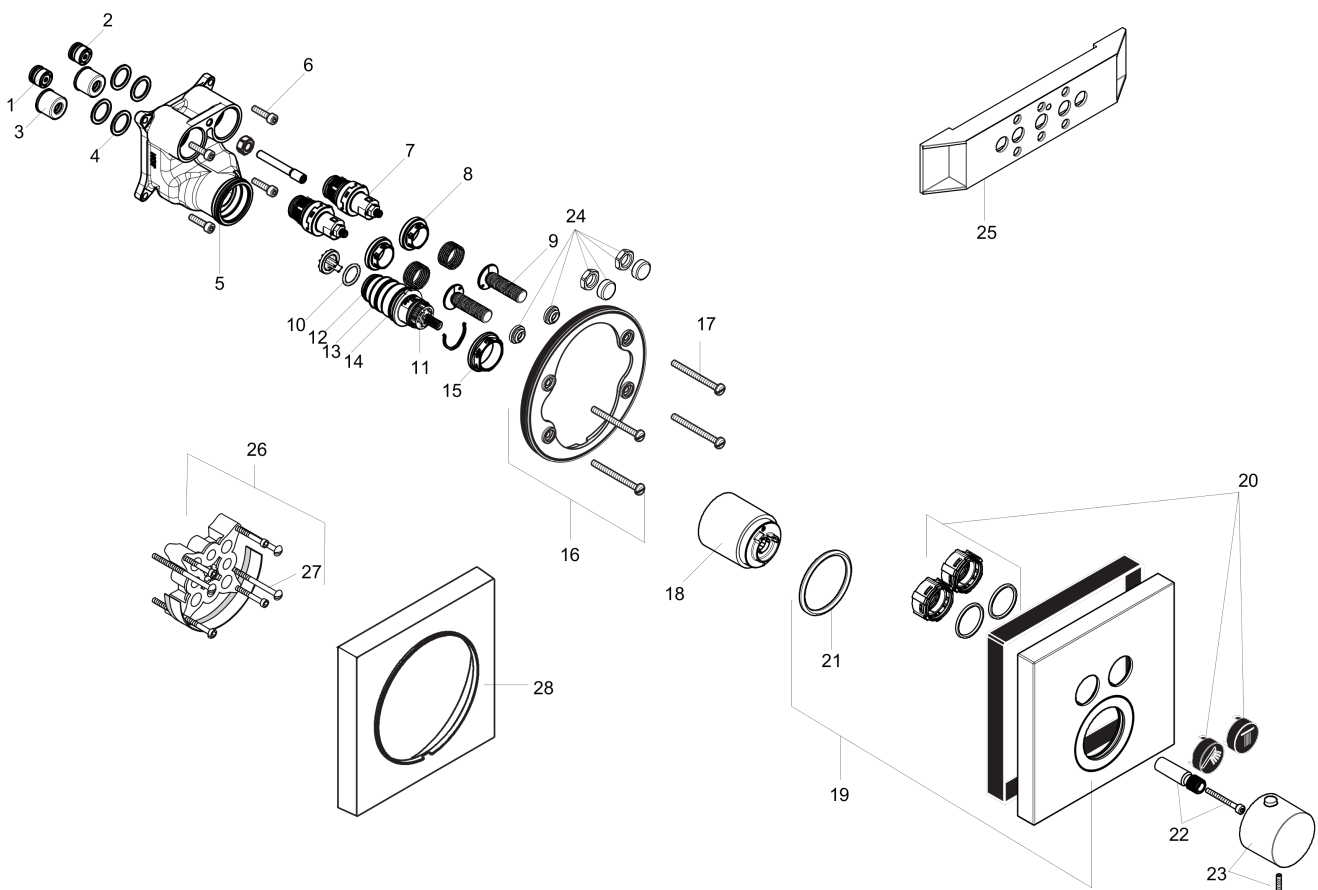


AXOR ShowerSelect
Thermostatic Trim Square for 2 Functions
Finishes : **chrome** Part no. : **36715001**



Exploded drawing

Year of production: >10/17



AXOR ShowerSelect
Thermostatic Trim Square for 2 Functions
 Finishes : **chrome** Part no. : **36715001**



Spare parts list

Year of production: >10/17

| Pos. | Description | Part no. | PC | PU |
|------|---|----------|----|----|
| 1 | non return valve (pressure-resistant up to 2 MPa) | 92594000 | 0 | 1 |
| 2 | non return valve | 97980000 | 0 | 1 |
| 3 | noise reduction | 94073000 | 0 | 1 |
| 4 | O-ring 16x2 | 98133000 | 0 | 1 |
| 5 | O-ring 36x2 | 98156000 | 0 | 1 |
| 6 | set of screws | 96525000 | 0 | 1 |
| 7 | shut off unit | 95758000 | 0 | 1 |
| 8 | nut | 98368000 | 0 | 1 |
| 9 | Select-adapter | 92219000 | 0 | 1 |
| 10 | O-ring 16x2,5 | 98134000 | 0 | 1 |
| 11 | thermostat cartridge | 98282000 | 0 | 1 |
| 12 | O-ring 20x1,5 | 98197000 | 0 | 1 |
| 13 | O-ring 25x1,5 | 98146000 | 0 | 1 |
| 14 | O-ring 25x2,5 | 92146000 | 0 | 1 |
| 15 | nut | 98913000 | 0 | 1 |
| 16 | holder for escutcheon | 98793000 | 0 | 1 |
| 17 | set of fixing screws | 96454000 | 0 | 1 |
| 18 | sleeve | 92216000 | 0 | 1 |
| 19 | escutcheon 170 / 170 mm | 92642001 | 0 | 1 |
| 20 | set of symbols | 92544610 | 0 | 1 |
| 21 | O-Ring 48x3 | 95508000 | 0 | 1 |
| 22 | adapter for handle | 98701000 | 0 | 1 |
| 23 | handle for thermostat | 92534000 | 0 | 1 |
| 24 | nut and flange | 92696000 | 0 | 1 |
| 25 | fit-up aid | 92540000 | 0 | 1 |
| 26 | extension 25 mm | 13595000 | 0 | 1 |
| 27 | set of fixing screws | 97747000 | 0 | 1 |
| 28 | extension 22 mm | 97407000 | 0 | 1 |
| a | cartridge for exchanged connections | 92373000 | 0 | 1 |
| b | compensation set 1° | 95521000 | 0 | 1 |
| c | symbol head shower Rain large | 93571610 | 0 | 1 |
| d | symbol head shower Rain small | 93572610 | 0 | 1 |
| e | symbol handshower | 93573610 | 0 | 1 |
| f | symbol Flood jet | 93574610 | 0 | 1 |

AXOR ShowerSelect
Thermostatic Trim Square for 2 Functions
 Finishes : **chrome** Part no. : **36715001**



Spare parts list

Year of production: >10/17

| Pos. | Description | Part no. | PC | PU |
|------|--------------------|----------|----|----|
| g | symbol Whirl | 93575610 | 0 | 1 |
| h | symbol Mono | 93576610 | 0 | 1 |
| i | symbol tub | 93577610 | 0 | 1 |
| j | symbol body shower | 93578610 | 0 | 1 |
| k | symbol ON/OFF | 93579610 | 0 | 1 |