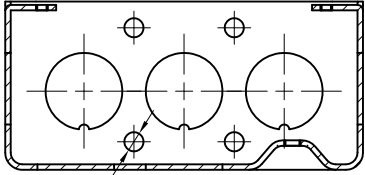
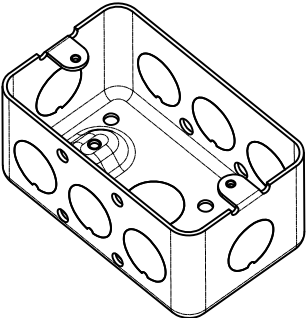


SIDES	BOTTOM
8 1/2" KNOCKOUTS	2 1/2" KNOCKOUTS
	1 Ground Hump
Material: Steel-0.0625"-G60 Galvanized	

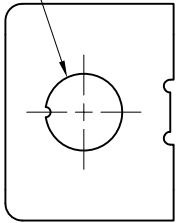


4- \varnothing 5.6 [\varnothing 0.22] hole

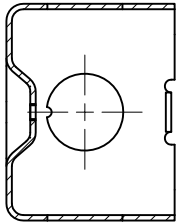
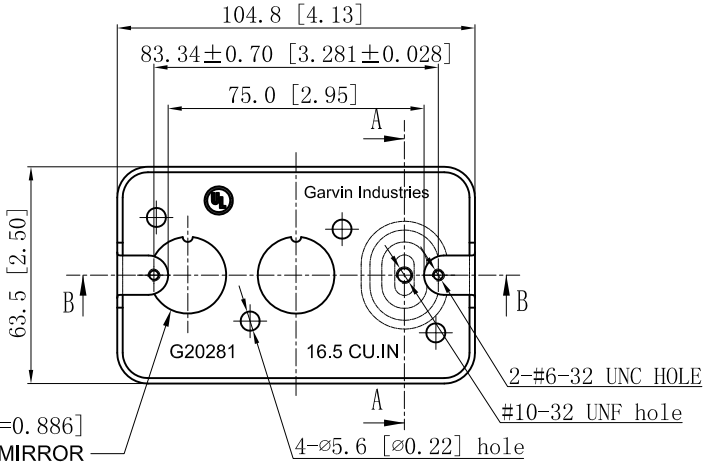
CUTAWAY VIEW B-B



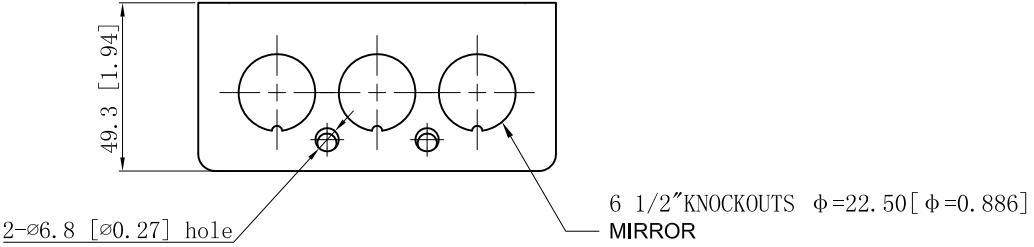
2 1/2" KNOCKOUTS $\phi = 22.50$ [$\phi = 0.886$]
MIRROR



2 1/2" KNOCKOUTS $\phi = 22.50$ [$\phi = 0.886$]
MIRROR



CUTAWAY VIEW A-A



This data sheet is for reference only .GARVIN INDUSTRIES reserves the right to make changes to the design without prior notice.

DESCRIPTION
TRADE REFERENCE TERMS

STANDARD PACKING
25 PCS

GARVIN INDUSTRIES		
TITLE HANDY UTILITY BOXES & EXTENSION RINGS		
SIZE A4	DWG NO. G20281	REV A
DATA SHEET		