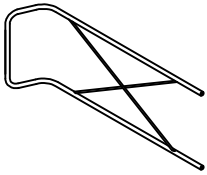


ASSEMBLY INSTRUCTION

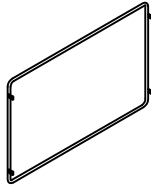
BAR CART

A Side Frame



2pcs

B Shelf Ring



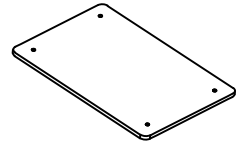
2pcs

C Cross Bar



4pcs

D Shelf Panel



2pcs

E Bolt
Ø1/4"x12mm



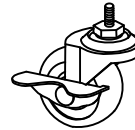
16pcs

F Bolt
Ø1/4"x25mm



8pcs

G Caster
(With Lock)



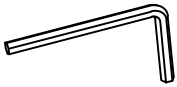
2pcs

H Caster
(Without Lock)



2pcs

I Allen Key
M4

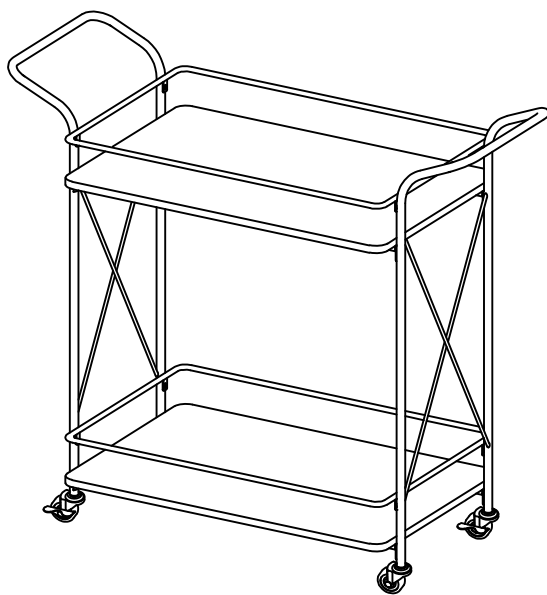


1pc

J Spanner

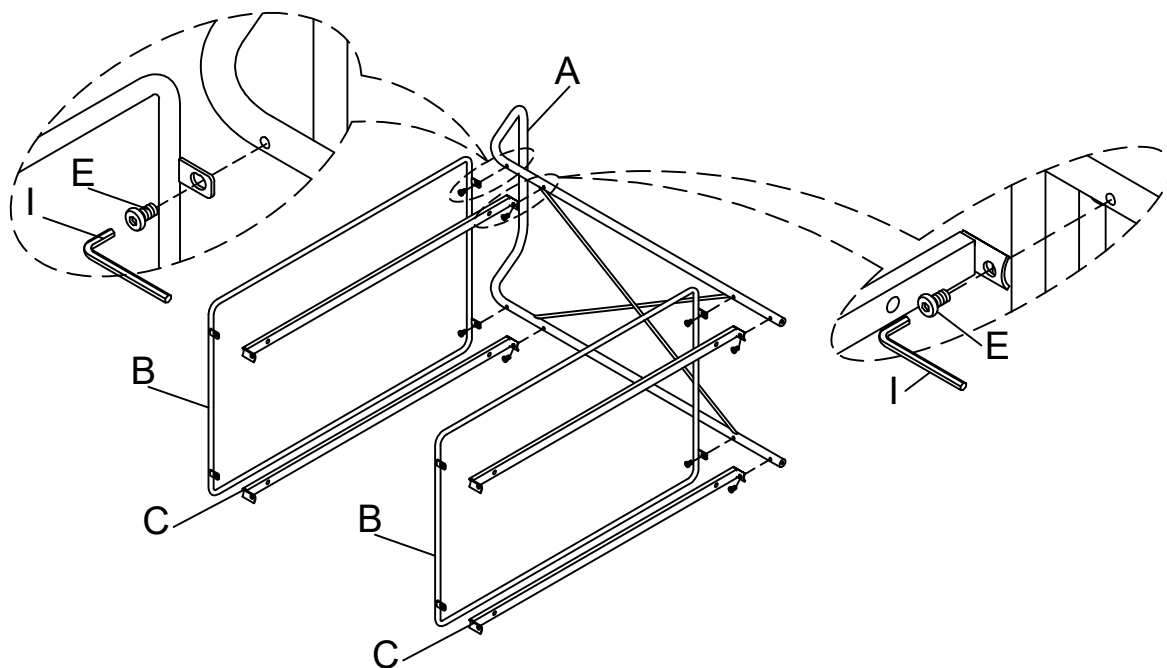


1pc

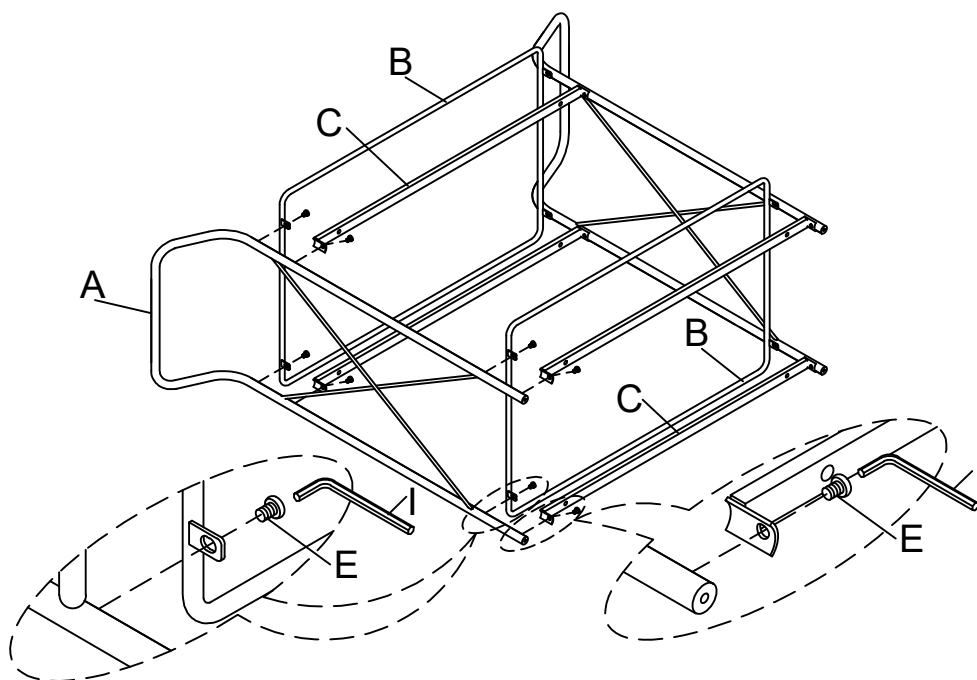


This page lists all the contents included in the box. Please take the time to identify the hardware as well as the individual components to this product. As you unpack and prepare for assembly, place the contents on a carpeted or padded area to protect them from damage.

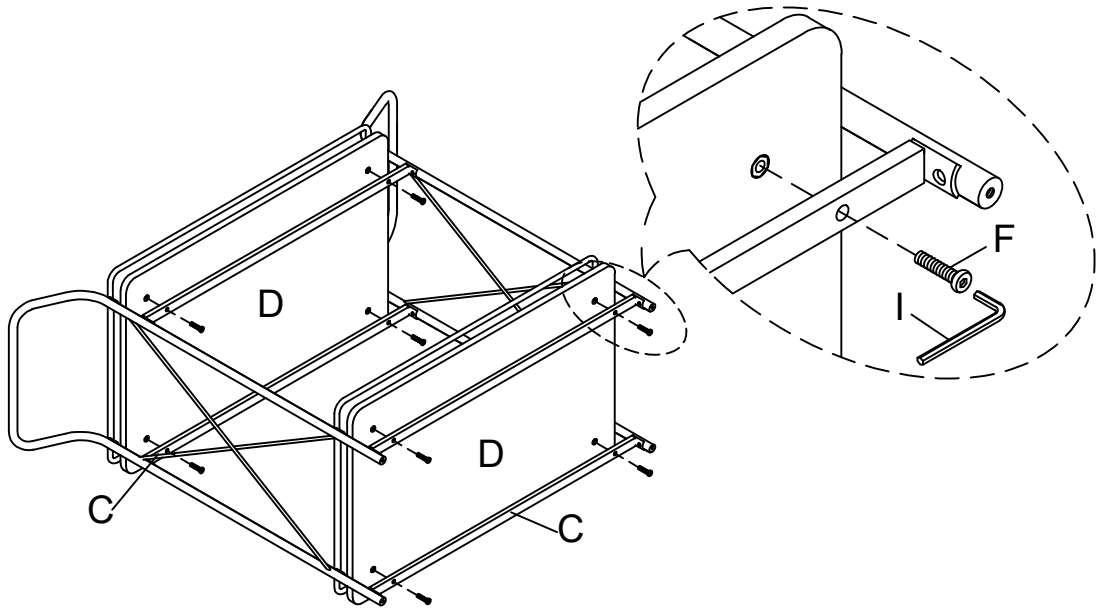
- 1** Attach Shelf Ring (B) & Cross Bar (C) to one piece of Side Frame (A) using Bolt (E) by Allen Key (I) as below shown.



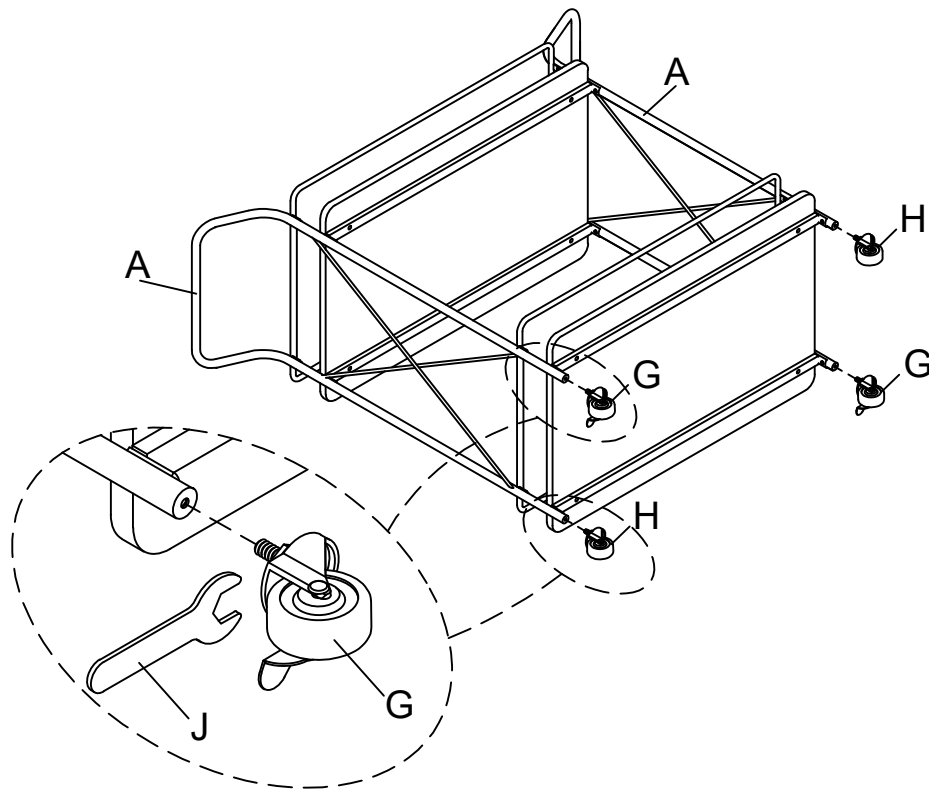
- 2** Attach Shelf Ring (B) & Cross Bar (C) to the other piece of Side Frame (A) using Bolt (E) by Allen Key (I) as below shown.



3 Attach Shelf Panel (D) to Cross Bar (C) using Bolt (F) by Allen Key (I) as below shown.



4 Attach Caster (G) & Caster (H) to Side Frame (A) by Spanner (J) as below shown.



Cleaning & Care

Treat surface with care. Surface is resistant to scratches but is not scratch resistant. Clean surfaces with a dry or damp soft cloth. Do not use abrasive cleaners. Hardware may loosen over time. Periodically check that all connections are tight.