

# DRAKE DRESSER MIRROR ASSEMBLY INSTRUCTIONS



## BOX 1 - DRESSER MIRROR

PART NO.	IMAGE	DESCRIPTION	QUANTITY
A		MIRROR	1
B		MIRROR SUPPORT	2

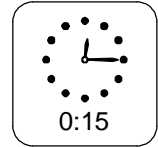
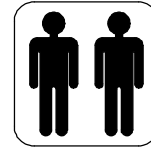
## BOX 2 - 6 DRAWER DRESSER

\*SOLD SEPARATELY

PART NO.	IMAGE	DESCRIPTION	QUANTITY
C		DRESSER	1

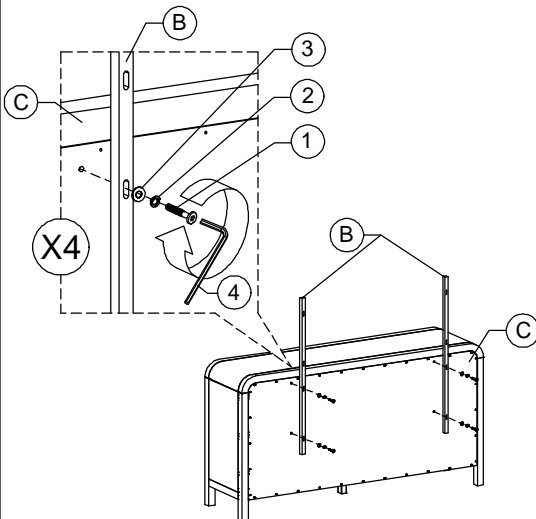
## MIRROR HARDWARE KIT PACKED IN BOX 1

1		ALLEN BOLT (6X45mm)	8
2		SPRING WASHER (M6)	8
3		FLAT WASHER (M6)	8
4		ALLEN KEY	1

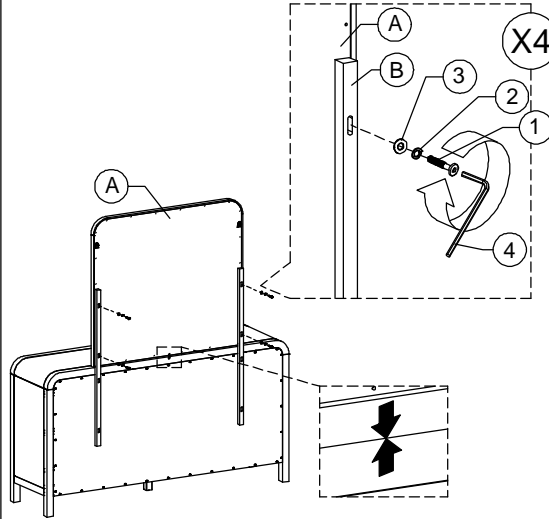


## OPTION 1 : DRESSER MOUNTING

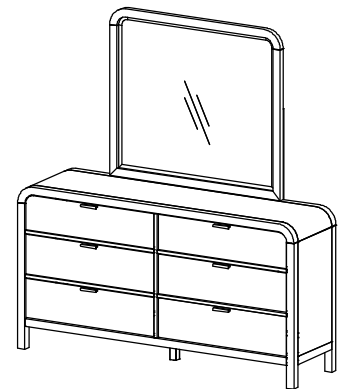
### STEP 1 :



### STEP 2 :



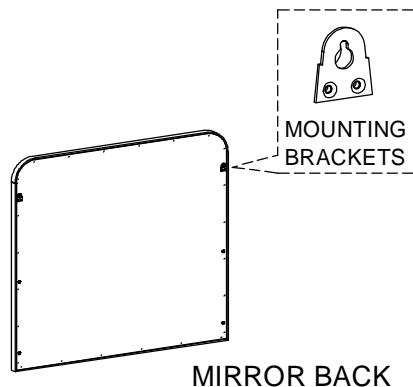
### STEP 3 :



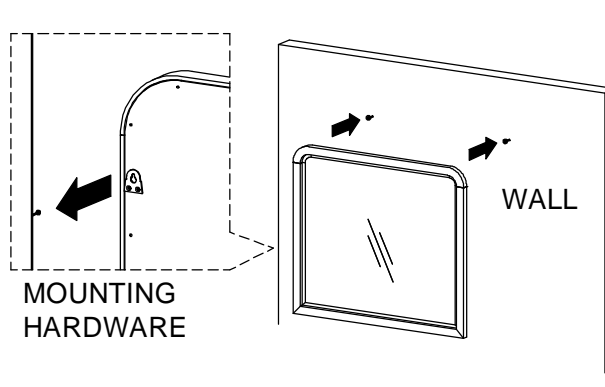
**ASSEMBLY COMPLETE**

## OPTION 2 : WALL MOUNTING

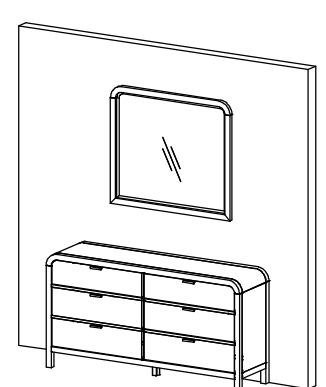
### STEP 1 :



### STEP 2 :



### STEP 3 :



**ASSEMBLY COMPLETE**