

# 91522 INSTALLATION INSTRUCTIONS

Please read carefully and save these instructions as you may need them a later date.

## CAUTION

**WARNING:** Risk of Fire. Consult a qualified electrician to ensure correct branch circuit conductor.

Turn off the main power at the circuit breaker before installing the fixture in order to prevent possible shock.

## GENERAL

All electrical connections must be in accordance with local and National Electrical Code (N.E.C.) standards. If you are unfamiliar with proper electrical wiring connections obtain the services of a qualified electrician.

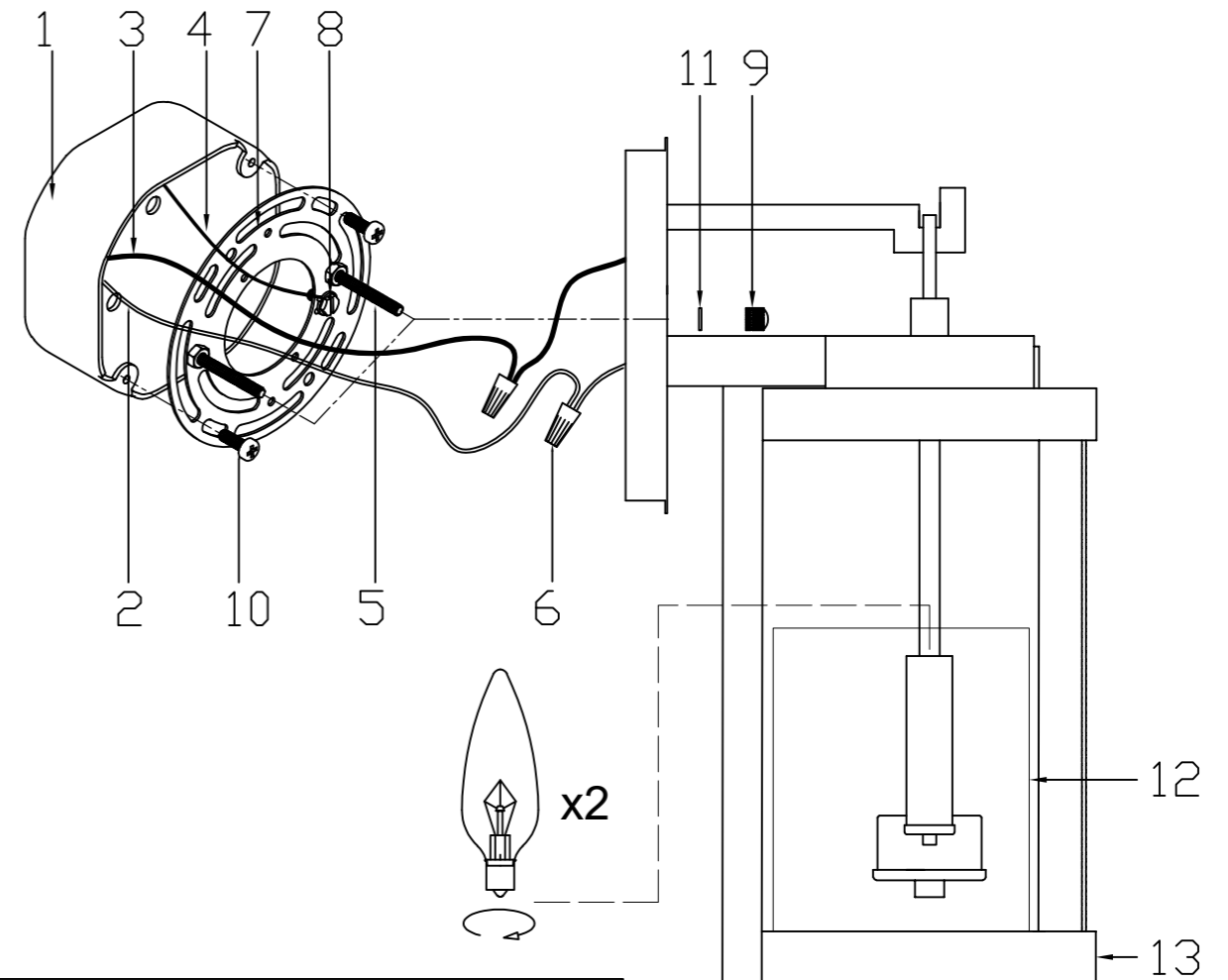
Remove the fixture and the mounting package from the box and make sure that no parts are missing by referencing the illustration.

## ASSEMBLY AND INSTALLATION

1. Install the lamp shade(12) onto the fixture(13), then attach the metal ring(14) to the fixture bottom and secure them with screws(15).
2. Attach the mounting plate (7) with outlet box screw (10) to the outlet box (1).
3. Pull out the outlet wire and ground wire from the outlet box. Make wire connections with wire cap (6).  
--Ribbed wire (w/o marking) or white wire from light to White wire(2) from power source  
--Smooth wire (w marking) or black wire from light to Black wire(3) from power source  
--Connect the ground wire from the outlet box and the ground wire from the fixture to the ground screw. Tighten the ground screw(8) to secure ground wires to the mounting plate(7).
4. Attach the fixture backplate through mounting screw (5) to the outlet box (1), thread the rubber washer(11) through mounting screw (5) and secure it with finial (9).
5. Install bulbs: (bulbs not included)  
(Don't exceed the maximum capacity recommended on the sockets).

**INSTALLATION IS NOW COMPLETED**

- |                  |                     |
|------------------|---------------------|
| 1.OUTLET BOX     | 9.FINIAL            |
| 2.WHITE WIRE     | 10.OUTLET BOX SCREW |
| 3.BLACK WIRE     | 11.RUBBER WASHER    |
| 4.GROUND WIRE    | 12.LAMP SHADE       |
| 5.MOUNTING SCREW | 13.FIXTURE          |
| 6.WIRE CAP       | 14.METAL RING       |
| 7.MOUNTING PLATE | 15.SCREW            |
| 8.GROUND SCREW   |                     |



After securing fixture to the wall it is recommended that the gap between the wall and the fixture backplate be sealed on the top and both sides, with a good quality waterproof caulk or silicone sealant (NOT INCLUDED)-see below drawing.

