



Thank you for purchasing Leick Furniture products.
Contact customer service for comments or concerns.







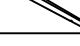



Sheboygan, WI

920-451-4060

info@leickfurnituresince1910.com

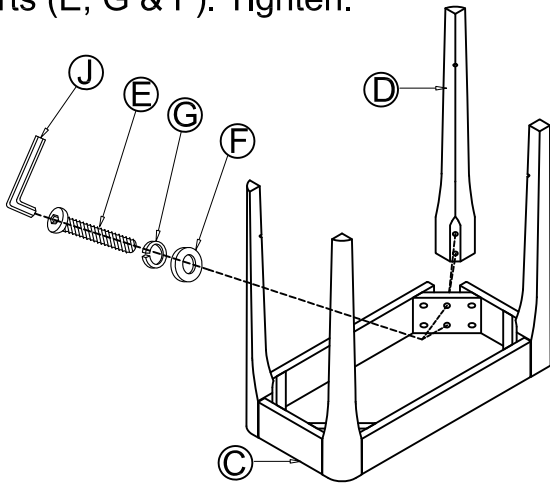
www.leickfurnituresince1910.com

Assembly Instructions, #11105 Narrow Chairside Table

A: Glass Top		F: (8) Flat Washers	
B: Shelf		G: (8) Lock Washers	
C: Side Frame		H: (4) Suction cups	
D: (4) Legs		I: (4) Shelf Supports	
E: (8) Bolts		J: Allen Wrench	

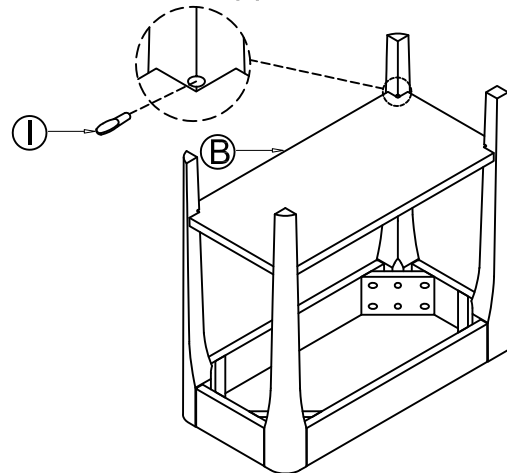
Step 1

Fasten the four legs to the side frame with parts (E, G & F). Tighten.



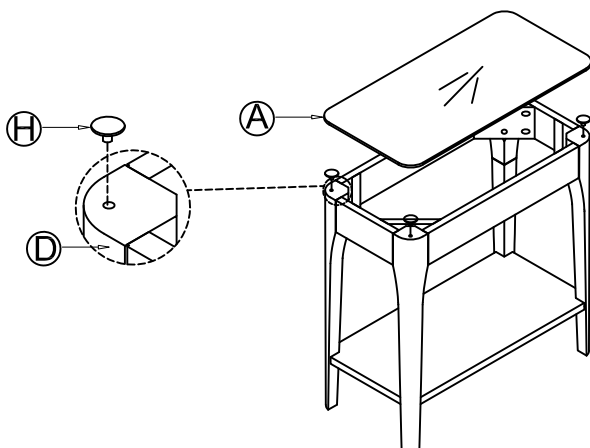
Step 2

Place the shelf upside down into the table. Insert the shelf supports.



Step 3

Place the table right side up. Put the suction cups on before placing the glass top.



Step 4

