

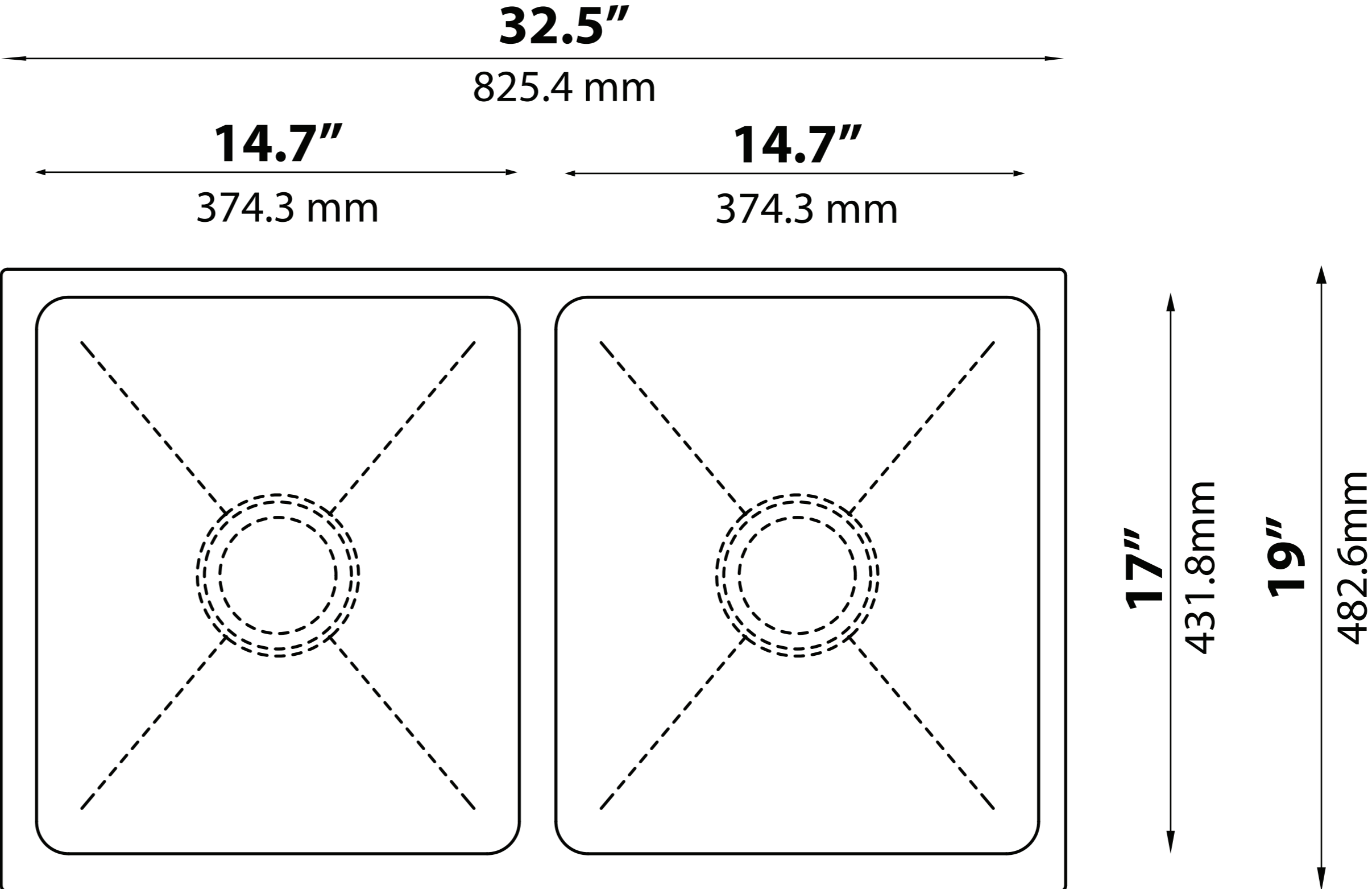
# Kräus<sup>®</sup>

www.kraususa.com

**Model No.  
KHU6N2-33**

**Undermount Cut-out**

Pro Hotline: 516.801.8955  
Customer Service: 800.775.0703



Please use outer edge for Positive reveal 3/8" →  
Please tear perforated edge for zero / flushed reveal →  
Please cut along inner solid line for Negative reveal 1/8" →

**NOTES:** Cutout template is provided as a guide **ONLY** and must be checked against actual sink to verify correct fit.