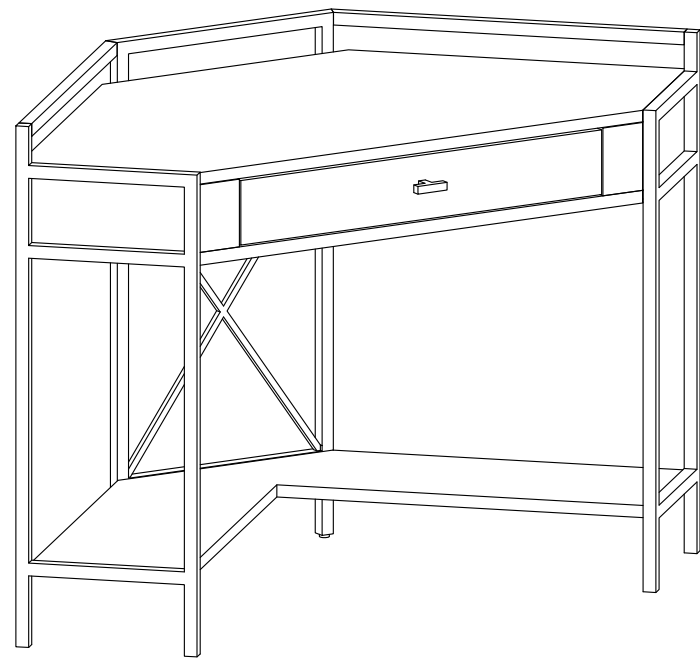


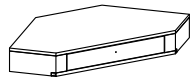
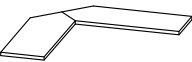

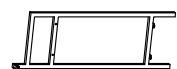







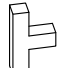
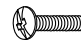
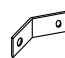
Assembly Instructions, #9230-WTGL Claudette Corner Desk

Note:

A packet with complete set of hardware can be found by pulling the red ribbon that's easily visible upon opening the box.

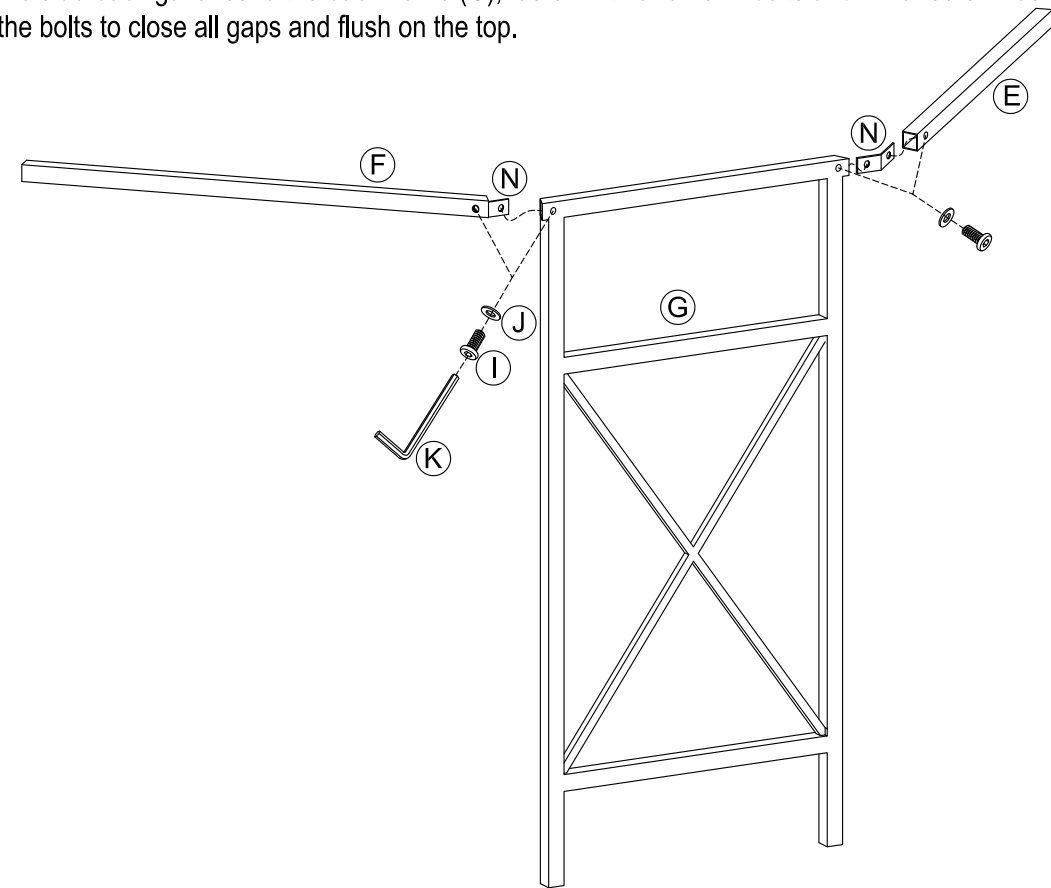


Parts List

A	Top Assembly		1
B	Shelf		1
C	Left Side Frame		1
D	Right Side Frame		1
E	Left Side Back Gallery		1
F	Right Side Back Gallery		1
G	Back Frame		1
H	Long Bolts		6
I	Short Bolts		12
J	Flat Washers		18
K	Allen Wrench		1
L	Door Pull		1
M	Machine Screw		1
N	Metal plates		2

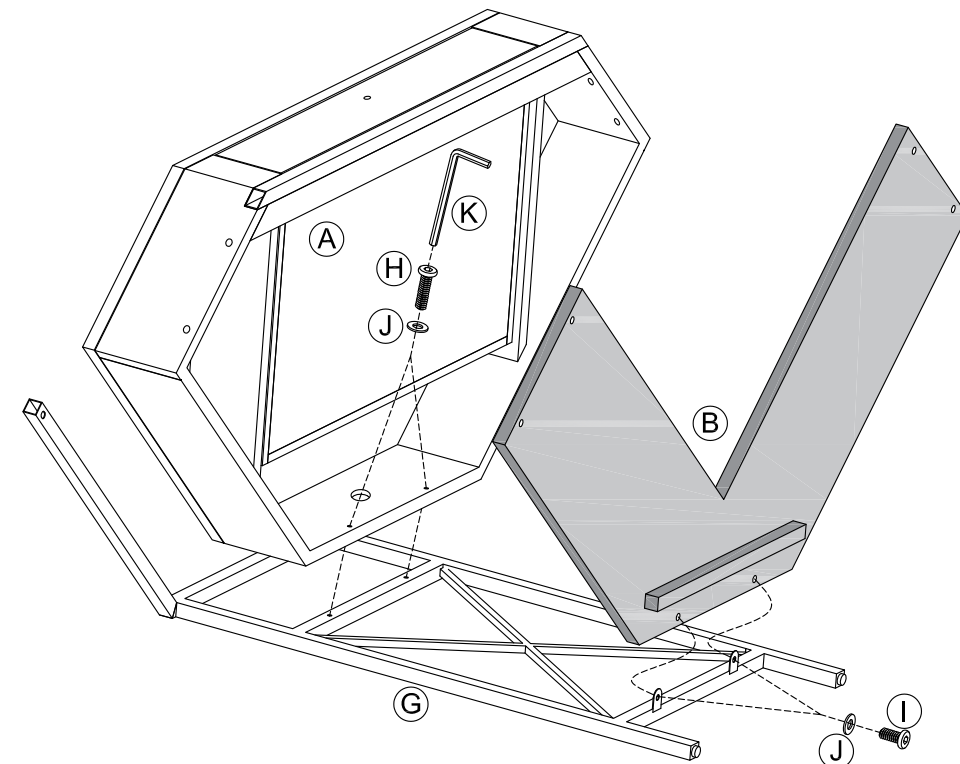
Step 1

1.1) Insert the bent metal plate (N) into side back galleries (E & F), fasten it with 2 bolts and 2 washers. Attach the ends of the side-back galleries to the back frame (G), fasten with another 2 bolts and 2 washers. Push firmly while tightening the bolts to close all gaps and flush on the top.



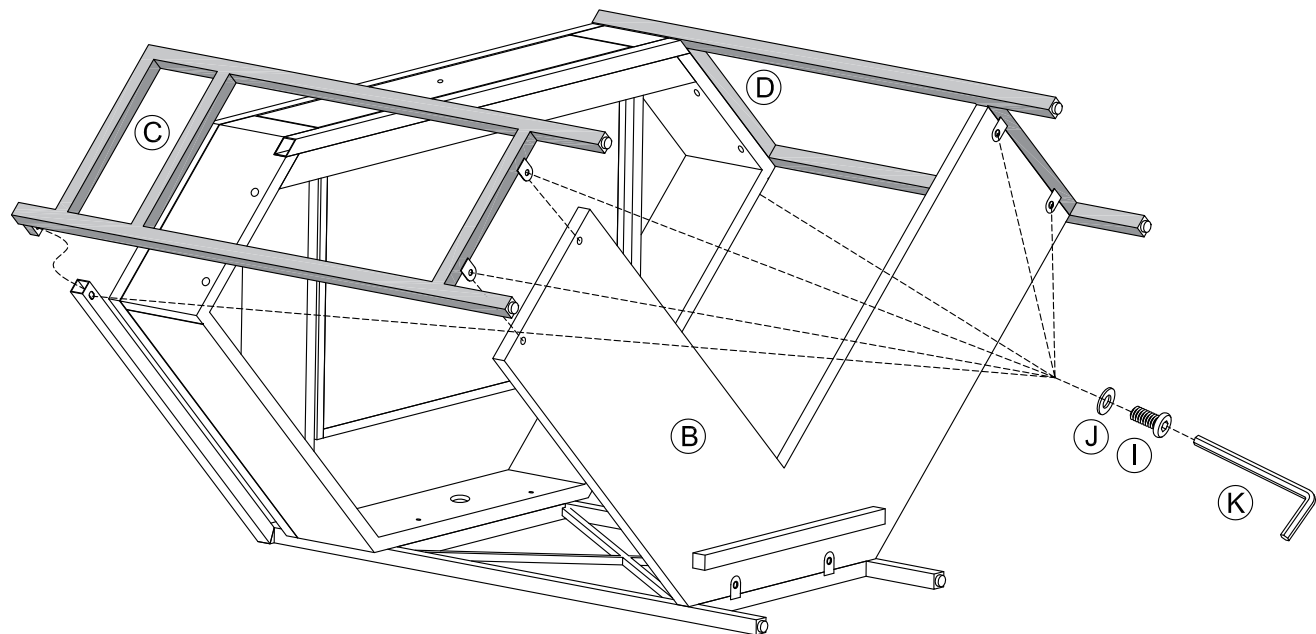
Step 2

2.1) Align the top assembly's back panel holes onto back frame's threaded holes, fasten with 2 long bolts and 2 washers.
2.2) Fasten the shelf to the back frame's tab with 2 short bolts and 2 washers.



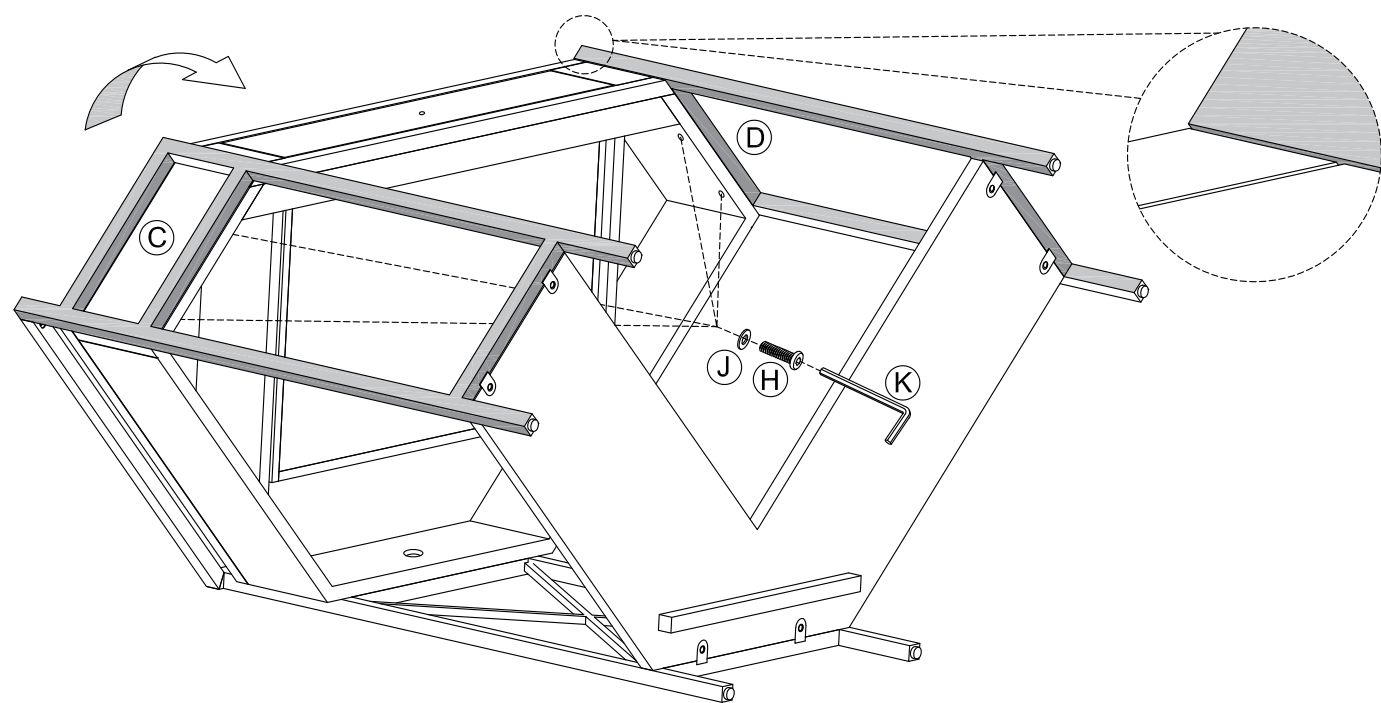
Step 3

- 3.1)** Fasten the shelf to the tabs of left and right side frames with 2 short bolts and 2 washers at each side. Do not tighten.
- 3.2)** Fasten ends of back side gallery to the side frames with 1 short bolt and 1 washer on each. Do not tighten.



Step 4

- 4.1)** Fasten the top assembly's side panels with 2 long bolts from the inner face to metal side frames. Align the edge of metal side frame with back side panel of top assembly. Make sure the desk top flushes with metal side frame's top, and the drawer front sits lower than metal side frame's front corner. See the encircled detail below.
- 4.2)** Do the same assembly steps on right side as per step 4.1. Tighten all bolts and place the desk right side up as directed by the arrow.



Step 5

- 5.1)** Pull out the drawer and install drawer pull with machine screw.
- 5.2)** Adjust the levelers at the bottom of legs if needed.

