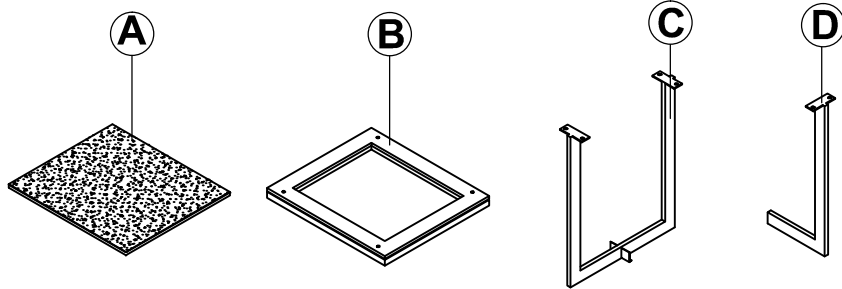


ELIZA END TABLE ASSEMBLY INSTRUCTIONS



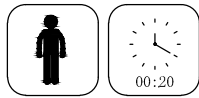
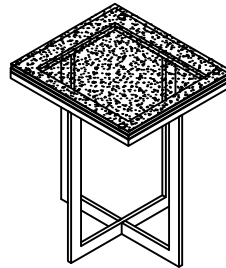
PARTS PACKING CONFIGURATIONS

- A. GLASS TOP 1 PC
- B. TOP FRAME 1 PC
- C. BOTTOM FRAME 1 PC
- D. LEG 2 PCS

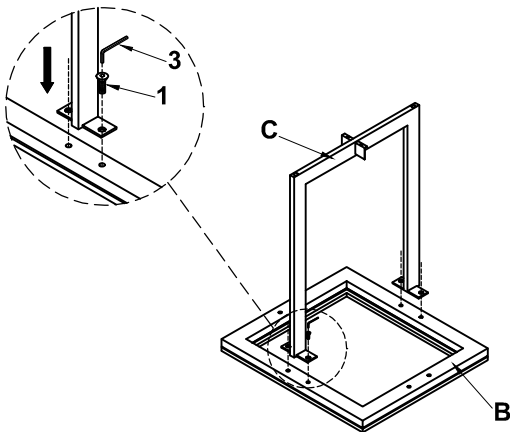


HARDWARE ENCLOSED IN CARTON

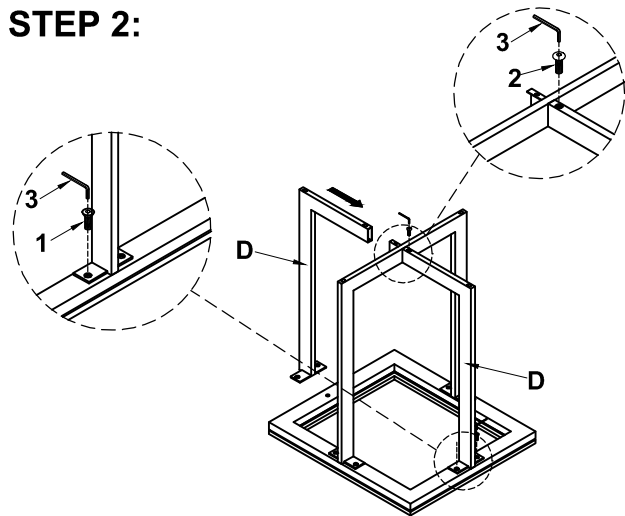
No	Description	Photo	Quantity
1	ALLEN BOLT (1/4 x 1/2)		8 PCS
2	ALLEN BOLT (1/4 x 1/2)		2 PCS
3	ALLEN KEY		1 PC
4	PLASTIC BUMPER		4 PCS



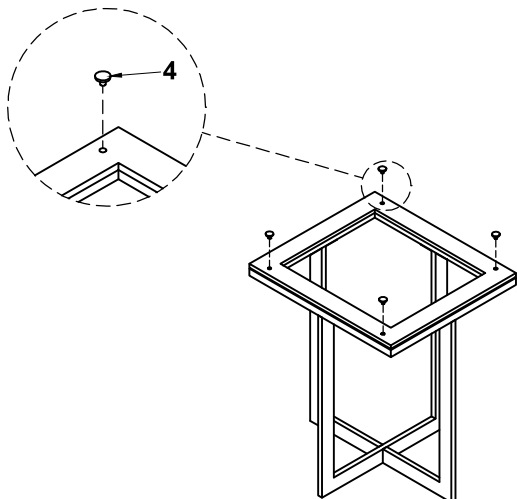
STEP 1:



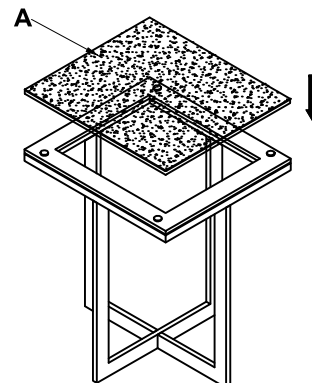
STEP 2:



STEP 3:



STEP 4:



FULLY ASSEMBLED