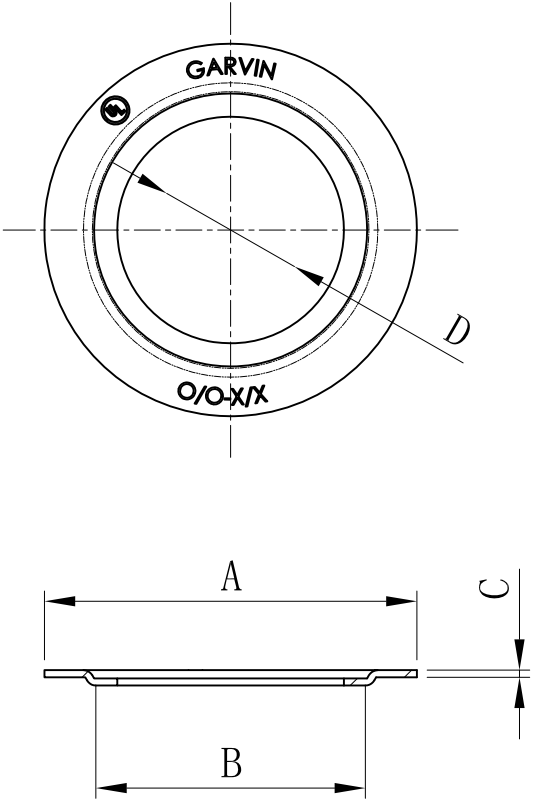


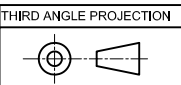
SIZE	1/2	3/4	1	1-1/4	1-1/2	2	2-1/2	3	3-1/2
D	0.87	1.11	1.37	1.73	1.98	2.46	2.96	3.59	4.12
XX	50	75	100	125	150	200	250	300	350

PART NO.	SIZE	A	B	C
RW-75XX	3/4	1.73	1.08	0.0315
RW-100XX	1	1.75	1.34	0.0315
RW-125XX	1-1/4	2.18	1.70	0.0315
RW-150XX	1-1/2	2.44	1.94	0.0315
RW-200XX	2	3.00	2.42	0.0315
RW-250XX	2-1/2	3.50	2.90	0.038
RW-300XX	3	4.12	3.53	0.038
RW-350XX	3-1/2	4.62	3.96	0.060
RW-400XX	4	5.15	4.46	0.060



NOTES:
 1.MATERIAL: G-60 GALV.STEEL
 2.PARTSMARKED:
 UL-LOGO
 GARVIN LOGO
 OO-SIZE
 XX-REDUCED SIZE

TOLERANCES UNLESS OTHERWISE SPECIFIED		NAME	DATE	GARVIN INDUSTRIES	
INCHES	MILLIMETER	DRAMN	2014. 12. 5		
ANGULAR:	ANGULAR:	CHECKED		TITLE	
X.X: ±0.1	X: ±2.54	APPROVED (A)		REDUCING WASHER	
X.X X: ±0.05	X.X: ±1.27	APPROVED (Customer)		SIZE	REV
X.X X X: ±0.008	X.X X: ±0.203			A4	
MATERIAL				DWG NO. RW-00XX	
PRE-GALVANIED STEEL (G60)				SCALE: 1:1	REFERENCES
FINISH				PRINT DATE	SHEET 1 OF 1
NO OIL					
DO NOT SCALE DRAWING INTERPRET PER ASME Y14.5M-199 4					



THIS DOCUMENT IS THE CONFIDENTIAL PROPERTY OF GARVIN INDUSTRIES AND IS LOANED SUBJECT TO RETURN UPON DEMAND. TITLE TO THIS DOCUMENT IS NEVER SOLD OR TRANSFERRED FOR ANY REASON. THIS DOCUMENT IS TO BE USED ONLY PURSUANT TO WRITTEN LICENSE OR WRITTEN INSTRUCTIONS OF GARVIN INDUSTRIES. ALL RIGHTS TO DESIGN AND INVENTIONS ARE RESERVED BY GARVIN INDUSTRIES. POSSESSION OF THE DOCUMENT IS ACCEPTED SUBJECT TO THE FOREGOING.