



Thank you for choosing Sunnydaze Decor. We stand behind our brand and the quality of the items we sell. Replacement parts or products will be sent at our discretion within the 1-year warranty period. Proof of purchase, with the date of purchase as well as photos of the merchandise defect, must be provided. Photos are used to determine the cause of defects and for future quality control. Register your warranty at <https://tiny.cc/SunnydazeWarranty>
 If you have any questions, comments or concerns, feel free to contact us by phone at 833-982-1977, by email: customerservice@sunnydazedecor.com, or via our contact us page at <https://tiny.cc/SunnydazeContact>






PRINTED CORK BOARD





QBD-3211

Review all assembly and care information before using this product. Save this manual for future reference.
Assemble components on a soft, clean surface to avoid damaging the finish.



 Inspect packaging to ensure all parts are accounted for before disposing of packing materials.
 Save the packing slip.

No.	PARTS	QTY.
A	 Cork Board	1
B	 Bracket	2
C	 M3x12mm Screw	4
D	 M4x30mm Screw	2
E	 Wall Anchor	2

TOOLS REQUIRED (not included)	
	Phillips Screwdriver
	Power Drill with 6mm Drill Bit
	Tape Measure
	Pencil

⚠ WARNING ⚠
CHOKING HAZARD — This item contains small parts that can be swallowed. Keep children and pets away during assembly.

⚠ WARNING:

Manufacturer and seller expressly disclaim any and all liability from personal injury, property damage or loss, whether direct or indirect, or incidental, resulting from the incorrect attachment, improper use, inadequate maintenance, or neglect of this product.

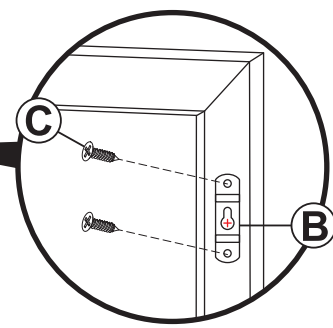
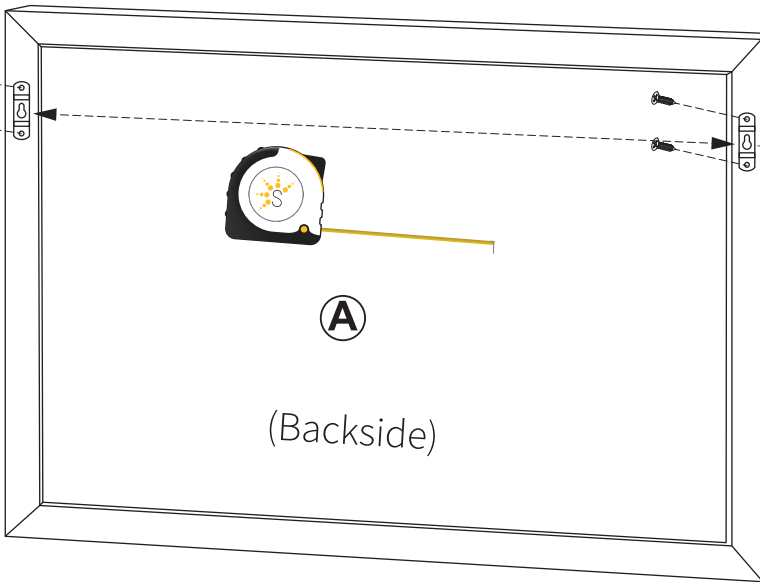
ASSEMBLY

STEP 1

A: 1

B: 2

C: 4

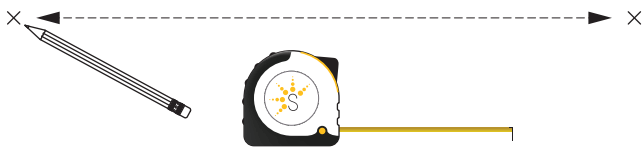


Place Cork Board (A) face-down on a soft, clean surface.

Align Brackets (B) with the marks on the back of the frame.

Secure each bracket using two M3x12mm Screws (C).

STEP 2



Carefully measure and mark the wall with the mounting hole distance.

TIP: Double-check measurements to ensure accuracy.

STEP 3



Drill pilot holes.

STEP 4

D: 2

E: 2



Press Drywall Anchors (E) into the pilot holes.
Install Screws (D) about 3/4 into the wall anchors.

STEP 5



Hang the cork board.

Care & Maintenance

SAFE USE: It is the installer's responsibility to ensure all mounting systems are properly installed. Failure to ensure adequate structural strength for the mounting system can result in personal injury or damage to the product. Only use the mounting system as described in the instructions.

CLEANING: Use a soft, dry cloth to dust.

For the frame, follow the woodgrain with a soft cloth to remove dust, dirt, and debris. Do not use chemicals or abrasive materials as they will damage the wood and/or finish.

Do not soak the board as doing so will permanently damage the product.

WARNING: THE ONE-YEAR WARRANTY DOES NOT COVER DAMAGES OR DEFECTS CAUSED BY THE APPLICATION OF CHEMICAL TREATMENTS, PROTECTIVE COATINGS, OR CLEANING PRODUCTS.

SAFETY STATEMENTS & WARNINGS

- For indoor, residential use only.
- This product is not intended for use by children.
- Avoid long-term exposure to sunlight.
- Avoid placing near heating or cooling vents as forced air is be very drying and could damage the unit.
- Never use chemical cleaning products or polishes as they may damage the finish.
- Do not soak the board as doing so may result in permanent damage.

Any modification to the product or failure to follow recommended care will void the product warranty.

*If you experience issues or the product was damaged during shipping,
please contact our customer service team through one of the methods mentioned at the top of page 1.
Please have the item number and order information ready to expedite response time.*

WARNING:

Manufacturer and seller expressly disclaim any and all liability from personal injury, property damage or loss, whether direct or indirect, or incidental, resulting from the incorrect attachment, improper use, inadequate maintenance, or neglect of this product.