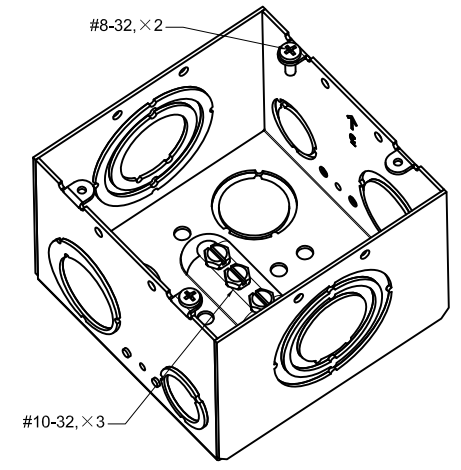
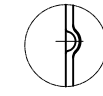
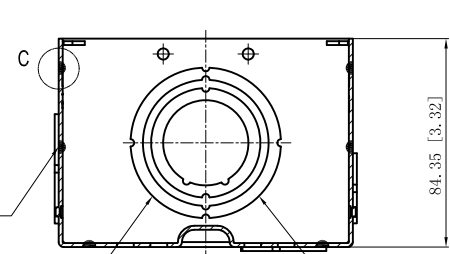
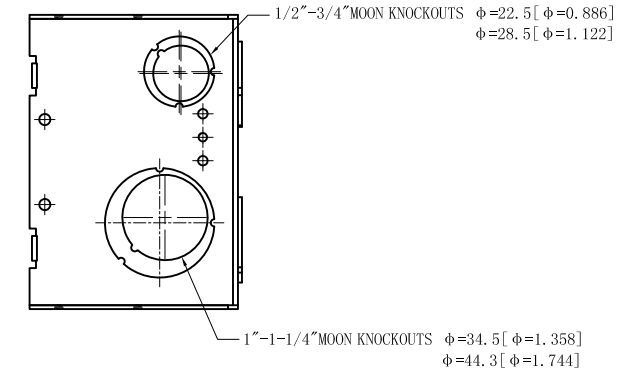
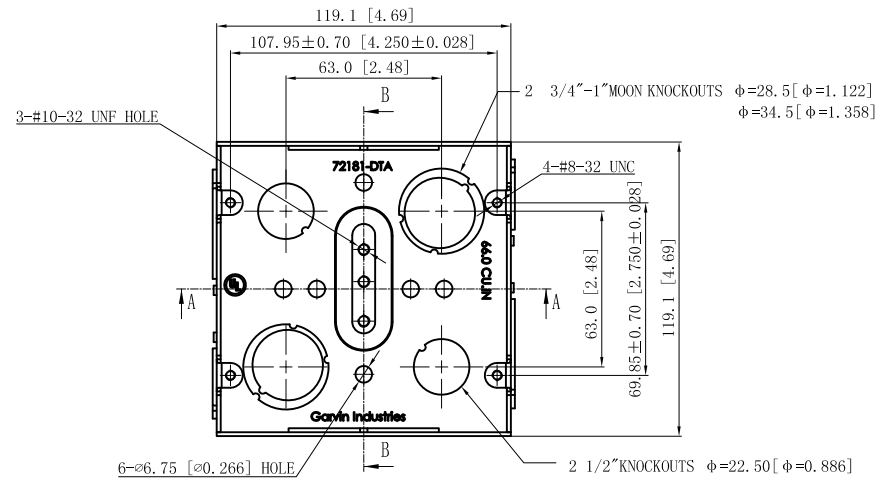
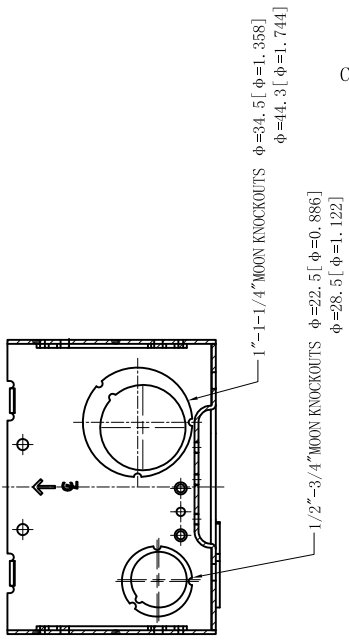


SIDES	BOTTOM
2 1/2"-3/4" MOON KNOCKOUTS	2 1/2" KNOCKOUTS
2 1"-1-1/4" MOON KNOCKOUTS	2 3/4"-1" MOON KNOCKOUTS
2 1"-1-1/4"-1-1/2"-2" MOON KNOCKOUTS	1 Ground Hump
2 pcs #8-32x1/2 Screws Installed	
3 pcs #10-32x3/8 Screws Installed	
Material: Steel-0.0625"-G60 Galvanized	



- φ=34.5 [φ=1.358]
- φ=44.3 [φ=1.744]
- φ=51.0 [φ=2.01]
- φ=61.0 [φ=2.400]



This data sheet is for reference only .GARVIN INDUSTRIES reserves the right to make changes to the design without prior notice.

DESCRIPTION
TRADE REFERENCE TERMS

STANDARD PACKING	GARVIN INDUSTRIES		
	4-11/16" BOX WITH MULTIPLE KO CONFIGURATIONS 3-1/4" DEEP		
25 PCS	TITLE	72181-DTA	
	SIZE	DWG NO.	DATA SHEET
		www.garvinindustries.com	

REV C