










# ASSEMBLY INSTRUCTIONS

## LONSDALL METAL/GLASS SIDE TABLE

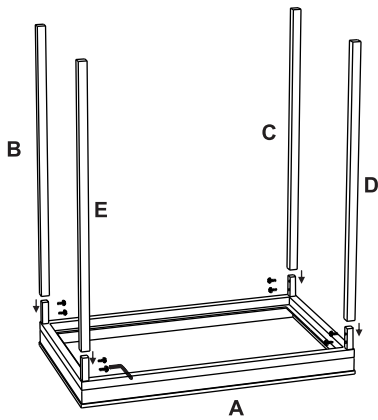
### PART LIST :-

NO.	DESCRIPTION	IMAGE	QTY
A	METAL BASE		1
B	PIPE		1
C	PIPE		1
D	PIPE		1
E	PIPE		1
F	METAL TOP		1
G	GLASS TOP		1

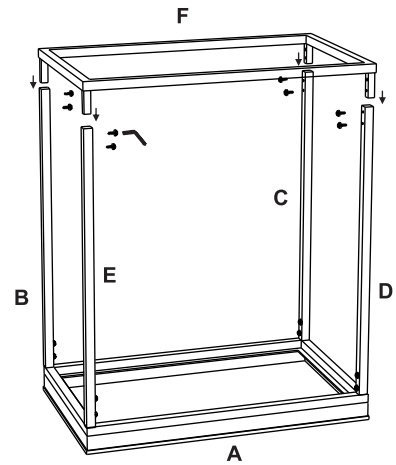
### HARDWARE LIST :-

NO.	DESCRIPTION	IMAGE	QTY
H	ALLEN SCREWS		16
I	ALLEN KEY		1

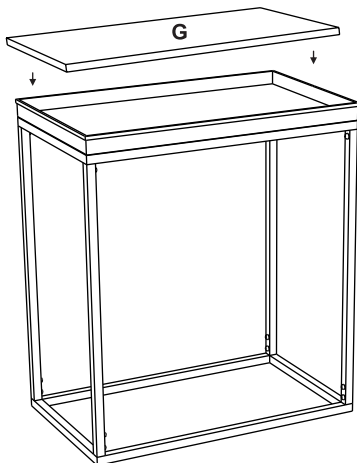
### STEP:- 1



### STEP:- 2



### STEP:- 3



### STEP:- 4 ASSEMBLED

