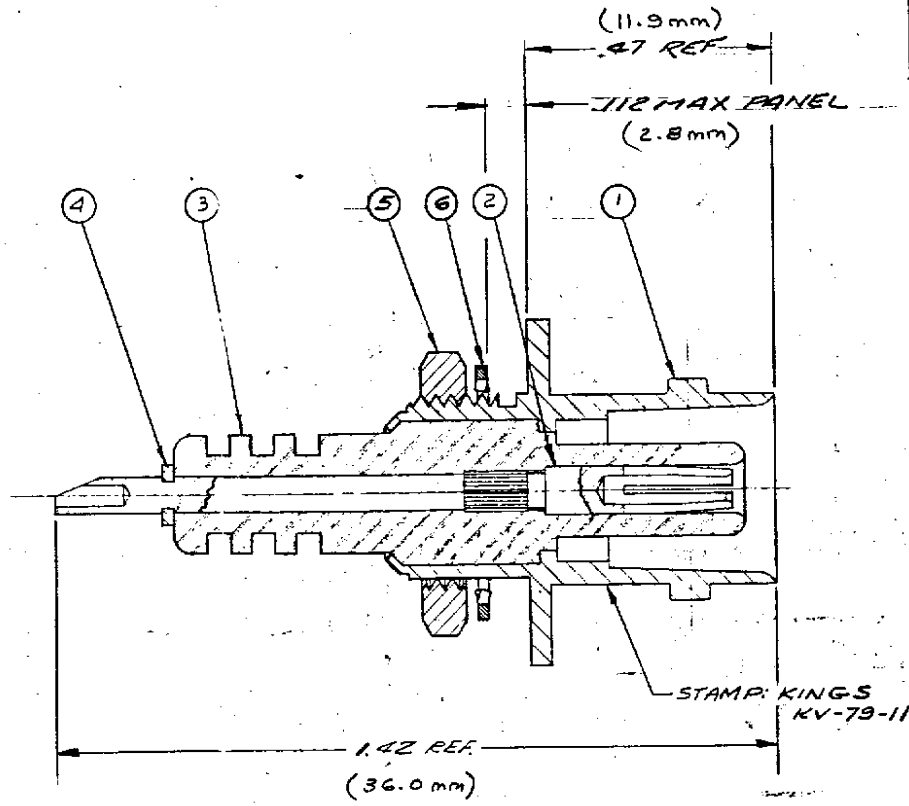
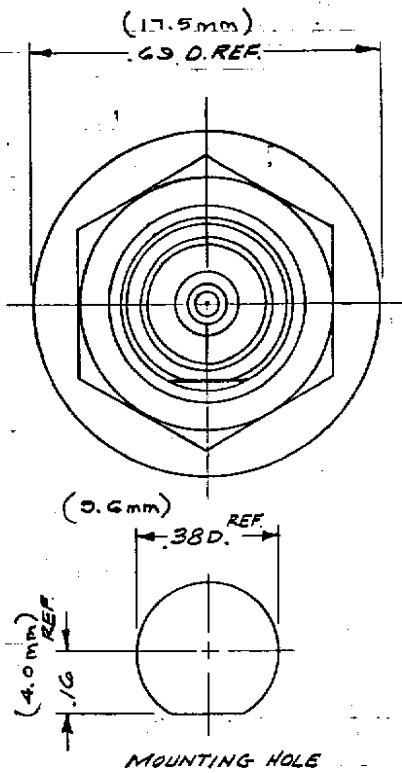


UNLESS OTHERWISE SPECIFIED LIMITS ON DIMENSIONS ARE:
 FRACTIONS ± DECIMALS ± ANGLES ±



REVISIONS	
ISSUE	CHANGES
0	ER 4628 GDEC66 J.G.
1	CN 17030E JHP 23 MAR 77

11-61-KV
 SD

REF
FINISH
SPEC. KER 10004
MAT.
SPEC.

ITEM NO.	NO. REQD.	NAME	PART NO.
6	1	LOCKWASHER	C-71-09-7-M07
5	1	HEX NUT	706-4-M07
4	1	C-RING	
3	1	INSULATOR	
2	1	CONTACT	
1	1	BODY	

SD

MHV BULK
 RECEPTACLE

DRAWN CC DATE 1 FEB 79
 APPR. GINO DATE 7 FEB 79

KINGS ELECTRONICS
 40 HARBORDALE ROAD
 YUCKAMON, N. Y.

KV-79-11

ALL DIMENSIONS PRIOR TO PLATING

REMOVE ALL BURRS. MAINTAIN SHARP CORNERS UNLESS CHAMFERS, RADII OR FILLETS ARE SPECIFIED.

UNLESS OTHERWISE SPECIFIED, MAXIMUM ACCEPTABLE SURFACE ROUGHNESS IS 100 MICROINCHES RMS IN ACCORDANCE WITH NAS-30