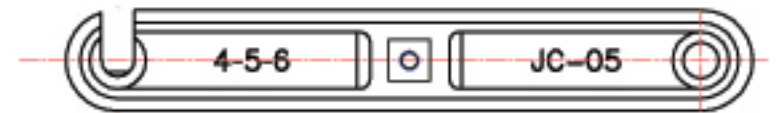
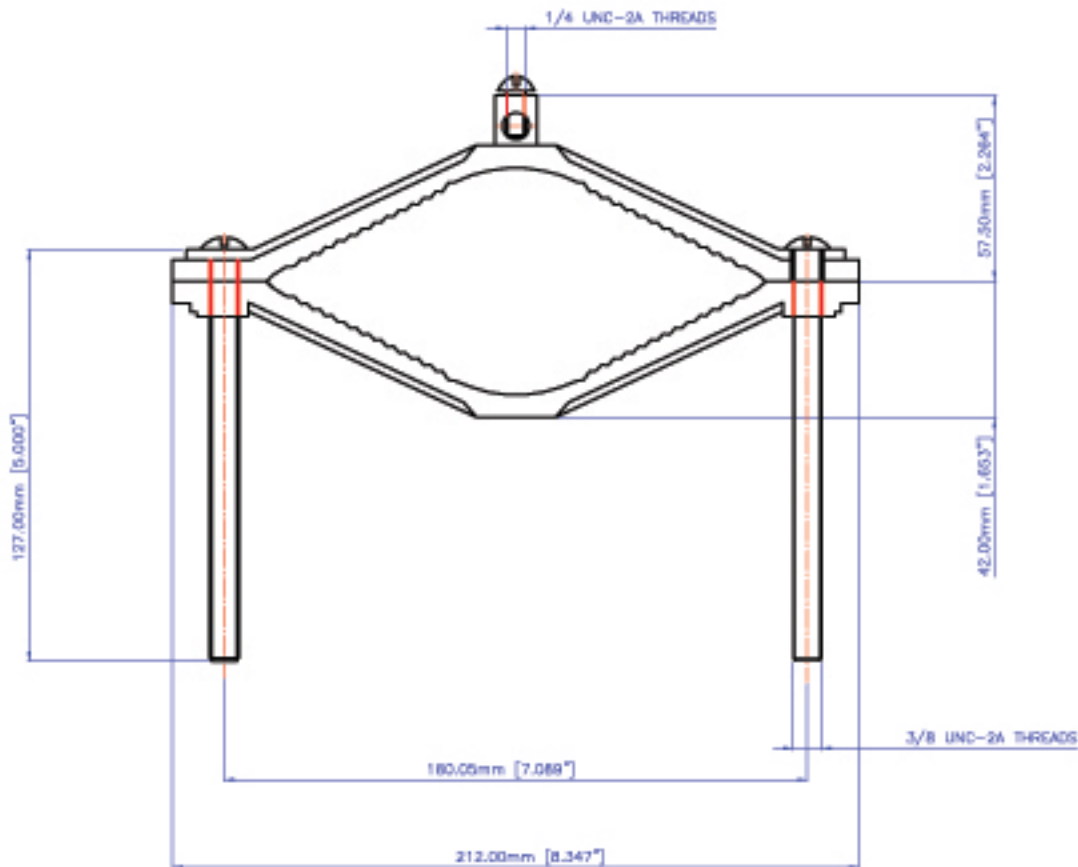
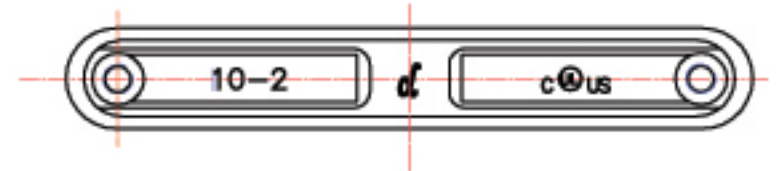


WATER PIPE SIZE	4½"-6"
CONDUCTOR RANGE	10 sol - 2 str



UPPER PART



LOWER PART

Dimension shown in mm & (inches). DO NOT SCALE		ITEM No	GCB450600	GARVIN
		NAME	GROUND CLAMP 4½"-6" (BARE WIRE)	
		MATERIAL	COPPER BASE ALLOY	
		SCREWS	MS , WHITE ZINC PLATED	
Tolerances +-2.5%		Drawn by	V.T.	