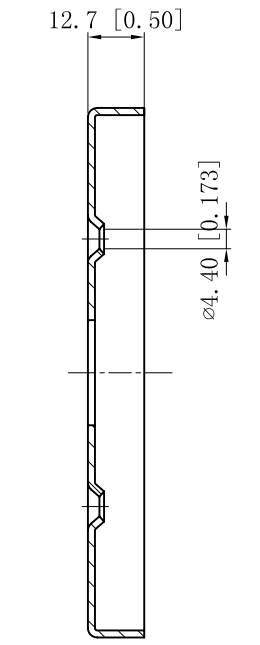
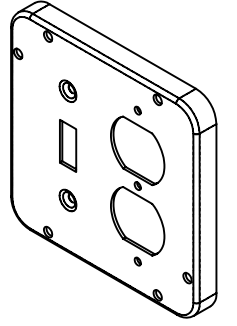
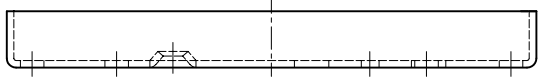
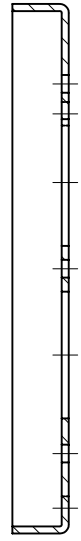
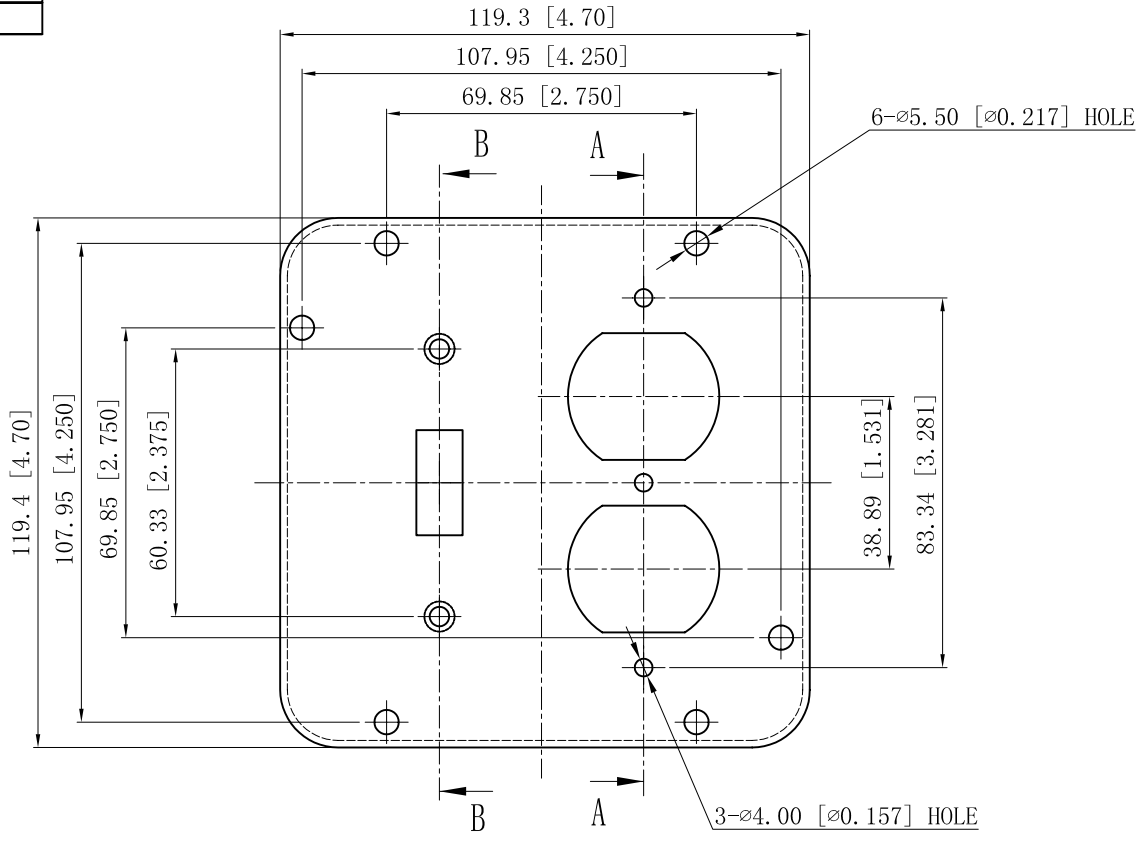


SIDES	BOTTOM
5 PCS 6-32×5/16 Screws Pack In Poly-bag Sepwrtely	
4 PCS 8-32×1 Screws Pack In Poly-bag Sepwrtely	
2 PCS 6-32 Nut Pack In Poly-bag Sepwrtely	
Material:Steel-0.0625"-G60 Galvanized	



CUTAWAY VIEW B-B



CUTAWAY VIEW A-A

This data sheet is for reference only .GARVIN INDUSTRIES reserves the right to make changes to the design without prior notice.

DESCRIPTION
TRADE REFERENCE TERMS

STANDARD PACKING	<h1 style="margin: 0;">GARVIN INDUSTRIES</h1>		
25 PCS			
	TITLE	4-11/16" INDUSTRIAL "GARVIN" COVERS	
	SIZE	DWG NO.	REV
	A4	72C41	C
	DATA SHEET		