



# TRAC-MASTER®

Mounting Accessories

## MONOPOINTS and SPECIAL MOUNTINGS

Project: \_\_\_\_\_

Fixture Type: \_\_\_\_\_

Location: \_\_\_\_\_

Contact/Phone: \_\_\_\_\_

### PRODUCT DESCRIPTION

Special adapters permit the flexibility of mounting trac lights in various ways to meet special requirements.

### Line Voltage Monopoint Adapters

Example: T40N BL

T40N BL, SL, WH	T40F BL, WH	T41N BL, WH	T42N BL, WH
<p><b>Monopoint Adapter</b></p> <p>Mounts directly to outlet box. Accepts one 120V Juno trac fixture.</p>	<p><b>Flush Monopoint Adapter</b></p> <p>Mounts directly to 4" outlet box only. Accepts one 120V Juno trac fixture with <u>standard size</u> trac adapter.</p>	<p><b>Duo-Point Adapter</b></p> <p>Mounts directly to an outlet box. Accepts two 120V Juno trac fixtures.</p>	<p><b>Weighted Base</b></p> <p>For portable use. Supplied with 8' cord and plug. Accepts one 120V Juno trac fixture.</p>

### Line Voltage Coil - Cord Clamp-Ons

Example: T132 WH

T132 BL, WH	T133 BL, WH
<p><b>120V Monopoint with Trac Adapter</b></p> <p>120V Monopoint with trac adapter for electrical connection to Trac. Accepts one 120V Juno trac fixture with <u>standard size</u> trac adapter.</p>	<p><b>120V Monopoint with Male Plug</b></p> <p>120V Monopoint with male plug (120V) attaches to receptacle. Accepts one 120V Juno trac fixture with <u>standard size</u> trac adapter.</p>
<p>2' Coil Cord extends to 5'. 1-3/4" Clamp opening.</p> <p>1 5/8" 3 1/8"</p>	

# TRAC-MASTER®

Mounting Accessories

## MONOPOINTS and SPECIAL MOUNTINGS

### Line Voltage Extension Wands

Examples: TEW 12IN BL

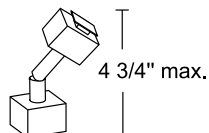
TEW	TEWS
12IN, 18IN, 24IN, 36IN, 48IN	
BL, SL, WH	BL, WH
<p><b>Line Voltage Extension Wands</b></p> <p>For use with one or two circuit trac and line voltage monopoints. Accepts one 120V Juno trac fixture with <u>standard size</u> trac adapter.</p> <p><b>Note:</b> SL finish for TEW only available in 18" and 24" lengths and in limited quantities</p>	<p><b>24" Wand Slope Adapter</b></p> <p>Accepts one 120V Juno trac fixture with <u>standard size</u> trac adapter.</p>



### Line Voltage Slope Ceiling Adapter

Examples: T95 BL

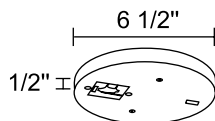
T95
BL, WH
<p><b>Slope Ceiling Adapter</b></p> <p>Attaches to trac, permitting Trac-Master or Trac-Lites Trac fixtures with <u>standard size</u> trac adapter to be hung vertically from sloped ceiling. 90° maximum adjustable</p>



### T252L, R Series Low Voltage Monopoint Adapters

Example: T58 BL

T58
BL, WH
<p><b>Monopoint Adapter</b></p> <p>For T252L or Trac-Lites R Series Low-Voltage Power Packs. Mounts directly to outlet box. Adapter is offset to accept compatible styles. Power Pack latch locks in detent.</p>



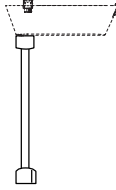
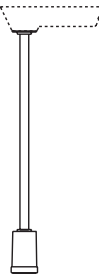
# TRAC-MASTER®

Mounting Accessories

## MONOPOINTS and SPECIAL MOUNTINGS

### Low Voltage Extension Wands

Examples: TWL 12IN BL, TWLED 18IN WH

<b>TWL12</b>	<b>TWLED</b>
<b>12IN, 18IN, 24IN, 36IN, 48IN</b>	<b>12IN, 18IN, 24IN, 36IN, 48IN</b>
<b>BL, SL, WH</b>	<b>BL, SL, WH</b>
<p><b>Low Voltage Extension Wands</b></p> <p>Accepts one Juno 12V low voltage spotlight. Attaches to <b>T537</b> Power Pack.</p> 	<p><b>T252L Extension Wands</b></p> <p>Attaches between T252L fixture housing and LED driver housing to move the light source closer to illumination point without lowering the trac mounting height.</p> 

### Steel Safety Cable (Lanyard) Example: TSSC 18IN

<b>TSSC</b>
<b>18IN</b>
<p><b>Steel Safety Cable (Lanyard)</b></p> <p>18" steel safety cable (lanyard) may be used to secure trac fixture to trac, to protect it against falling into space if fixture accidentally becomes disengaged from trac.</p> 