

Saramonic

Sound.Remarkable. ㊦

Dynamic Broadcasting Microphone

广播级动圈麦克风

SR-BV1

User Manual

用户手册

Statement

Thank you for purchasing Saramonic!

Please read this manual carefully before using and strictly operate and store in accordance with the instructions. Please save it for future reference.

If the user manual can not help you to solve problems, please ask your retailer for further assistant or email us: info@saramonic.com.

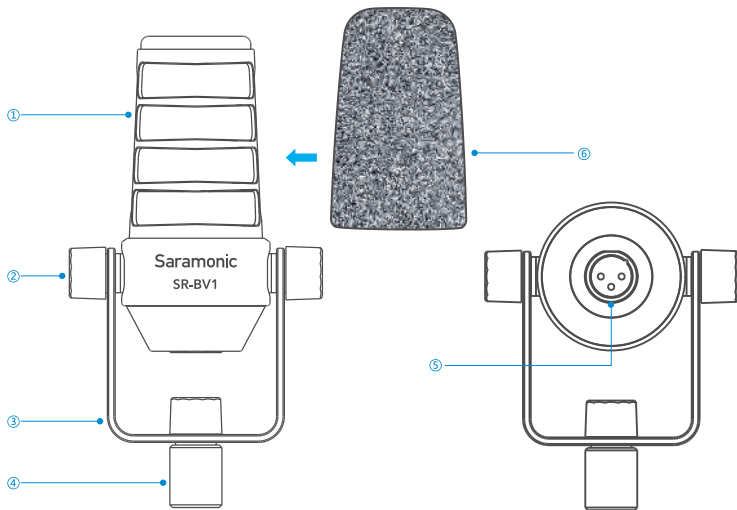
Cautions

1. Do not use the unit under water, don't expose it to rain. Please store it in a cool, dry place.
2. Please use and store it in normal temperature. Do not move it from overheated to super-cooled condition frequently as well as keep away from heat sources such as heater, oven, or other devices that produce heat.
3. When using and storing, please pay attention to dust and moisture.
4. Be careful to violent collision.

Introduction

The SR-BV1 is a cardioid dynamic microphone, providing broadcast-quality sound, Specially designed for applications like broadcasting, podcasting, studio recording and more. Excellent cardioid polar pattern can clearly capture the voice in front of the mic. With a wide-range frequency response, it provides a rich and balanced sound. Equipped with a foam windscreen, the SR-BV1 is a perfect choice for close-recording applications. All-metal body guarantees the solid construction. In addition, the microphone features an adjustable mounting bracket, which allows it to attach to any industry-standard microphone stand and boom arm.

Product Structure



1.SR-BV1 Microphone

2.Tightening Nut

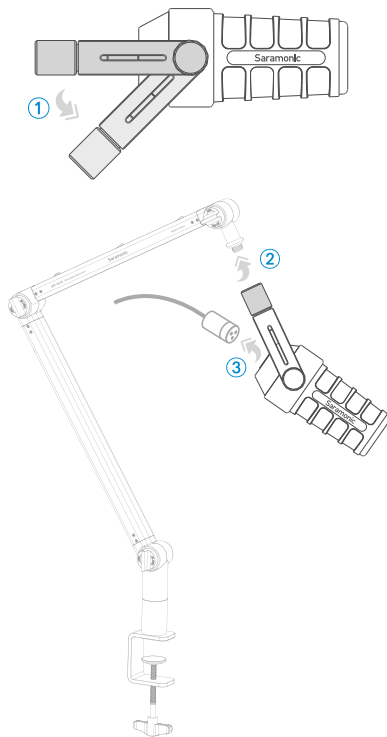
3.Mounting Bracket

4.5/8" Screw Hole

5.3-pin XLR Connector

6.Foam Windscreen

Quick Setup Guide

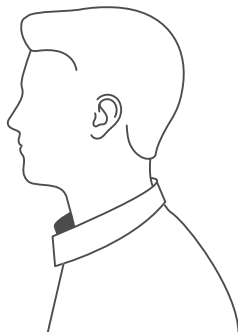
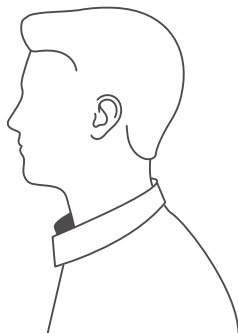
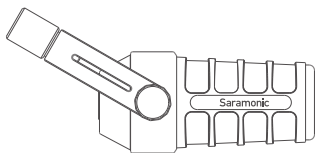


①. Loosen the tightening nuts, adjust the microphone at the Ideal angle, then tighten the nuts.

②. Attach the microphone to a microphone stand or Saramonic SR-HC5 boom arm (not included) through the 5/8 inch screw hole at the bottom.

③. Connect microphone to an external device with an XLR cable (not included).

How to use



Specifications

Acoustic Principle	Dynamic
Polar Pattern	Cardioid
Frequency Response	20-20,000Hz
Sensitivity	-57dB±3dB (0dB=1/uBar at 1kHz)
Output Impedance	120Ω
Material	Metal
Windshield	Removable
Phantom Power	Not Required
Microphone Weight	705g (24.9 oz)
Dimensions	190x37.65x30mm (7.5"*1.5"*1.2")
Operating Temperature	-20°C~50°C
Storage Temperature	-5°C~55°C

Features

Ideal for broadcasting, podcasting and recording studio use

Delivers professional-quality sound

Cardioid polar pattern

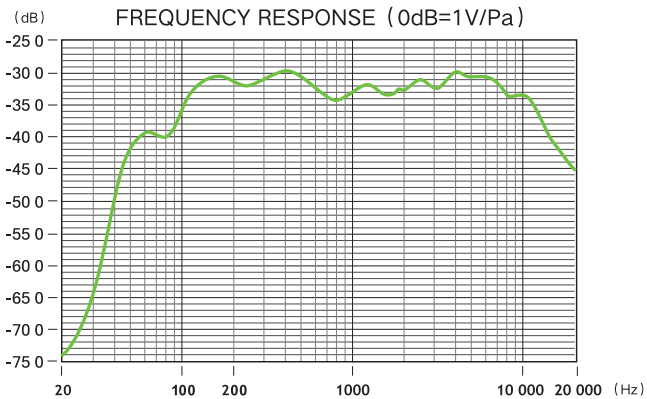
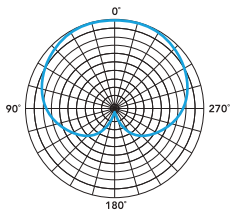
Integrated shock mount

Rugged metal construction

Great for close-range vocal and instrument recording

Foam windshield included

Polar Pattern



Packing List



Dynamic broadcasting
microphone



Foam windshield



User manual



Warranty card



Scan the QR code and follow us!
扫描微信关注枫笛公众号!

Shenzhen Jiayz Photo Industrial., Ltd
深圳市长丰影像器材有限公司

A16 Building, Intelligent Terminal Industrial Park of Silicon Valley
Power, Guanlan, Longhua District, Shenzhen, China
深圳市龙华区观澜街道大富工业区硅谷动力智能终端产业园 A16 栋

☎ 400-613-1096

🌐 www.saramonic.com

✉ info@saramonic.com