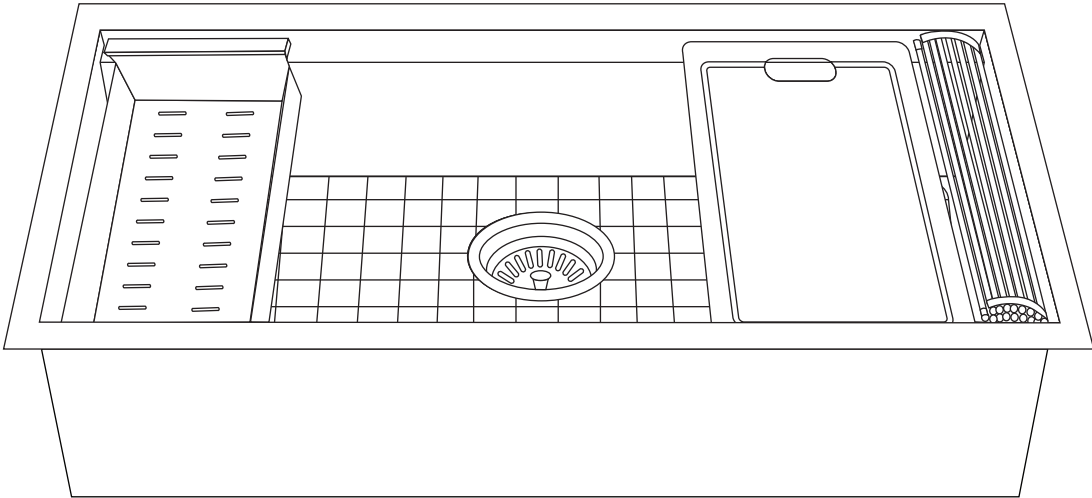


Undermount Kitchen Workstation Sink

INSTALLATION INSTRUCTIONS

Swiss Madison®
well made forever



@SwissMadison
#WellMadeForever





PRIOR TO INSTALLATION:

- Inspect product to ensure no damages have occurred while in shipping.
- Observe all plumbing and building codes in accordance with your state and local requirements.
- Make sure to purchase the correct cabinet for your undermount sink.
- All dimensions are nominal! Be sure to measure your sink prior to installation.
- The step-by-step guidelines in the installation instructions are a general reference. Should there be any discrepancies, Swiss Madison cannot be held liable. It is recommended to install all Swiss Madison products by hiring a licensed professional.
- Read installation and maintenance instructions thoroughly before installing. Be sure to use proper tools and always wear proper personal safety accessories for your protection.

Lifelong Care: Swiss Madison Stainless Steel Sinks are easy to maintain with minimal care. For best results, always rinse with mild soap and wipe after each use. Rub lightly with soft cloth in the direction of the drain on a regular basis. To avoid damage and discoloration to the sink surface never use steel wool, scouring pad or abrasive cleaners.

If you have any questions or concerns please contact us:

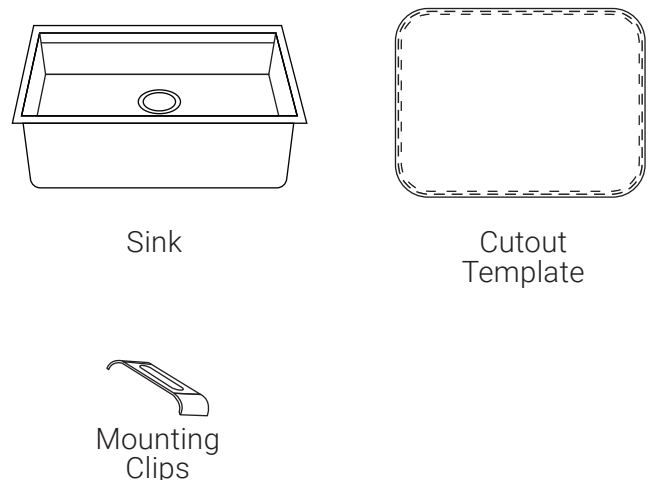
1-434-623-4766

info@swissmadison.com

SUGGESTED TOOLS & MATERIALS:

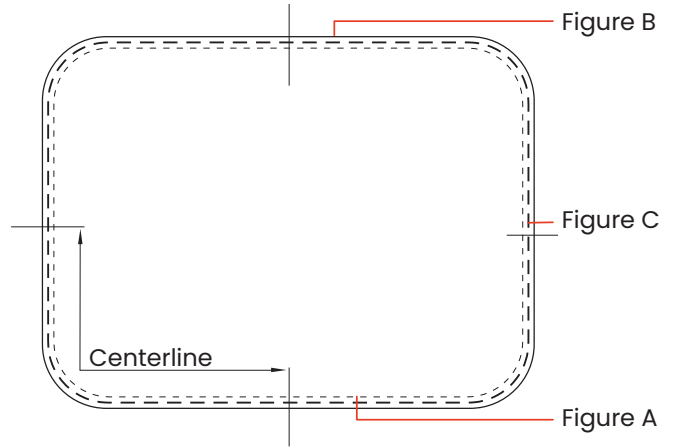
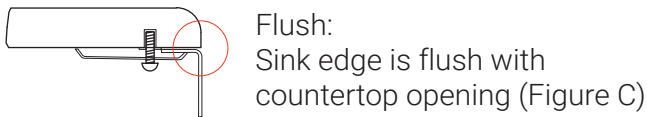
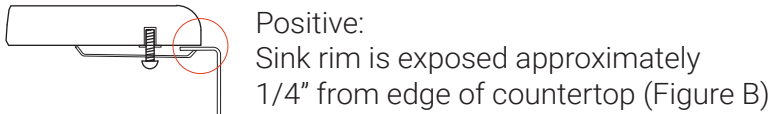
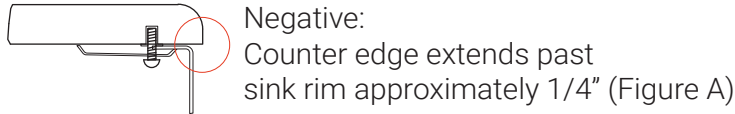


INCLUDED PARTS:



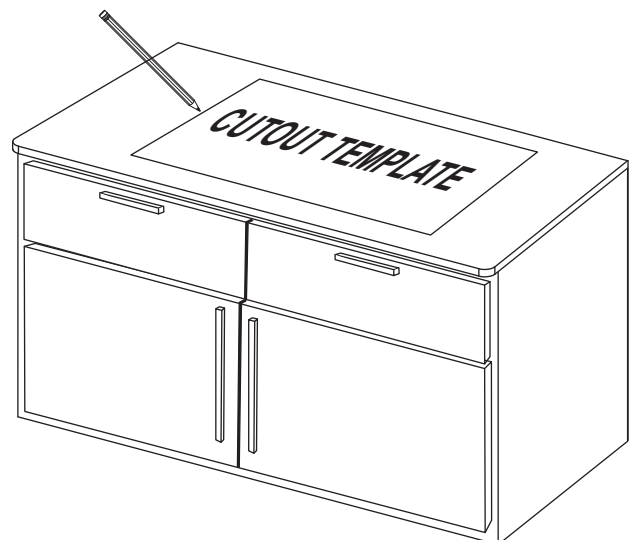
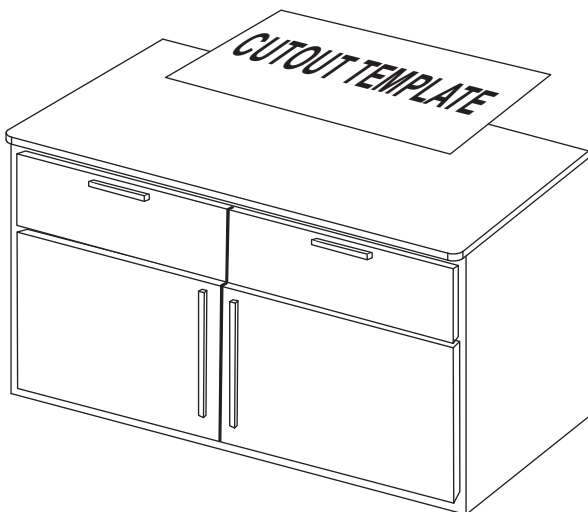
1. Determine Reveal Type

- Using scissors to cut along the line of the paper template for your desired reveal type.



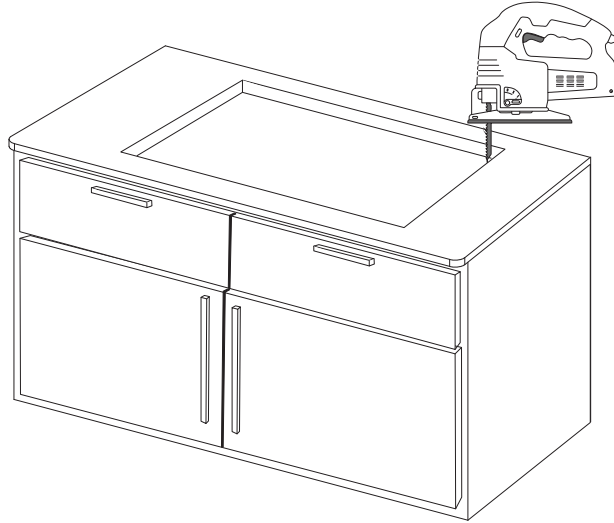
2. Position and Trace Template

- Check the cutout template against the actual sink to ensure a proper sized cutout.
- Place the cutout template in the desired location on the countertop.
- Trace the template onto the countertop.
- Make sure clearance is suitable for back splash, faucet, and plumbing for the sink.



3. Cut Countertop

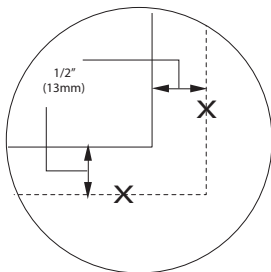
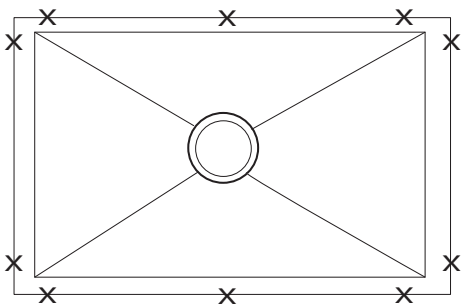
- Cut an opening in the countertop by carefully following the traced line from the template.
- Please use the appropriate saw that best fits your countertop material. Professional should be consulted for cutting countertop.



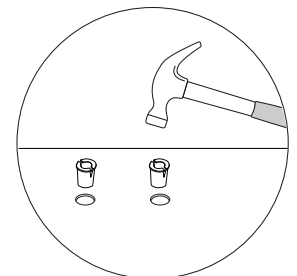
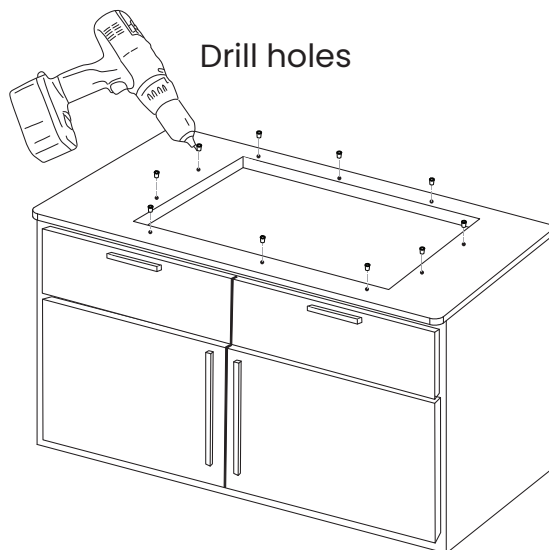
4. Install Mounting Brackets

- Turn countertop over and align sink with countertop. Decide location for mounting brackets.
- Mounting holes should be drilled 1/2" from the edge of the sink.
- Install anchors into drilled holes and lightly tap with a hammer until flush with countertop.
- It is recommended to install faucet according to the manufacturers installation instructions at this point.

Mark holes



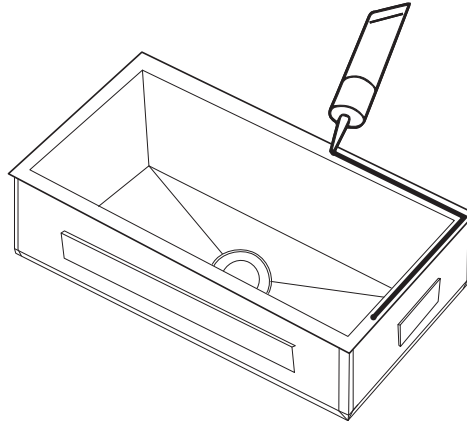
Drill holes



Install anchors

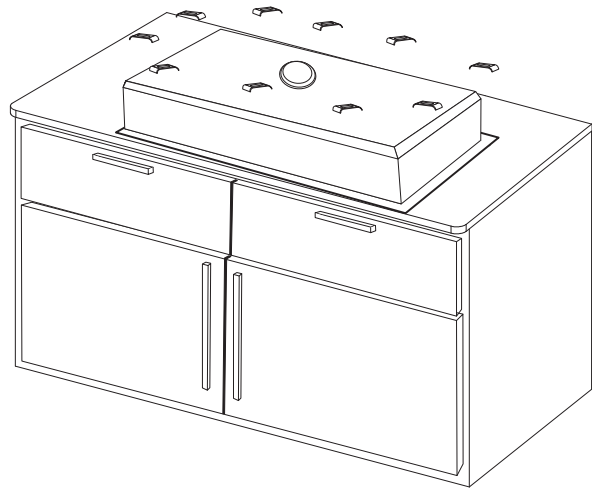
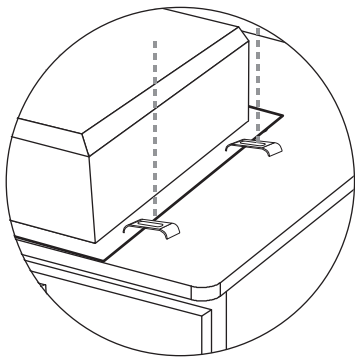
5. Secure Sink to Countertop

- Clean underside of the countertop and around cutout area making sure area is smooth and free of defects.
- Apply a bead of sealant to the rim of the sink near the inside edge. Be careful not to miss or skip any area.
- Carefully lift sink squarely under countertop cutout. Press firmly on sink to form seal. Immediately wipe excess sealant with damp cloth. Be careful not to smear or spread sealant onto countertop or sink.



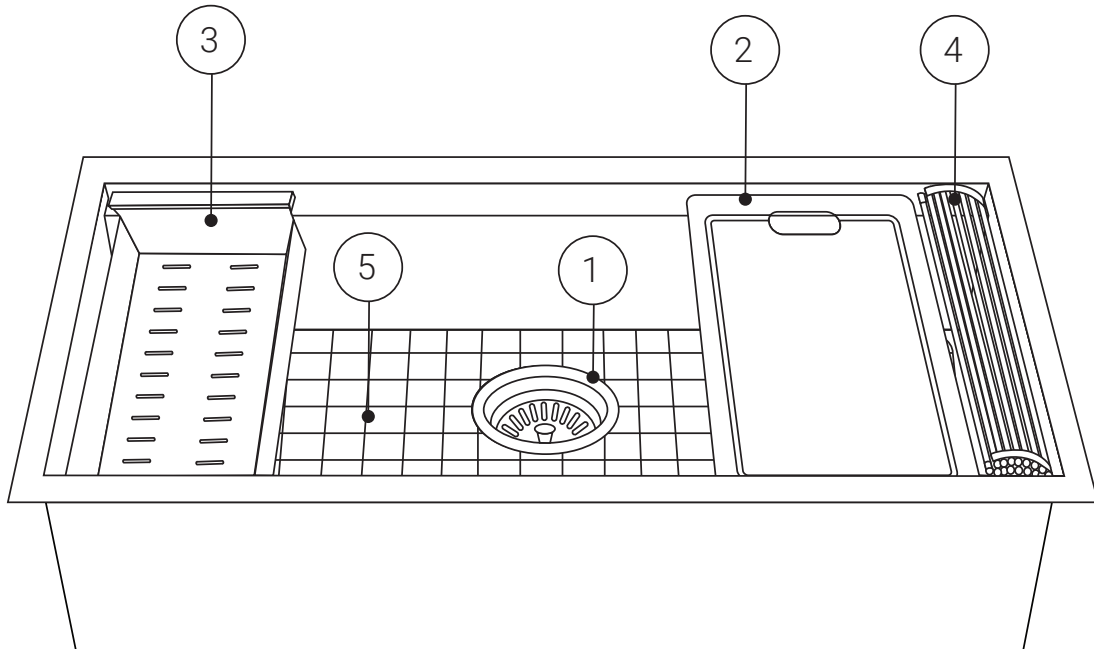
6. Attach Mounting Hardware

- Attach mounting hardware over the lip of bowl to secure bowl.
- Verify alignment of sink again and tighten fasteners to secure sink.
- Wipe away excess sealant with a damp cloth.
- Allow sealant to set for 45-60 minutes.



7. Install Plumbing Fixtures

- Turn counter back over.
- Connect drain, and water supply connections to faucet according to manufacturer's instruction.
- Test run water into sink and check for leaks.



Included Accessories:

1. 4.5" Strainer with Tail Pipe
2. 10 1/4" x 17" Wood Cutting Board
3. 16 3/4" x 7 3/4" Colander
4. 17" x 12 1/2" Dryer Rack
5. 27 3/4" x 15 3/4" Bottom Grid (SM-KU800)
5. 29 1/2" x 15 3/4" Bottom Grid (SM-KU801)

ONE YEAR LIMITED WARRANTY

Swiss Madison® products are made with quality materials and excellent craftsmanship to provide our customers with beautiful, durable, long-lasting products. Should there be any defects in materials or craftsmanship under regular use that are discovered within the first year of installation, Swiss Madison® will provide replacement parts at no charge, or at its discretion, replace any product or part of the product that is deemed defective, under normal installation, use, service or maintenance. This warranty applies only to the original purchaser. Proof of purchase will be required in the instance of a claim.

Swiss Madison® recommends all installations of Swiss Madison® products to be conducted by a licensed, professional plumber or contractor. Swiss Madison® will not be held responsible for any damage or product failure due to improper installation, misuse, or failure to utilize a licensed professional for installation. Swiss Madison® is not responsible for any installation or removal costs.

This One Year Limited Warranty Will Be Voided If:


- The installation recommendations were not followed by the installer
- The product has been moved from its initial place of installation
- The product has in any way been modified from its packaged state
- The product has been subjected to improper maintenance, abuse, misuse, excessive use of chemicals, accidents, or other damages, etc.

Swiss Madison® makes no implication that its products comply with any local building or plumbing codes. It is the consumer's responsibility and obligation to determine local code compliance prior to and during installation. This warranty extends only to the original purchaser and first consumer.

Swiss Madison® is not responsible for any special, incidental or consequential damages associated with the installation, replacement, return or use of the original purchaser's product. This includes, but is not limited to: freight costs, labor, travel time, lost profit, home damages and other contingent liabilities and costs (including, without limitation, costs associated with 'professionals' or 'experts', investigations, audits, analyses, attorneys and any other professional/hired services).

The Swiss Madison® warranty is a comprehensive and explicit limit of liability. All items not disclosed within the warranty are not addressable within the responsibility of Swiss Madison®. Certain states have variances regarding implied warranties; in those situations, we remain fully compliant.

**If you have any questions or concerns, please contact us directly at
1-434-MADISON (623-4766)**

 **WARNING:** Contents of your order may contain sharp and possibly other harmful pieces and may cause hazard to children and adults. Swiss Madison® is not responsible in any way for personal damages.