

ASSEMBLY INSTRUCTION








ITEM: 6750-90202-85 Seven-Drawer Dresser
 6750-90202-97 Seven-Drawer Dresser
 6750-90004-97 Mirror


Thank you for purchasing this quality product. Be sure to unpack carefully looking for small parts which may have come loose during shipment.

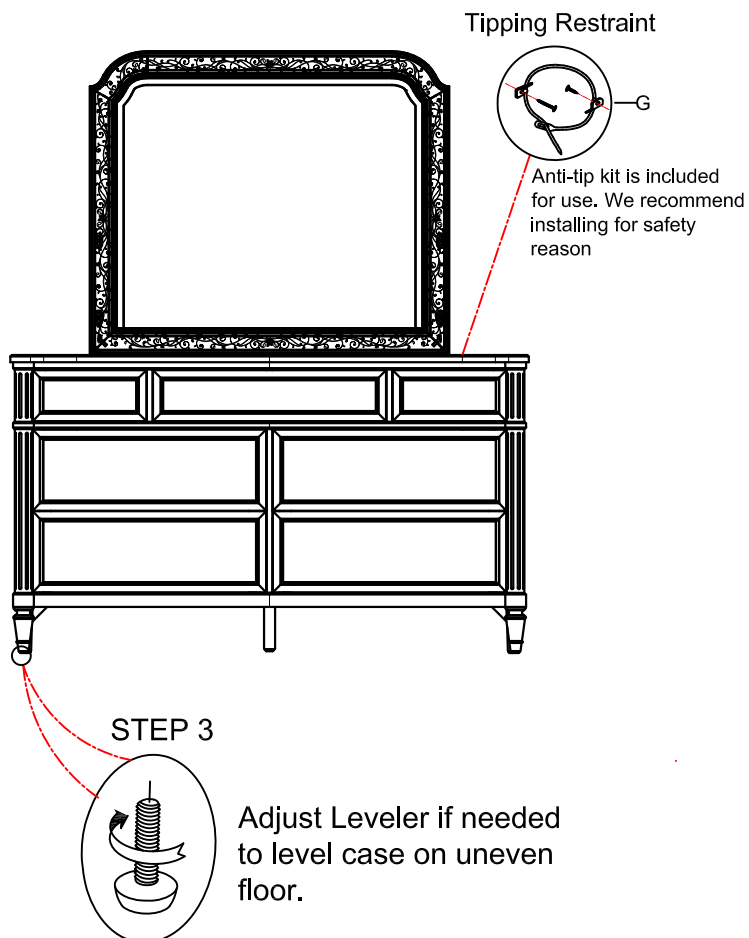
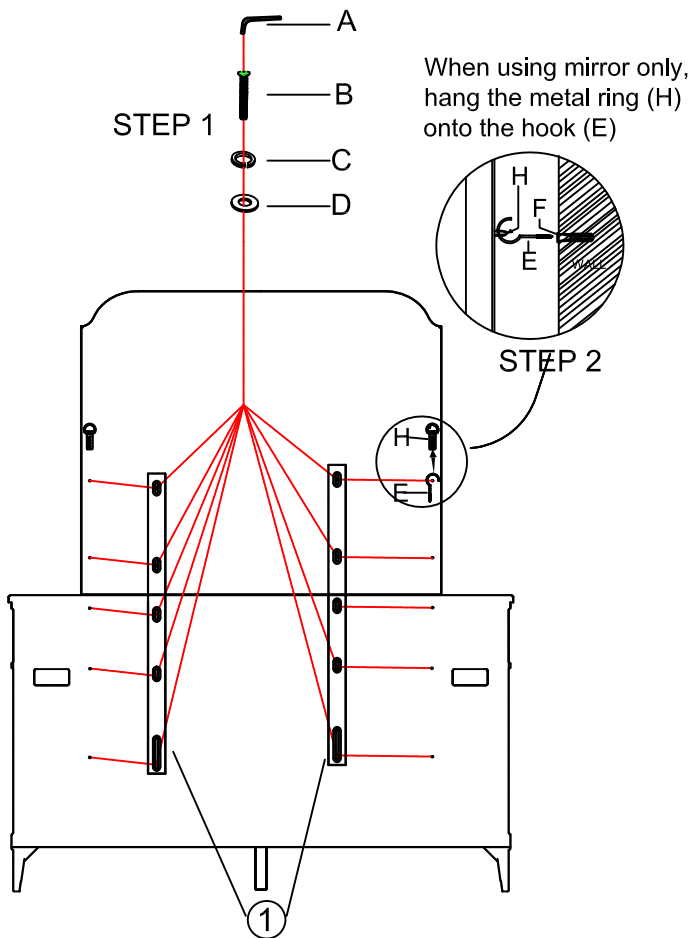
Read all instruction and study the drawing carefully before starting the assembly process.

HARDWARE PACK

PART LIST

NO.	DRAWING	DESCRIPTION	SIZE	Q'TY
A		Allen Wrench	69*27.2*4mm	1PC
B		Bolt	1/4"	10PCS
C		Lock Washer	1/4"	10PCS
D		Flat Washer	1/4"	10PCS
E		Hook	4*53mm	2PCS
F		Plastic Anchor	∅ 9*30mm	2PCS
G		Anti-Tip Kit		1PC

NO.	DRAWING	DESCRIPTION	Q'TY
①		Wooden Support	2PCS



Note: Anti-tip kit restraint is provided. Please follow the instructions enclosed with the pack.





ASSEMBLY INSTRUCTION


ITEM: 6750-90202-85 Seven-Drawer Dresser
6750-90006-85 Landscape Mirror

Thank you for purchasing this quality product. Be sure to unpack carefully looking for small parts which may have come loose during shipment.
Read all instruction and study the drawing carefully before starting the assembly process.

HARDWARE PACK

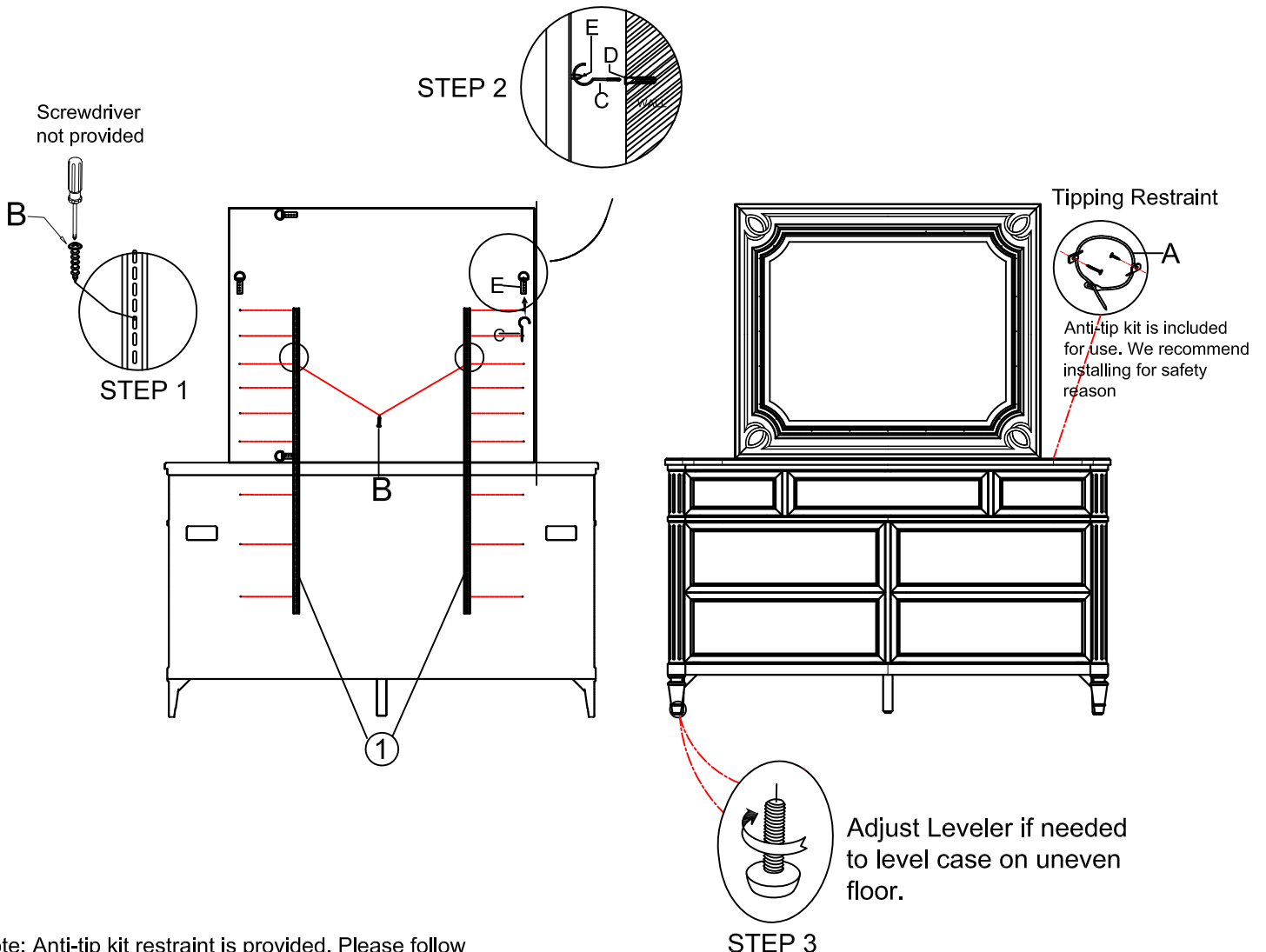
PART LIST

NO.	DRAWING	DESCRIPTION	SIZE	Q'TY
A		Anti - Tip Kit		1PC
B		Screw	8mm*3/4"	18PCS
C		Hook	4*53mm	4PCS
D		Plastic Anchor	∅9*30mm	4PCS

NO.	DRAWING	DESCRIPTION	SIZE	Q'TY
1		Mending Plate	1220*25*14mm	2PCS

Note: The mirror can be attached with two different ways.

When using mirror only,
hang the metal ring (E)
onto the hook (C)



Note: Anti-tip kit restraint is provided. Please follow the instructions enclosed with the pack.




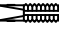
ASSEMBLY INSTRUCTION


ITEM: 6750-90202-85 Seven-Drawer Dresser
6750-90006-85 Landscape Mirror

Thank you for purchasing this quality product. Be sure to unpack carefully looking for small parts which may have come loose during shipment.
Read all instruction and study the drawing carefully before starting the assembly process.

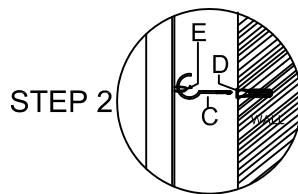
HARDWARE PACK

PART LIST

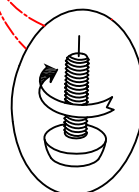
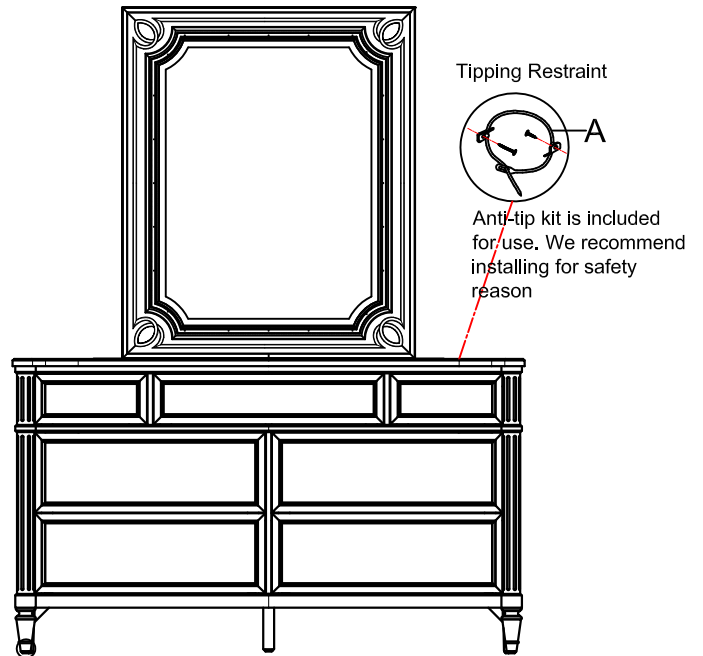
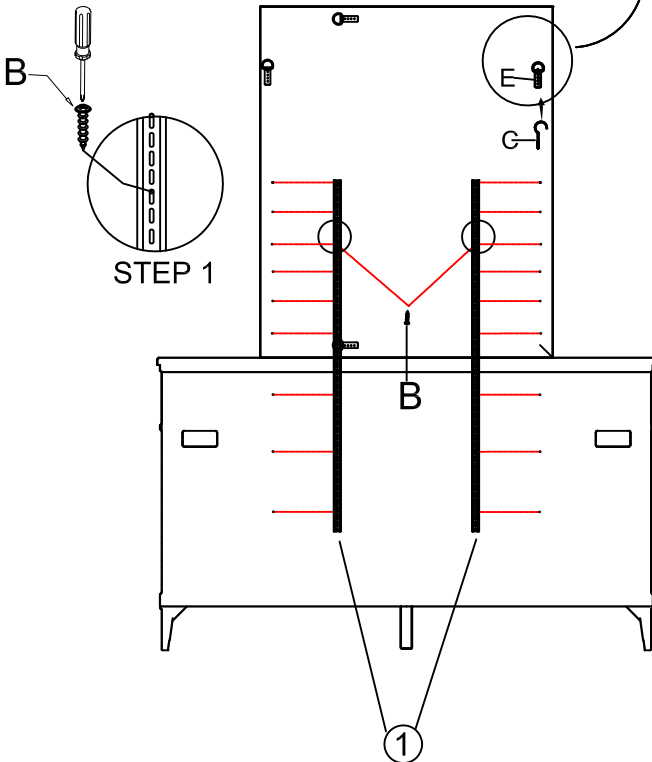
NO.	DRAWING	DESCRIPTION	SIZE	Q'TY
A		Anti - Tip Kit		1PC
B		Screw	8mm*3/4"	18PCS
C		Hook	4*53mm	4PCS
D		Plastic Anchor	∅ 9*30mm	4PCS

NO.	DRAWING	DESCRIPTION	SIZE	Q'TY
1		Mending Plate	1220*25*14mm	2PCS

When using mirror only,
hang the metal ring (E)
onto the hook (C)



Screwdriver
not provided



Adjust Leveler if needed
to level case on uneven
floor.

ASSEMBLY INSTRUCTION





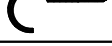
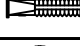

ITEM: 6750-90202-85 Seven-Drawer Dresser
6750-90008-85 Landscape Mirror


Thank you for purchasing this quality product. Be sure to unpack carefully looking for small parts which may have come loose during shipment.

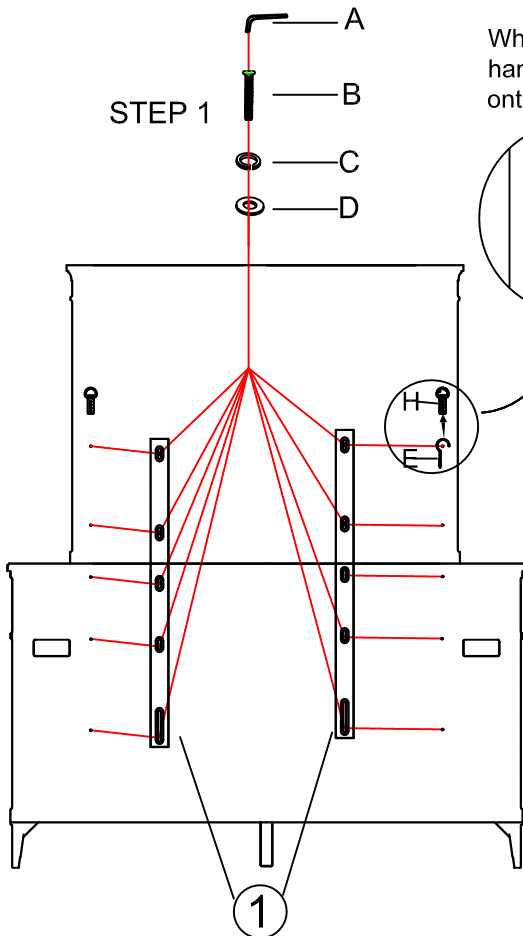
Read all instruction and study the drawing carefully before starting the assembly process.

HARDWARE PACK

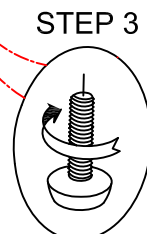
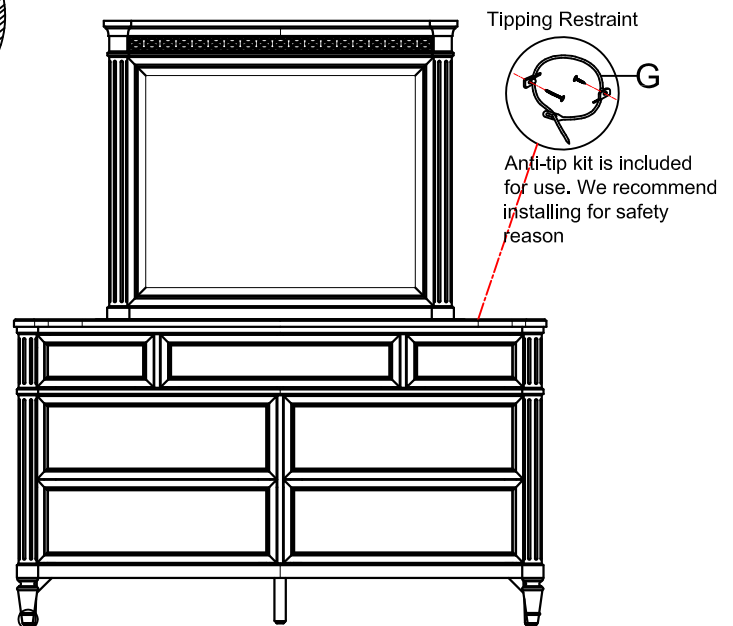
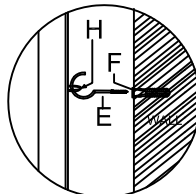
PART LIST

NO.	DRAWING	DESCRIPTION	SIZE	Q'TY
A		Allen Wrench	69*27.2*4mm	1PC
B		Bolt	1/4"	10PCS
C		Lock Washer	1/4"	10PCS
D		Flat Washer	1/4"	10PCS
E		Hook	4*53mm	2PCS
F		Plastic Anchor	∅ 9*30mm	2PCS
G		Anti-Tip Kit		1PC

NO.	DRAWING	DESCRIPTION	Q'TY
①		Wooden Support	2PCS



When using mirror only, hang the metal ring (H) onto the hook (E)



Adjust Leveler if needed to level case on uneven floor.

Note: Anti-tip kit restraint is provided. Please follow the instructions enclosed with the pack.