



TEAMSON™

Kids

Item No: TD-11779C
COUNTRY LIVING - 1 PIECE KITCHEN

Teamson Kids - Red Retro Play
Kitchen (2pcs)

WARNING:

Small parts and sharp points may be present prior to assembly.

Care Instructions

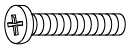
To clean your product, use mild soap and water on a damp cloth. Do not use window cleaners or cleaning abrasives as they will scratch the surface and could damage the protective coating.

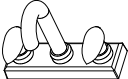
Customer Service

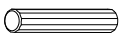
For questions regarding this product, or to receive replacement or missing parts, please contact customer service based on your location. Please have ready the model number and part number(s) located in this assembly instruction sheet when you contact us.


www.teamsonkids.com

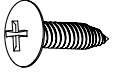
HARDWARES:

①  39PCS
Ø4×22mm

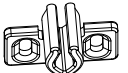
⑧  1PC


②  14PCS
Ø5×30mm

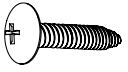
⑨  1PC

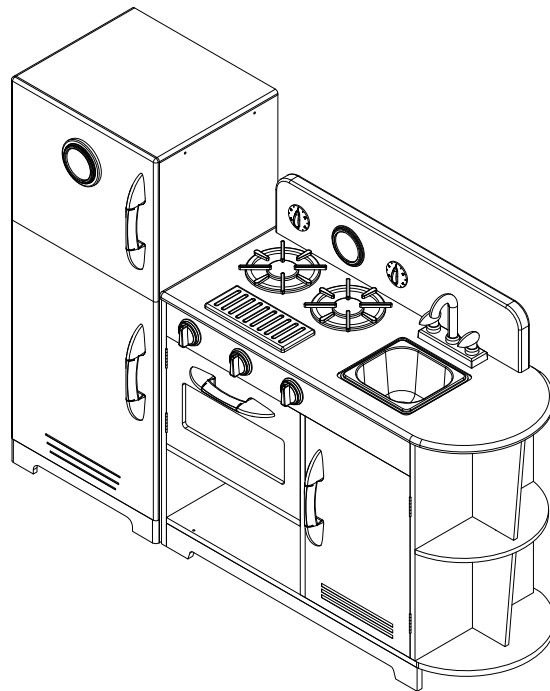
③  16PCS
Ø3×9mm

④  4PCS

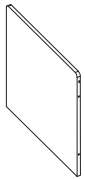
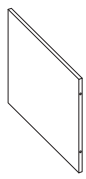
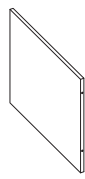
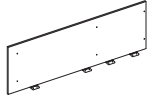
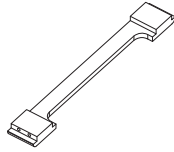
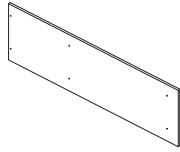

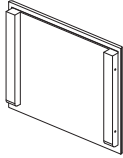
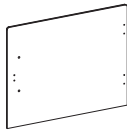

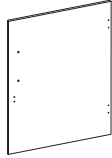
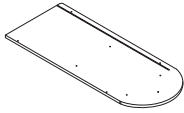
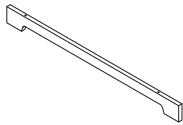
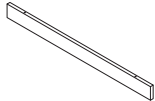
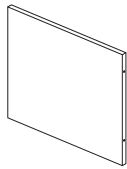
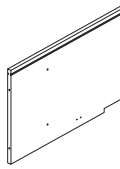
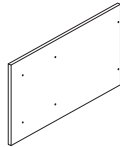
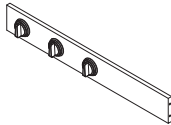
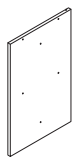

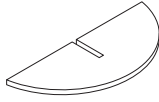
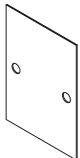
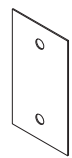
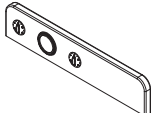
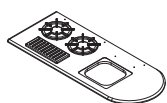
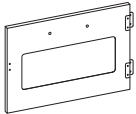
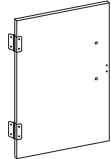
⑤  4PCS

⑥  16PCS
Ø3×10mm


⑦  8PCS
Ø5×18mm




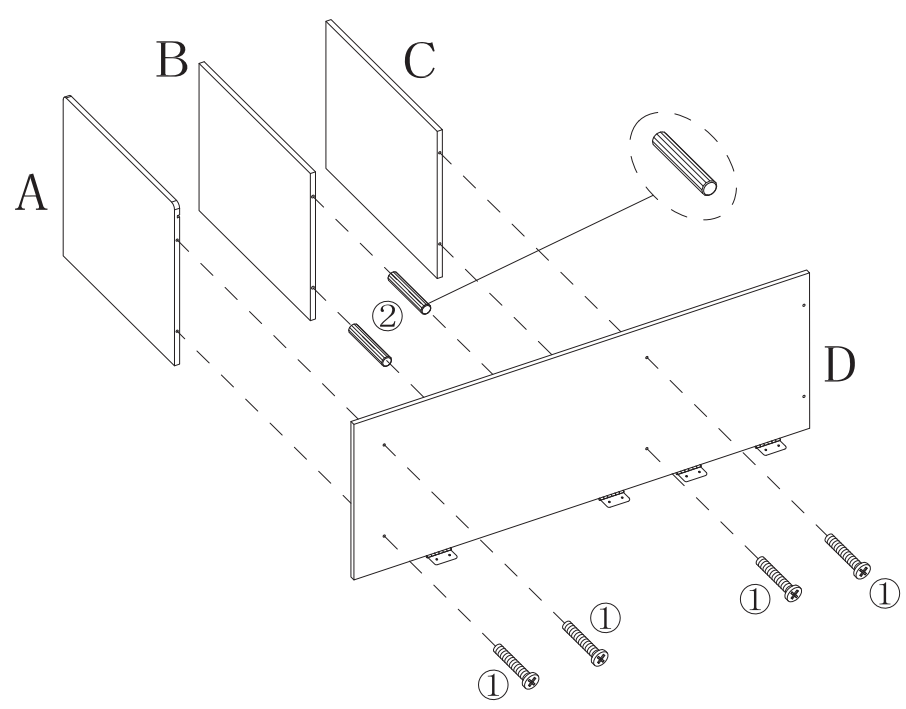
PRODUCT PARTS :

A	B	C	D	E	F
					
1PC	1PC	1PC	1PC	1PC	1PC
G	H	I	J	K	L
					
1PC	1PC	1PC	4PCS	1PC	1PC
M	N	O	P	Q	R
					
1PC	1PC	1PC	1PC	1PC	1PC
S	T	U	V	W	X
					
1PC	1PC	1PC	1PC	1PC	1PC
Y	Z	⑩			
					
1PC	1PC	1PC			


Step 1

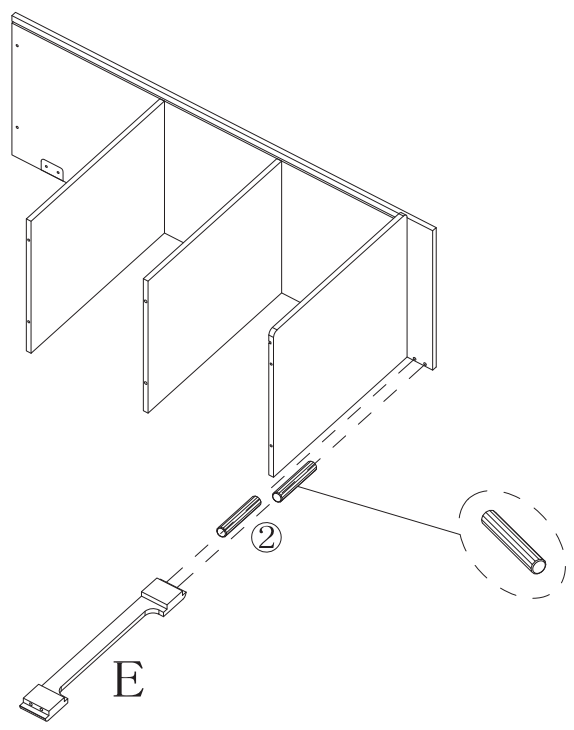
①  4PCS
Ø4×22mm

②  2PCS
Ø5×30mm

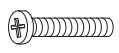



Step 2

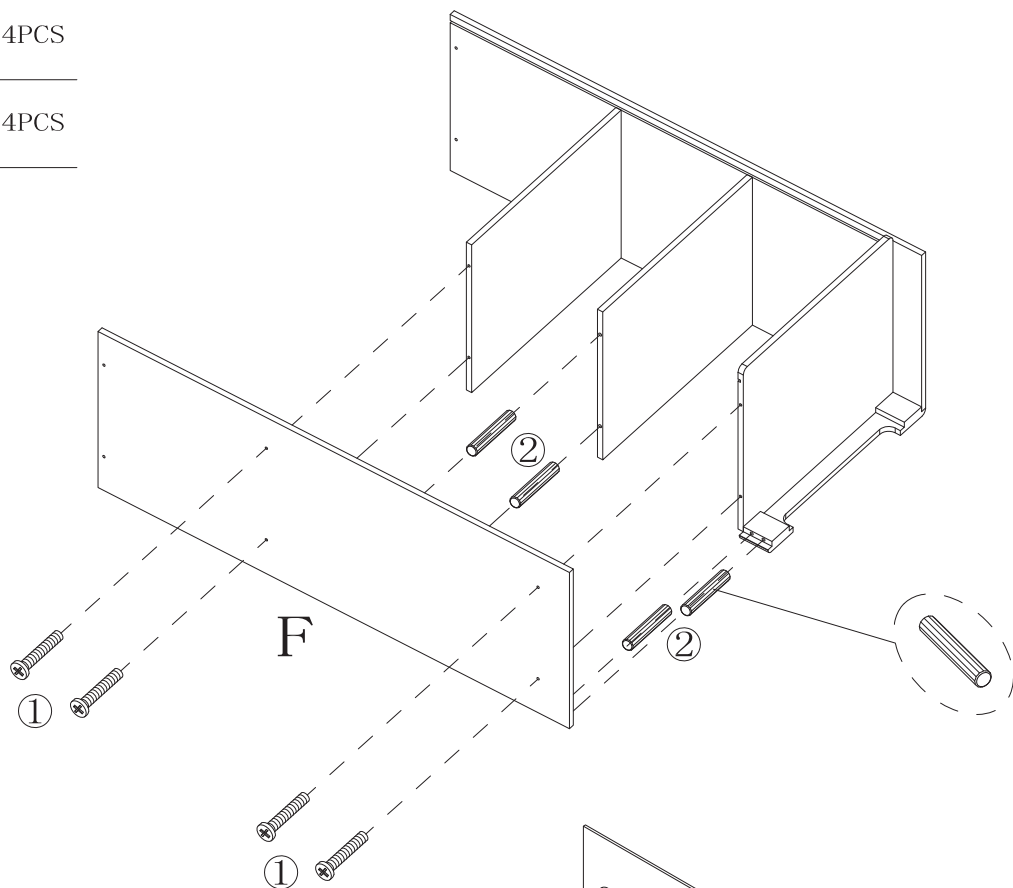
②  2PCS
Ø5×30mm



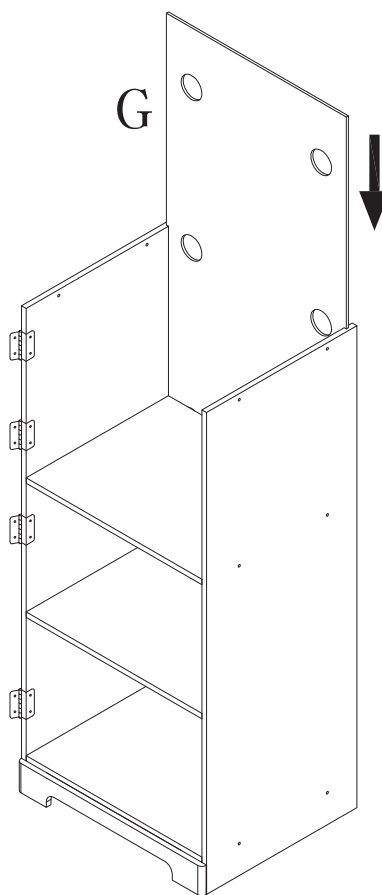
Step 3

①  4PCS
Ø4×22mm


②  4PCS
Ø5×30mm

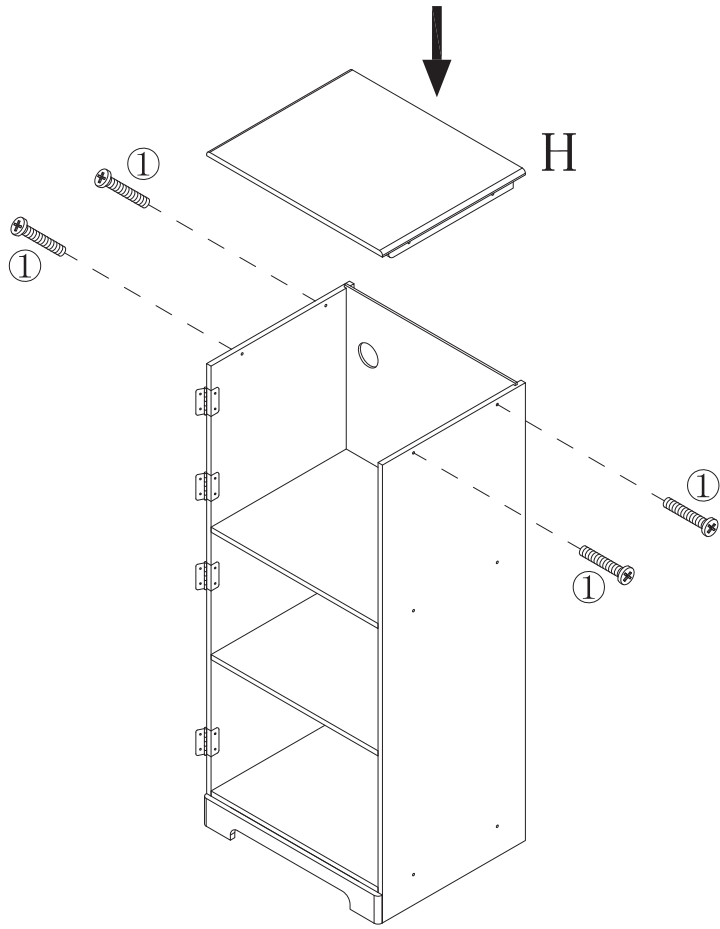


Step 4



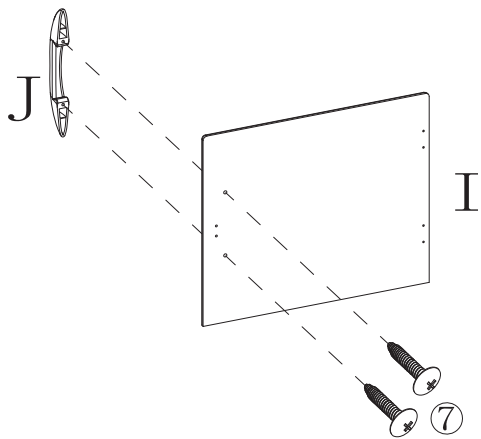
Step 5

①  4PCS
φ4×22mm



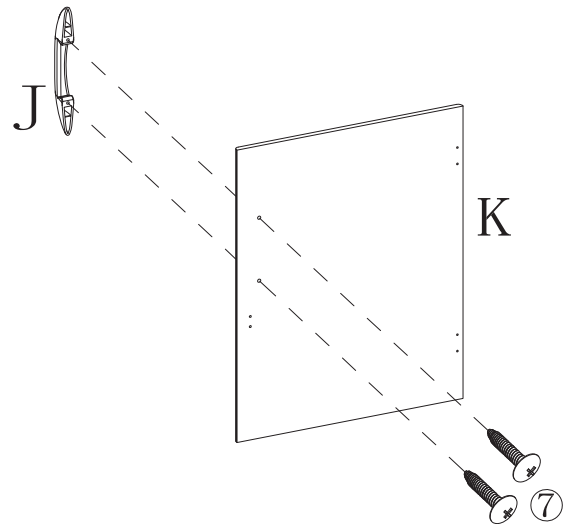
Step 6

⑦  2PCS
φ5×18mm




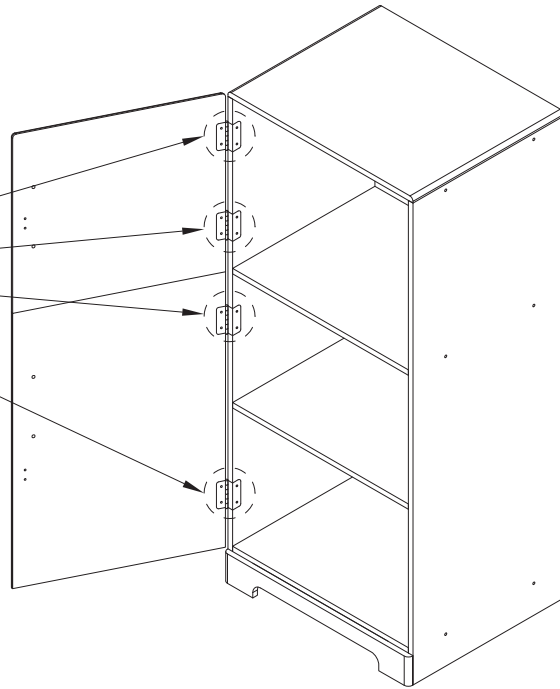
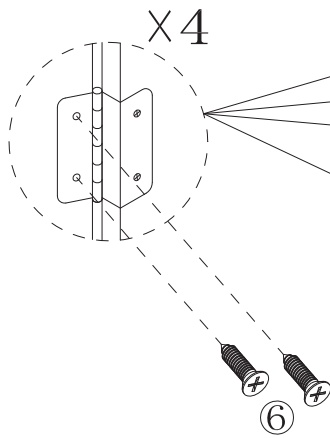
Step 7

⑦  2PCS
φ5×18mm




Step 8

- ⑥  8PCS
Ø3*10mm

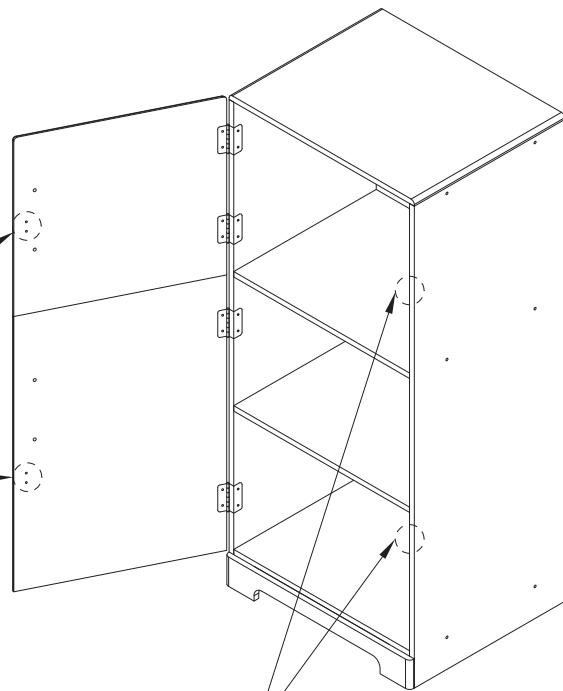
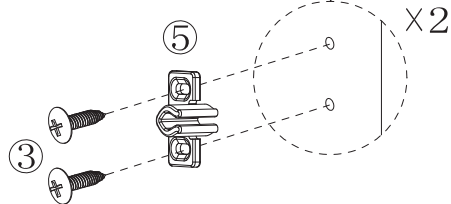
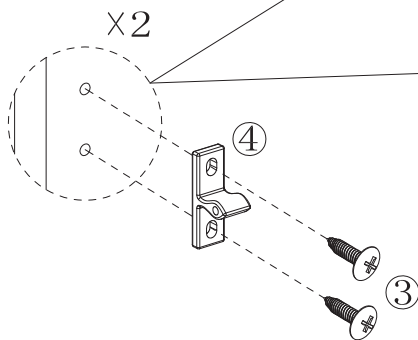


Step 9

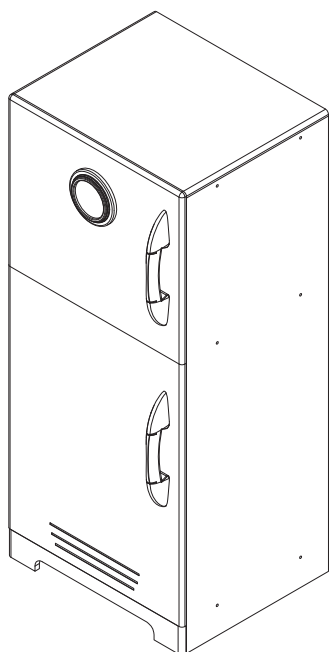
- ③  8PCS
Ø3×9mm

- ④  2PCS


- ⑤  2PCS

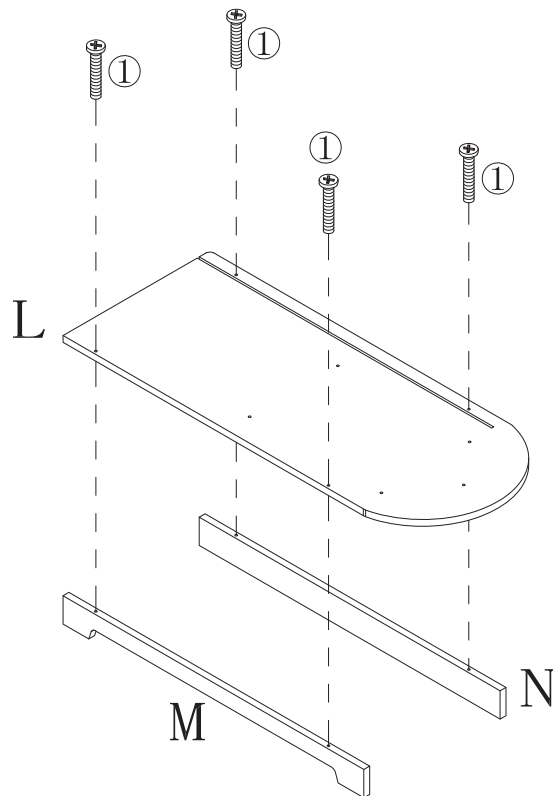


Step 10




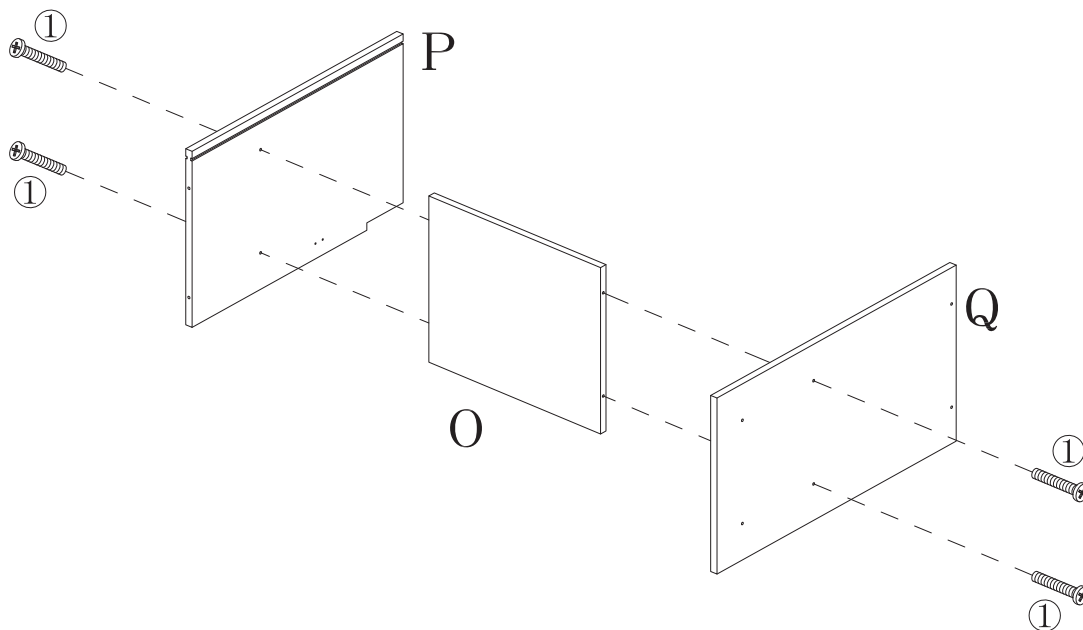
Step 11

①  4PCS
Φ4×22mm




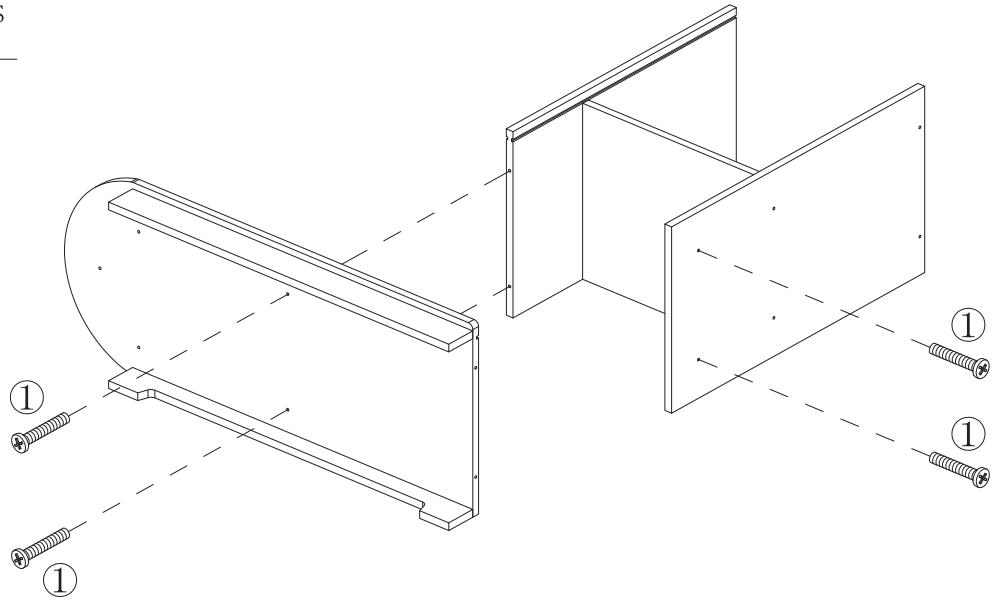
Step 12

①  4PCS
Φ4×22mm

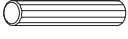


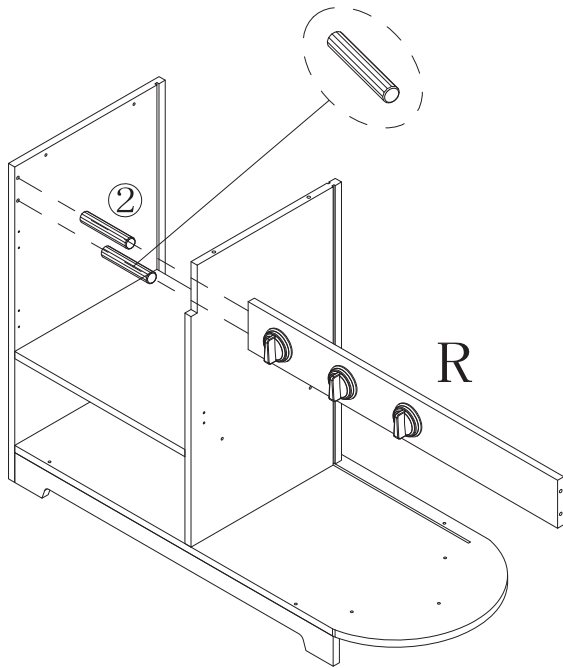
Step 13

- ①  4PCS
φ4×22mm




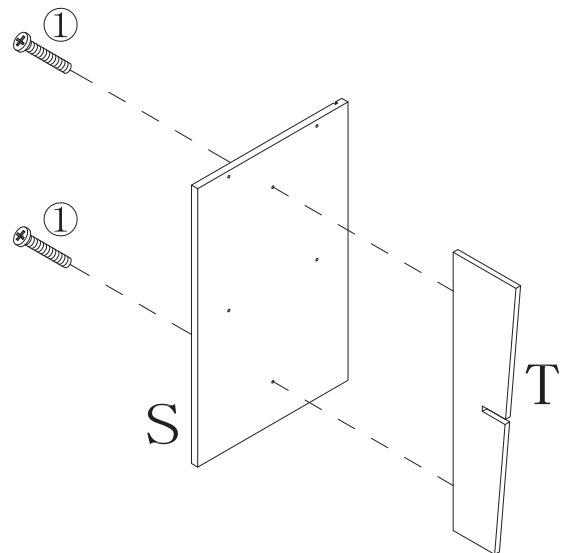
Step 14

- ②  2PCS
φ5×30mm




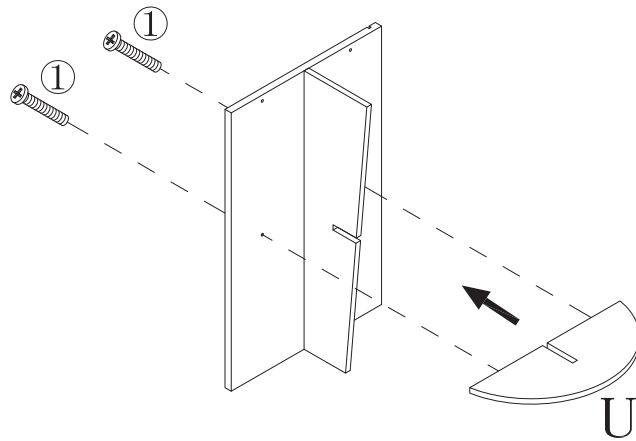
Step 15

- ①  2PCS
φ4×22mm


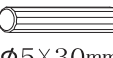


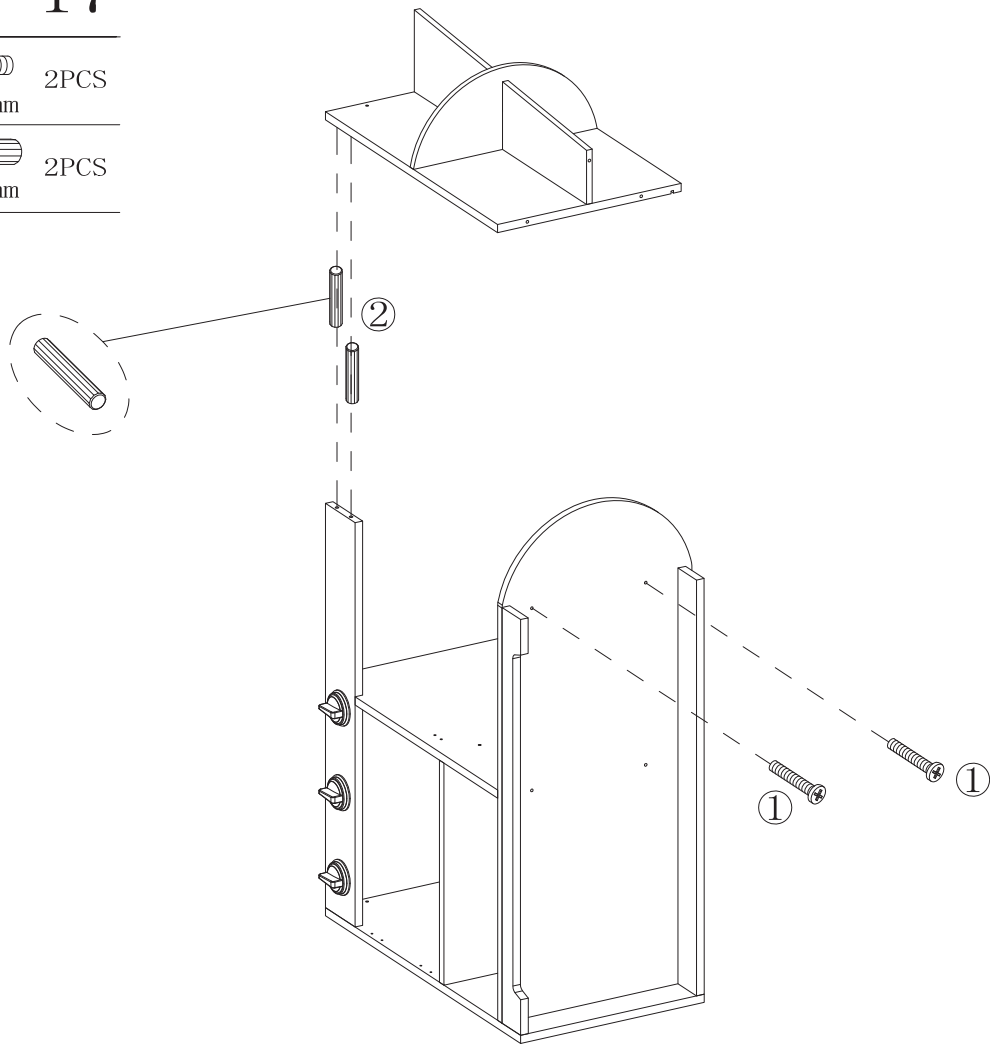
Step 16

- ①  2PCS
 $\phi 4 \times 22\text{mm}$

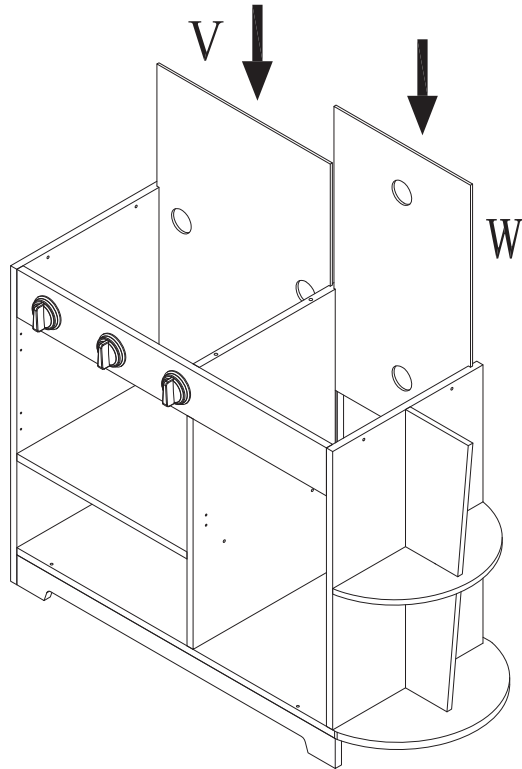


Step 17


- ①  2PCS
 $\phi 4 \times 22\text{mm}$
- ②  2PCS
 $\phi 5 \times 30\text{mm}$

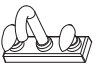


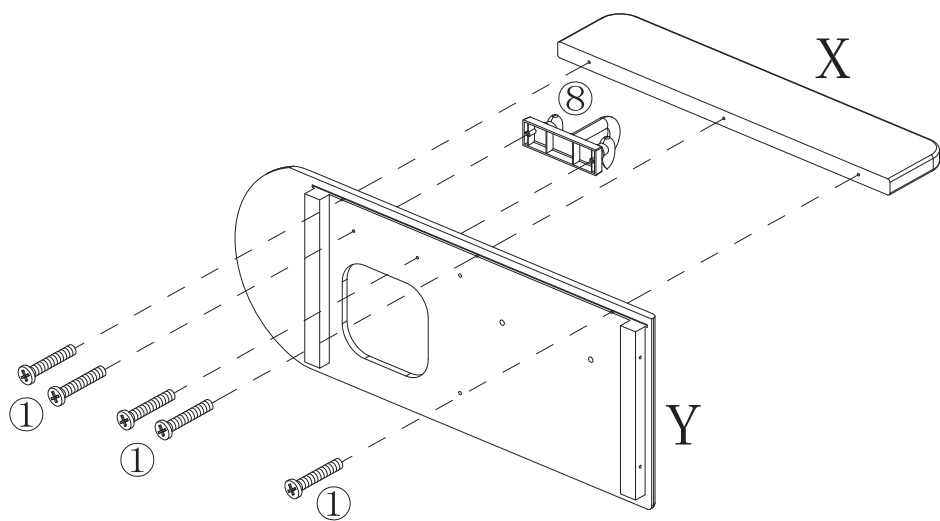
Step 18



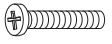

Step 19

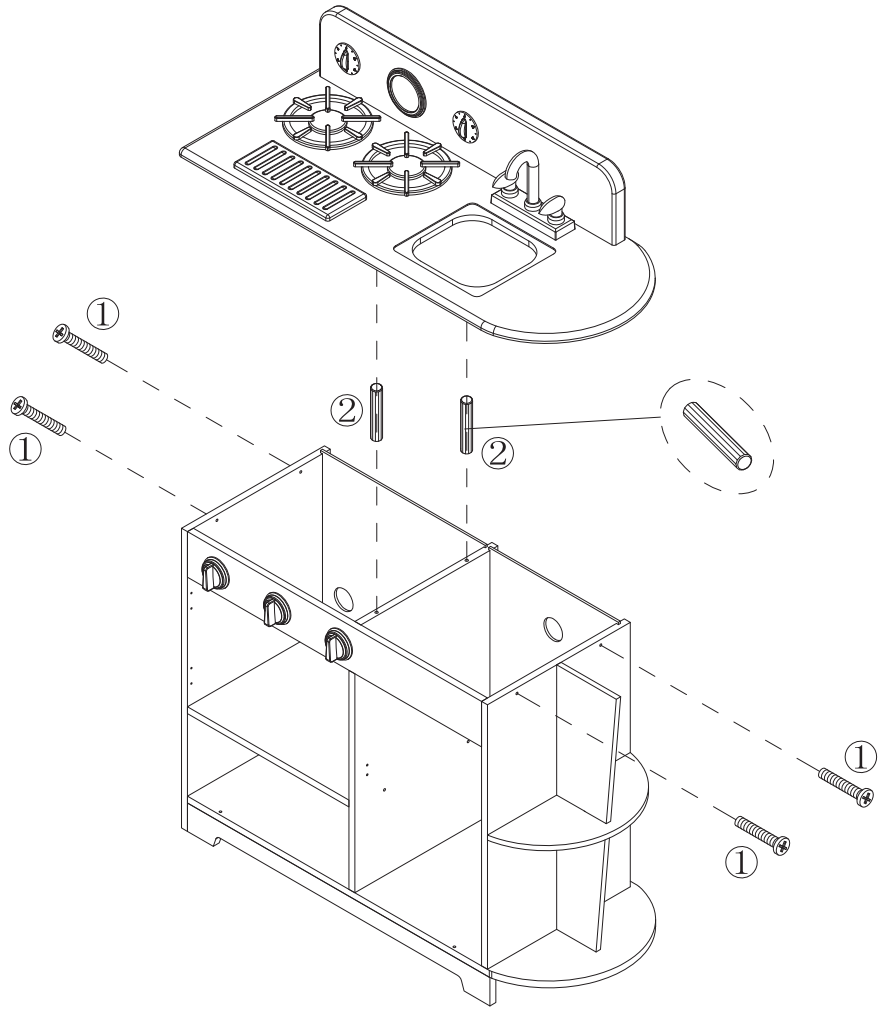
①  5PCS
 $\phi 4 \times 22\text{mm}$

⑧  1PC



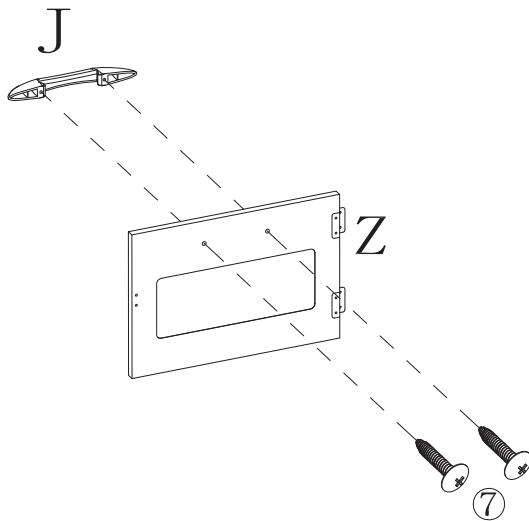
Step 20

- ①  4PCS
φ4×22mm
- ②  2PCS
φ5×30mm



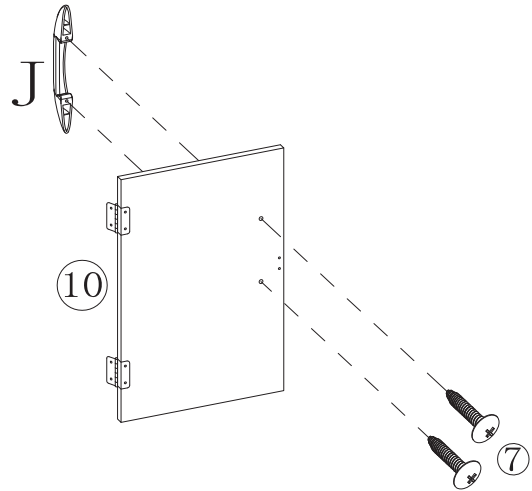
Step 21

- ⑦  2PCS
φ5×18mm



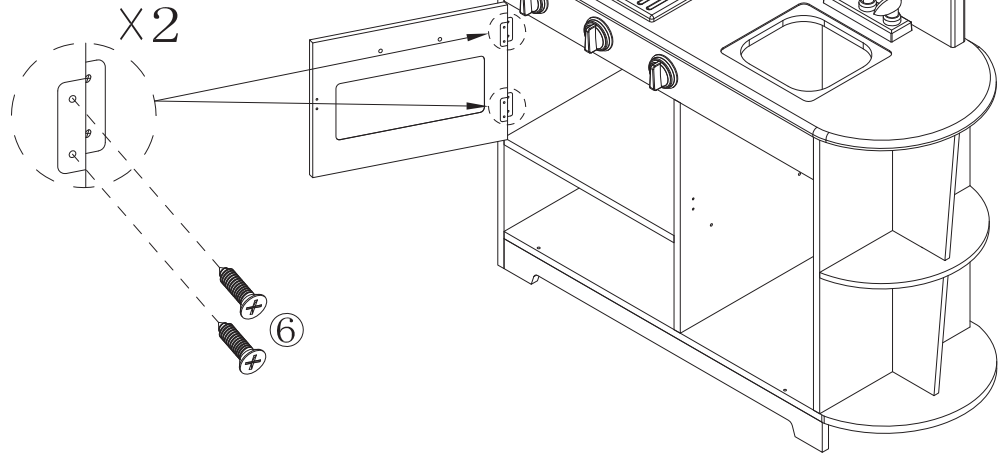
Step 22

- ⑦  2PCS
φ5×18mm



Step 23

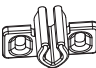
- ⑥  4PCS
ø3*10mm

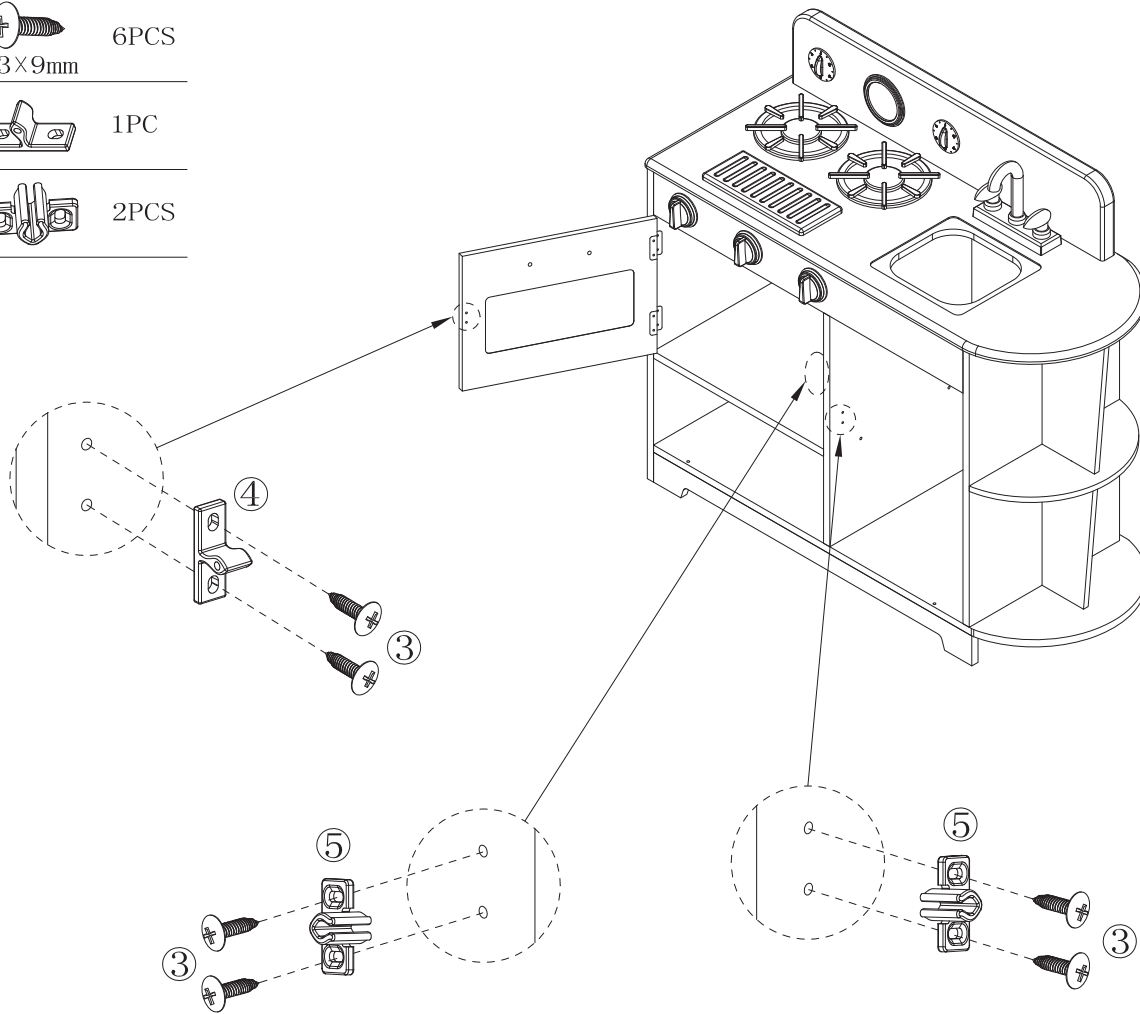


Step 24


- ③  6PCS
ø3*9mm

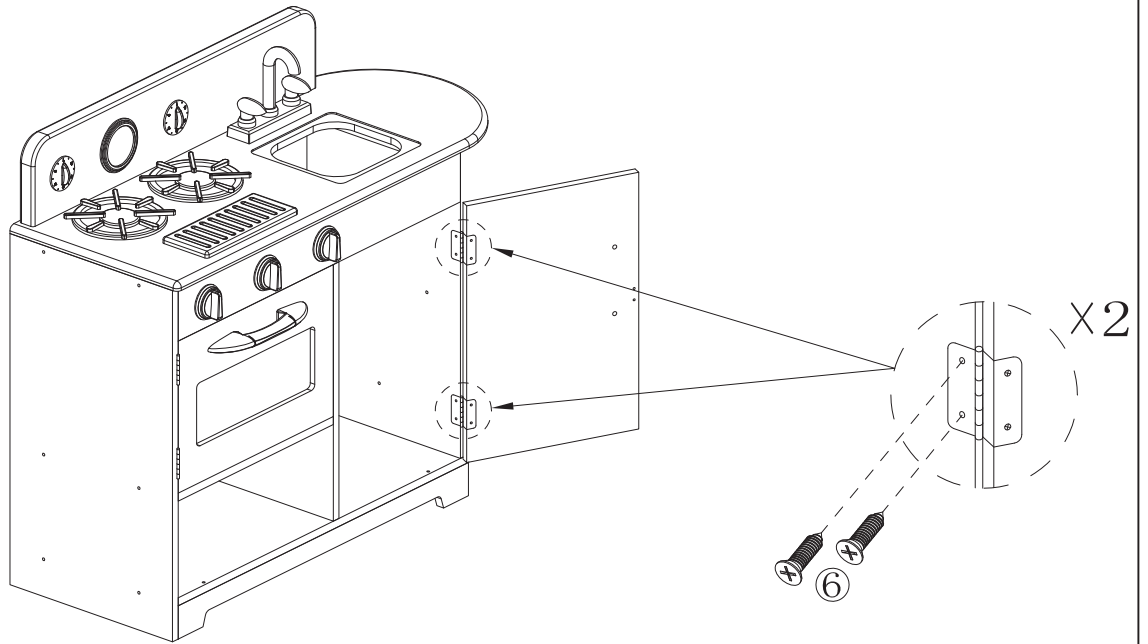
- ④  1PC

- ⑤  2PCS





Step 25

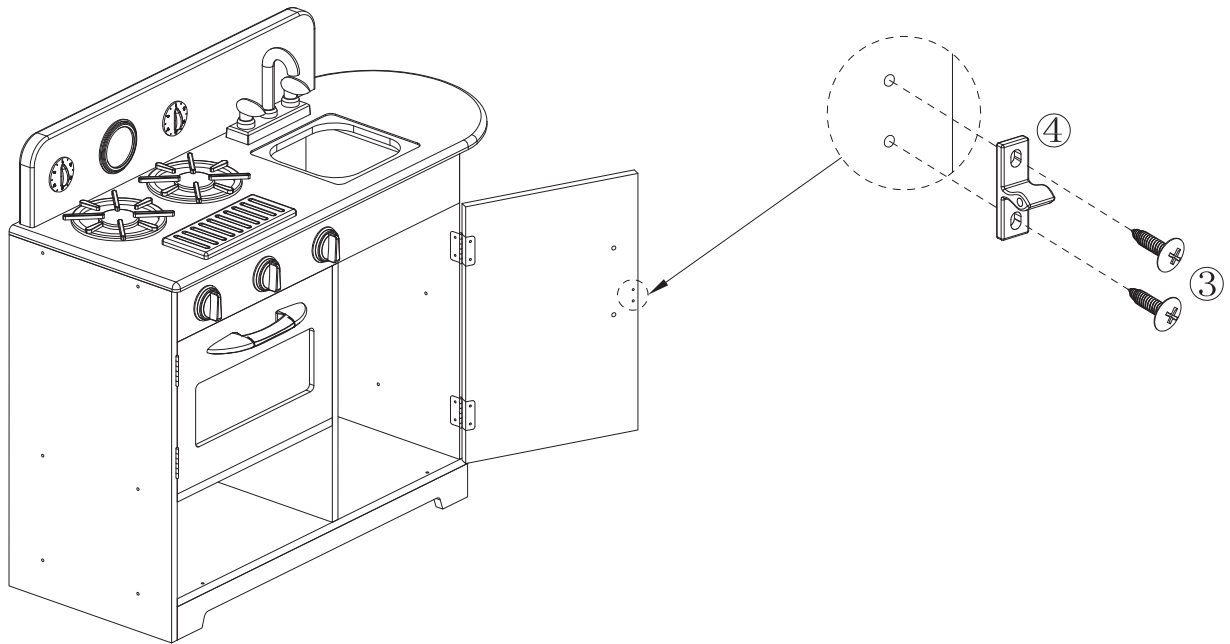
- ⑥  4PCS
Ø3*10mm



Step 26

- ③  2PCS
Ø3*9mm

- ④  1PC

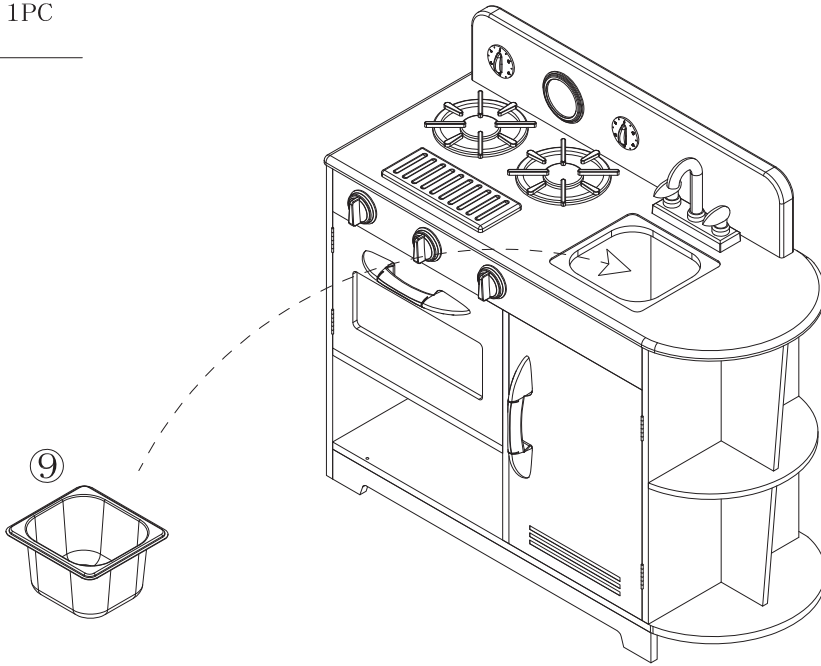


Step 27

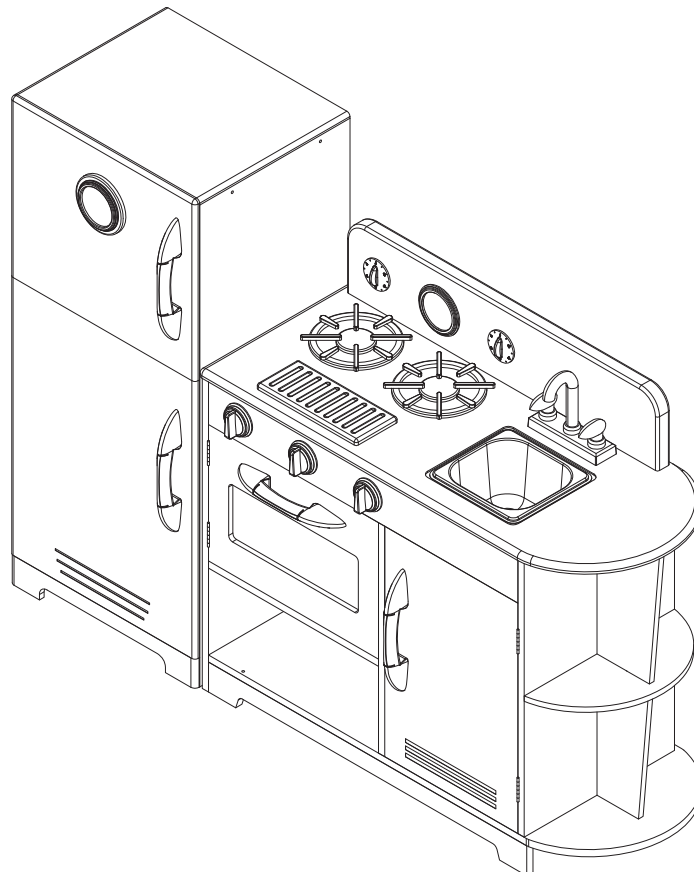
⑨



1PC



Step 28



MADE IN CHINA