

SINCE 1839

BRINLY

SINCE 1839

BRINLY

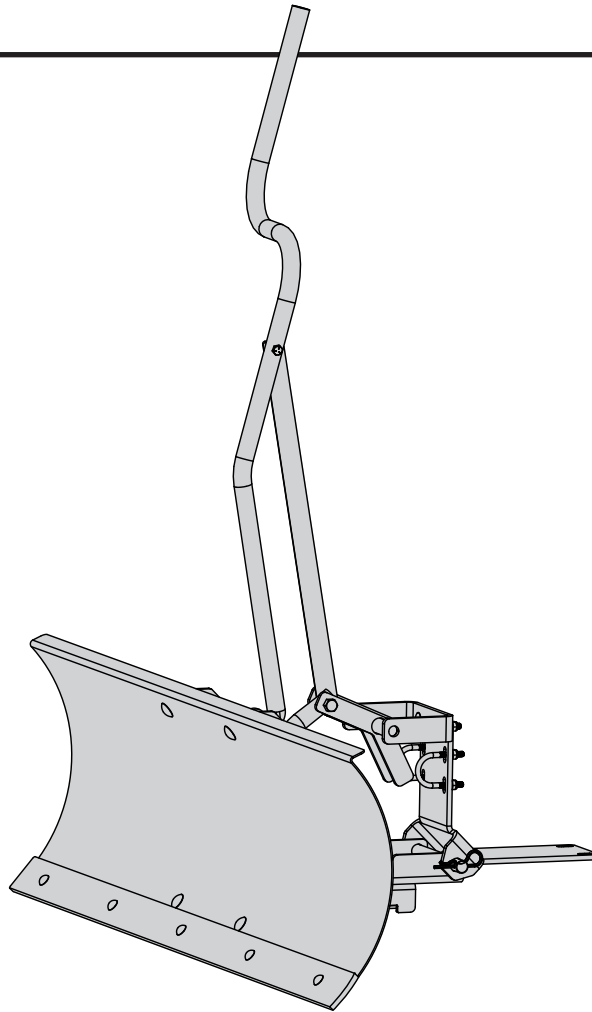
OWNER'S MANUAL

FRONT MOUNT BLADE

MODEL:

FB-42RY

- Assembly
- Installation
- Operation
- Repair Parts



Call Customer Service, Toll-Free: 877-728-8224

Visit us on the web!
www.brinly.com

Important: This manual contains information for the safety of persons and property. Read it carefully before assembly and operation of the equipment!

INTRODUCTION

Congratulations on the purchase of your new Brinly-Hardy Front-Mount Blade! This product has been designed, engineered and manufactured to give you the best possible dependability and performance.



CUSTOMER RESPONSIBILITIES

- Please read and retain this manual. The instructions enable you to assemble and maintain your blade properly.
- Please carefully read and observe the SAFETY section of this manual.
- Follow a regular schedule in maintaining and caring for your Brinly-Hardy Blade.

TABLE OF CONTENTS

SAFETY	2-3
PARTS LIST AND REFERENCE	4-5
ASSEMBLY	7-15
OPERATION	16-17
STORAGE	18
MAINTENANCE	19
LIMITED WARRANTY	20

RECORD PURCHASE INFORMATION

Record your purchase information in the spaces provided below:

DATE OF PURCHASE _____

COMPANY NAME _____

COMPANY PHONE _____

SERIAL NUMBER _____

SAFETY



This symbol will help to point out important safety precautions throughout this manual. It means: **ATTENTION! BECOME ALERT! Your safety is involved.**

SAFETY LABELS AND NOTATION

The safety labels shown in this section are placed in important areas on your product to draw attention to potential safety hazards.

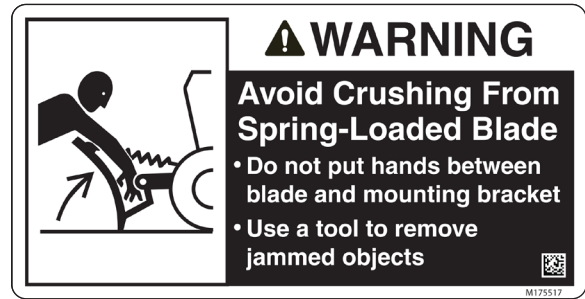
On your product safety labels, the words **DANGER**, **WARNING** and **CAUTION** are used with the safety-alert symbol. **DANGER** identifies the most serious hazards.

The operator's manual also explains any potential safety hazards whenever necessary in special safety messages that are identified with the word, **CAUTION**, and the safety-alert symbol.



CAUTION: Keep feet and hands clear of blade while raising and lowering the blade. Pay close attention to your surrounding and people in your immediate area at all times.

SAFETY



GENERAL NOTES (OPERATION)

Caution should be taken when using any attachment. This attachment combined with the weight distribution, turning radius, and speed of vehicle can result in severe injury or death to operator, damage to vehicle, and/or attachment if not used properly. Follow all safety precautions noted in the vehicle owner's manual, including the following precautions:

- Only use this product in the vehicle's tow mode/speed setting or less than 5 mph. Do not exceed 5 mph.
- Operating speed should always be slow enough to maintain control. Travel slowly, using caution when traveling over rough terrain. Avoid holes, rocks and roots.
- Slow down before you turn and do not turn sharply.
- Use caution when operating around retaining walls and other raised embankments.
- Do not use attachment on steep slopes. A heavy load could cause loss of control or overturn attachment and vehicle.
- Keep all movement on slopes slow and gradual. Do not make sudden changes in speed, directions or turning.
- If you start and stop suddenly on hills, you may lose steering control.
- Do not start or stop suddenly when going uphill or downhill. Avoid uphill starts.
- Slow down & use extra care on hillsides. Use extreme caution while operating near drop-offs.
- Do not drive close to creeks, ditches and public highways.
- Watch out for traffic when crossing roadways.
- Use care when loading or unloading the vehicle into a trailer or truck.
- When reversing, back up straight using caution.
- Stop on level ground, disengage drives, set the parking brake, and shut off engine before leaving the operator's position for any reason.
- Use this attachment for intended purpose only.
- Always wear substantial slip-resistant footwear. Do not wear loose-fitting clothing, tie back long hair and do not wear jewelry.
- Keep your eyes and mind on your vehicle, attachment and area being covered. Do not let other interests distract you.
- Stay alert for holes and other hidden hazards in the terrain.
- Keep the vehicle and attachment in good operating condition and keep safety devices in place.

- The vehicle and attachment should be stopped and inspected for damage after striking a foreign object. Any damage should be repaired before restarting and operating the equipment.
- Keep all parts in good condition and properly installed. Fix damaged parts immediately. Replace worn or broken parts.
- Replace all worn or damaged safety and instruction decals. Keep all nuts, bolts and screws tight.
- Do not modify the attachment or safety devices. Unauthorized modifications to the vehicle or attachment may impair its function, safety and void the warranty.

VEHICLE AND ITS SAFETY

- Know your vehicle controls and how to stop safely. READ YOUR VEHICLE OWNER'S MANUAL before operating.
- Check the vehicle's brake action before you operate. Adjust or service brakes as necessary.
- Stopping distance increases with speed and weight of load. Travel slowly and allow extra time and distance to stop.
- Do not shift to neutral and coast downhill.
- Do not allow adults to operate the vehicle without proper instruction or without having read the owner's manual.
- Do not allow children to operate the vehicle.

PROTECT THOSE AROUND YOU

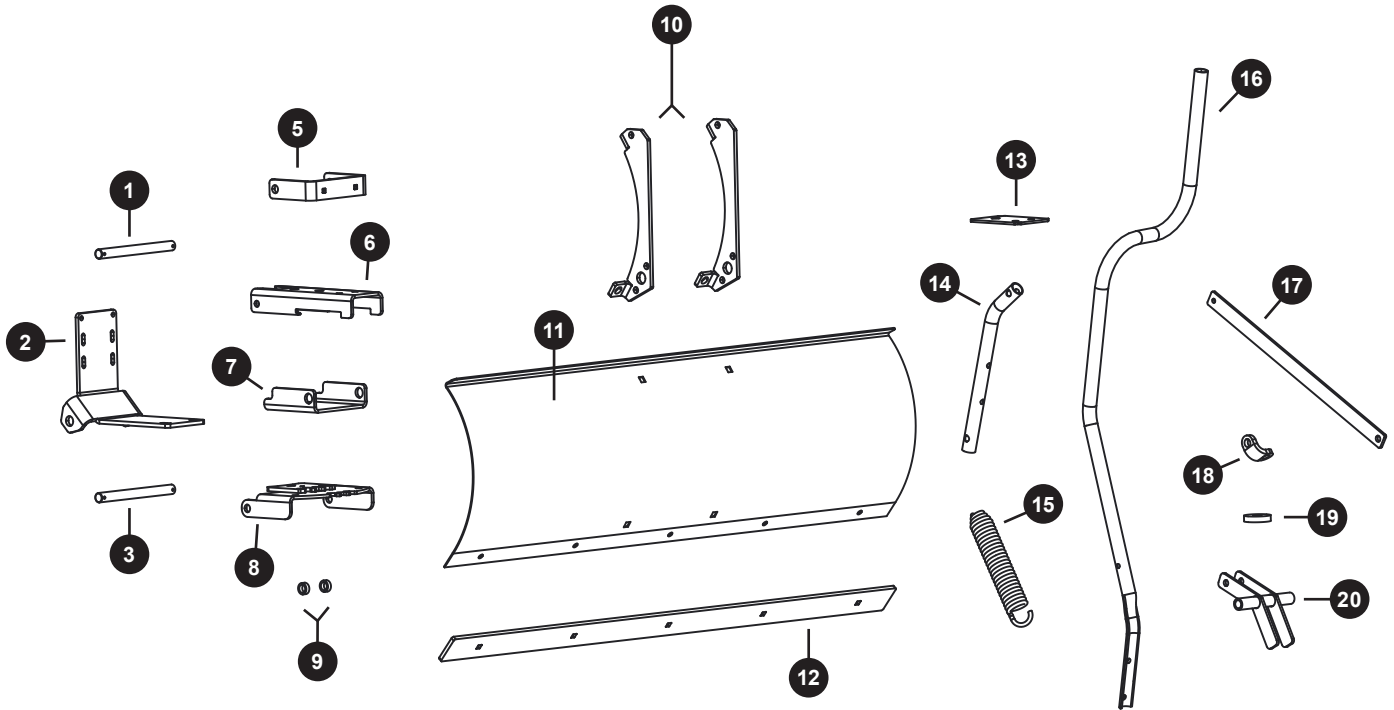
- Before you operate any feature of this attachment or vehicle, observe your surroundings and look for bystanders.
- Keep children, bystanders and pets at a safe distance away while operating this or any attachment.
- Use care when reversing. Before you back up, look carefully behind for bystanders.

KEEP RIDERS OFF ATTACHMENT & VEHICLE

- Do not carry passengers.
- Do not let anyone, especially children, ride in/on this attachment, the vehicle or mount bracket.
- Riders are subject to injury such as being struck by foreign object and/or being thrown off during sudden starts, stops and turns.
- Riders may also obstruct the operator's view resulting in this attachment being operated in an unsafe manner.

PARTS LIST AND REFERENCE

EXPLODED VIEW



REF	PART NO.	DESCRIPTION	QTY	REF	PART NO.	DESCRIPTION	QTY
1	1017741-01	Rod, Hinge Plated	1	11	1018347	Blade, 42"	1
2	1017835-10	Painted Mount, Front	1	12	1018118-10	Wear Bar, 42" Painted	1
3	1018092-01	Rod, Transport Plated	1	13	1018119-10	Painted Plate, Bottom	1
4	1018104	Hardware Bag *	1	14	1018120-10	Painted Tube, Raise	1
	1018352	Parts Bag *	1	15	1018121	Trip Spring	1
5	1018105-10	Painted Bracket, Pivot	1	16	1018122-10	Painted Tube, Handle	1
6	1018109-10	Painted Bracket, Lower PV	1	17	1019274-10	Painted Plate, Handle	1
7	1018110-10	Painted, Bracket Up Pivot	1	18	B-7215-10	Spring Bracket	1
8	1018111-10	Painted, Hinge Weldment	1	19	B-723P-01	Thick Washer, 3/8"	1
9	1018115-01	Tube, Pivot Plated	2	20	1018106-10	Painted Cam Weldment	1
10	1018116-10	Ribs, Painted	2				

* Not shown

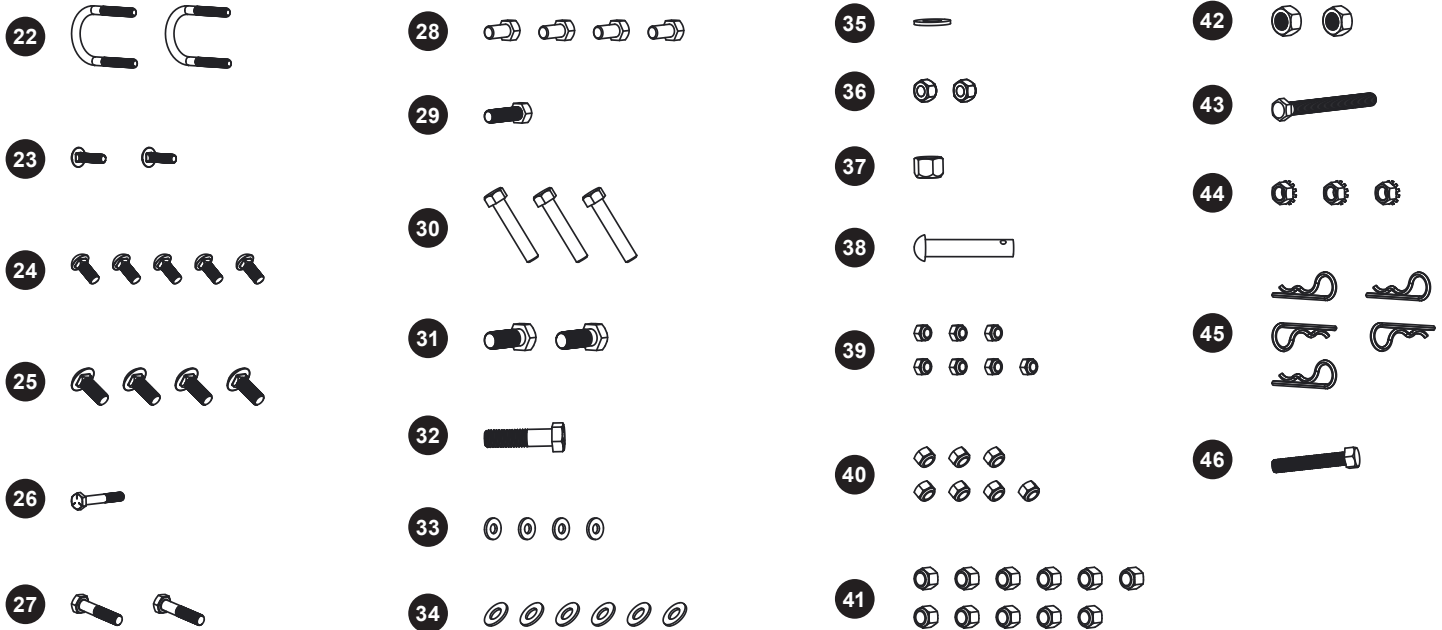


Tools Required for Assembly:

- 3/4" Socket & Wrench
- 9/16" Socket & Wrench
- 1/2" Socket & Wrench
- 7/16" Socket & Wrench
- 12 mm Wrench
- Ratchet Wrench
- Pliers
- Gloves

PARTS LIST AND REFERENCE

EXPLODED VIEW - HARDWARE BAG



REF	PART NO.	DESCRIPTION	QTY	REF	PART NO.	DESCRIPTION	QTY
21	1000225	Handle Grip *	1	35	45M1717P	Washer, Flat 1/2"	1
22	1017742	U-bolt	2	36	B-1675P	Nut, Hex Lock, 3/8"-16	2
23	11M0816P	Bolt, Carriage 1/4" x 1"	2	37	B-1677P	Nut, Hex Lock, 1/2"-13	1
24	11M1012P	Bolt, Carriage 5/16 x 3/4	5	38	B-3861	Pin, Hitch 1/2" X 2-1/2"	1
25	11M1216P	Bolt, Carriage 3/8 x 1	4	39	B-4785	Nut, Nylon Lock 1/4-20	7
26	2M0828P	Bolt, Hex Head 1/4 x 1-3/4	1	40	B-4786	Nut, Nylon Lock 5/16-18	7
27	2M1024P	Bolt, Hex Head 5/16 x 1-1/2	2	41	B-4820	Nut, Nylon Lock, 3/8"-16	11
28	2M1212P	Bolt, Hex Head 3/8 x 3/4	4	42	B-5096Y	Nut, Nylon Lock, 1/2"-13	2
29	2M1220P	Bolt, Hex Head 3/8 x 1-1/4	1	43	B-6298	Bolt, Hex Hd 3/8 x 3-3/4	1
30	2M1232P	Bolt, Hex Head 3/8 x 2	3	44	B-6299	Nut, Keps Hex, 3/8-16	3
31	2M1620P	Bolt, Hex Head 1/2 x 1-1/4	2	45	D-146P	Hairpin Cotter, 1/8", #211	5
32	2M1632P	Bolt, Hex Head 1/2 x 2	1	46	B-7291	Bolt, 3/8 x 2-1/2	1
33	45M0909P	Washer, SAE Flat, 1/4"	4				
34	45M1313P	Washer, SAE Flat-3/8	6				

* Not shown

Each spread of the assembly has a guide to help with hardware identification.

THIS SECTION CAN BE USED TO IDENTIFY BOLTS:

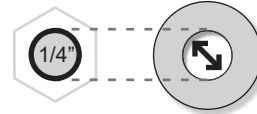
Check the bolt size by placing the head or the threaded end over the matching diagrams to the left.



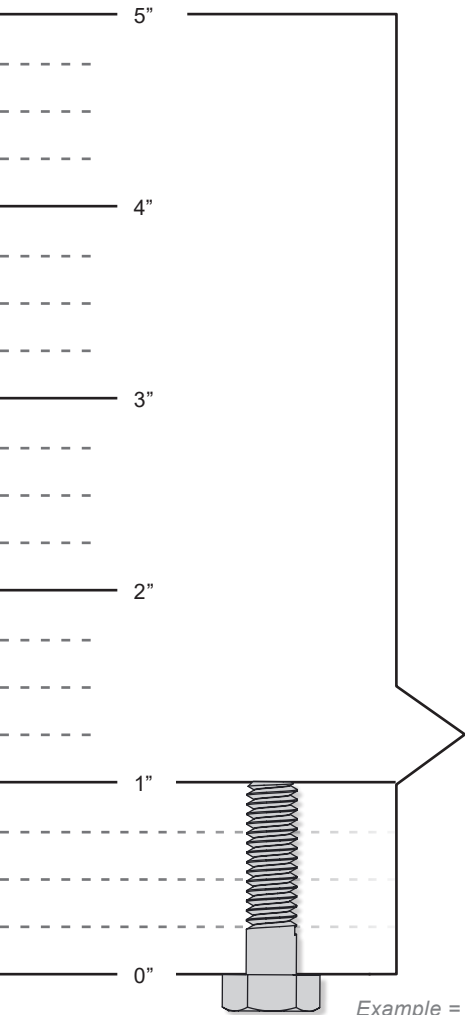
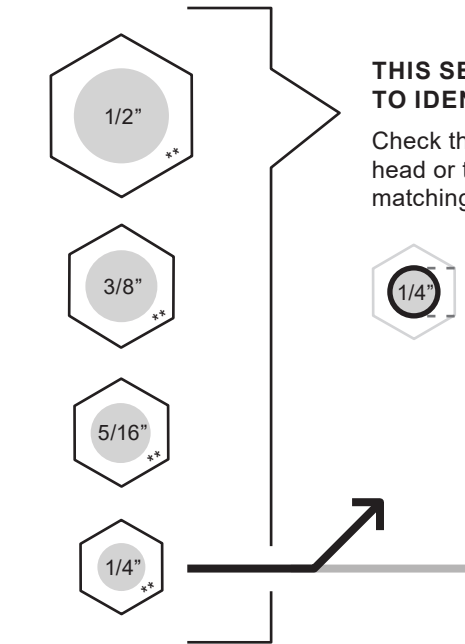
Example =
Hex Head Bolt
1/4" x 1"

THIS SECTION CAN ALSO ASSIST WITH IDENTIFYING WASHERS:

Exterior circumference of washers can vary. *These dimensions are a measurement of the internal diameter of the washer.*



Example =
1/4" Washer




THIS SECTION CAN BE USED TO IDENTIFY BOLTS:

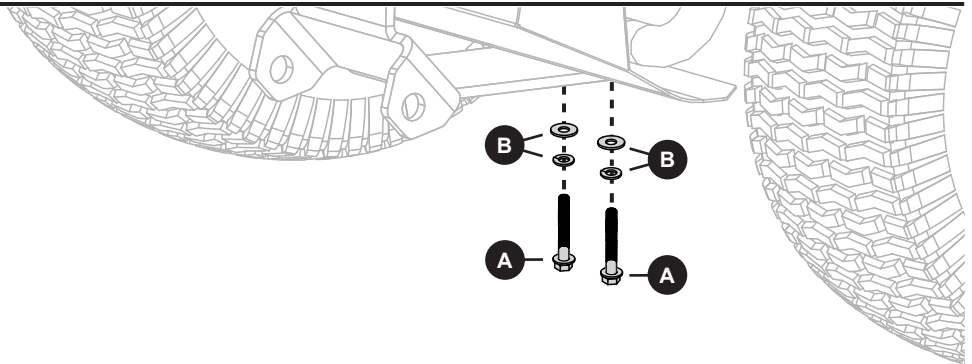
Check the bolt length by measuring the length of each bolt with this ruler.

Example =
Hex Head Bolt
1/4" x 1"

ASSEMBLY

For the first step, you'll need to remove hardware from the front of your mower.

 12mm Wrench




Assembly Step 1

Unscrew the two skid plate bolts (A) and two sets of washers (B).

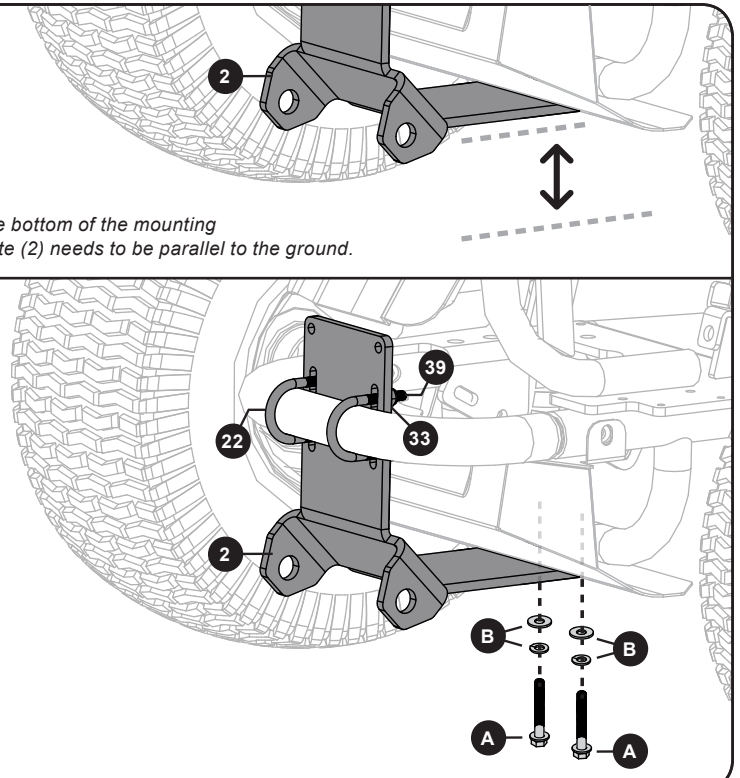
1. Loosely start to attach the mounting plate (2) to your mower by reusing the removed hardware (A & B) as well as U-bolts found in the hardware bag:

- x2 U-Bolts (22)
- x4 Washers (33) – 1/4"
- x4 Nylon Lock Nuts (39) – 1/4"

 7/16" Wrench

2. Align the bottom of the mounting plate (2) parallel to the ground and make sure the front of the mounting plate is touching the inside edge of the bumper tubing. *Tighten all hardware.*


The bottom of the mounting plate (2) needs to be parallel to the ground.

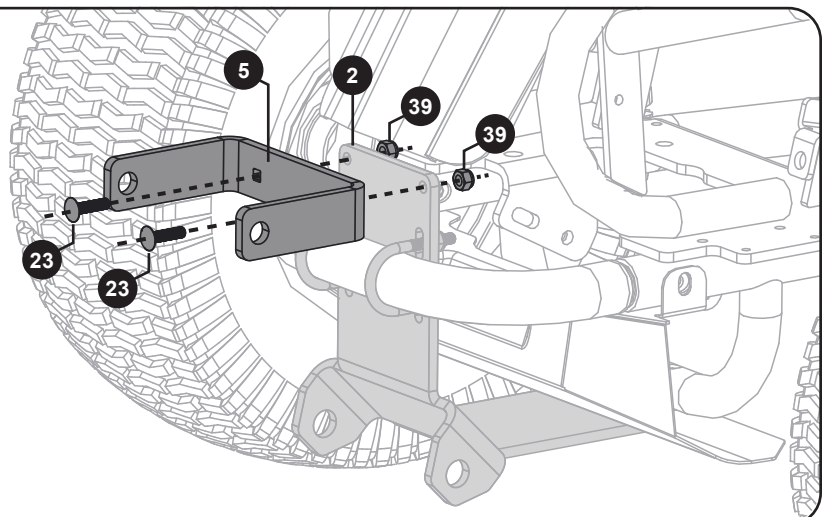


Assembly Step 2

3. Attach pivot bracket (5) to the mount plate (2) using:

- x2 Carriage Bolts (23) – 1/4" x 1"
- x2 Nylon Lock Nuts (39) – 1/4"

 7/16" Wrench



ASSEMBLY

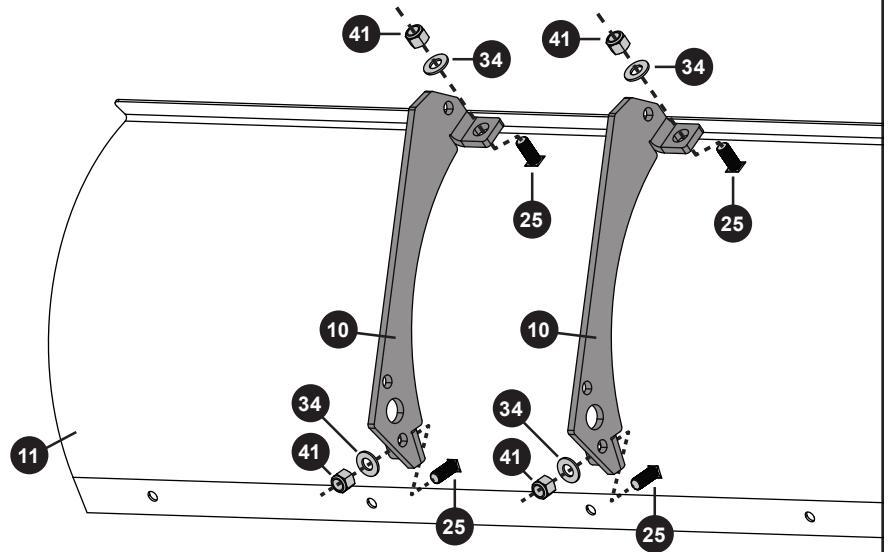
Assembly Step 3

Blade Assembly

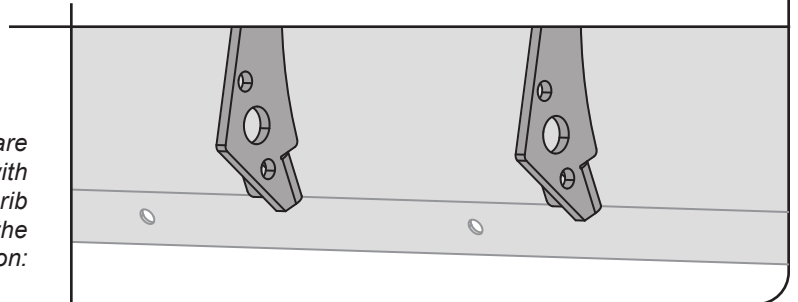
1. Attach ribs (10) to the blade (11) using:
 - x4 Carriage Bolts (25) – 3/8" x 1"
 - x4 Washers (34) – 3/8"
 - x4 Nylon Lock Nuts (41) – 3/8"

Note: Do not fully tighten (yet), these ribs may need to shift slightly during Assembly Step 11.

 9/16" Wrench




Note: Ensure the ribs (10) are aligned correctly. The ends with three small cutouts on the rib need to be at the base of the blade. See illustration:

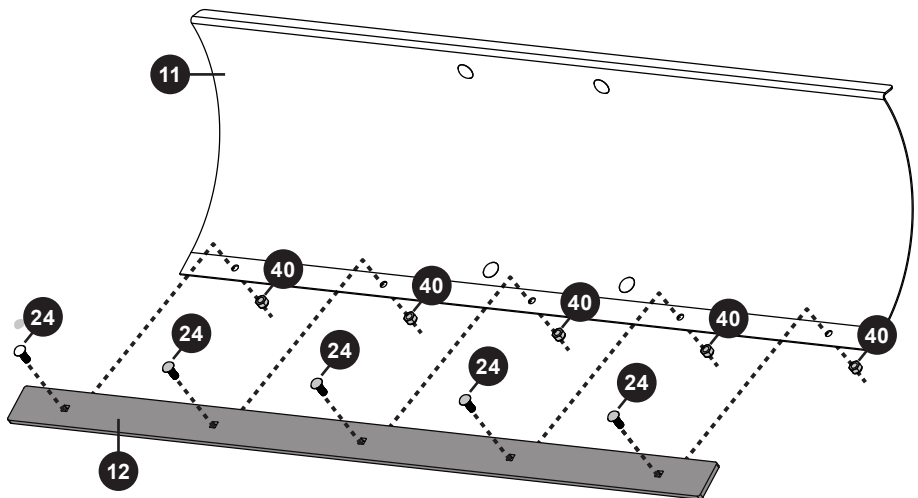


Assembly Step 4

Blade Assembly

2. Attach wear bar (12) to bottom of blade (11) using:
 - x5 Carriage Bolts (24) – 5/16" x 3/4"
 - x5 Nylon Lock Nuts (40) – 5/16"

 1/2" Wrench




ASSEMBLY

Assembly Step 5

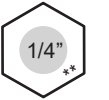
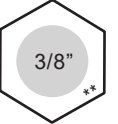
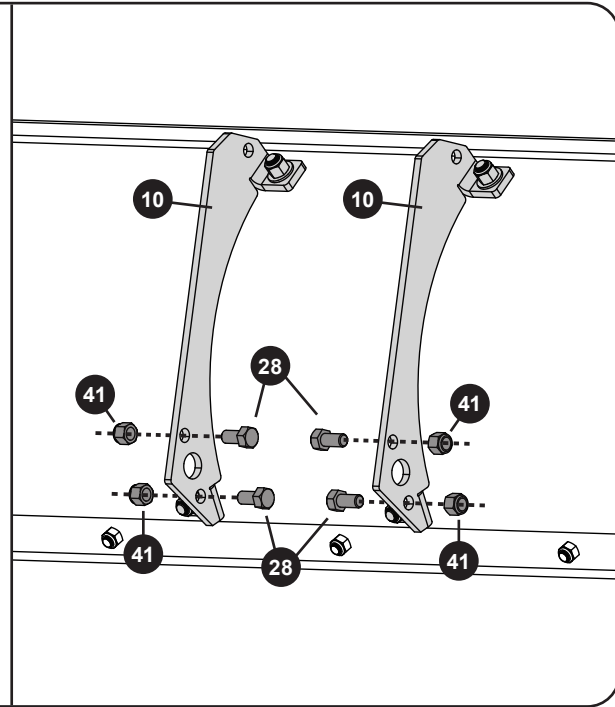
Blade Assembly

- Install bolt and nut stops to the blade ribs (10) using:
 - x4 Hex Head Bolts (28) – 3/8" x 3/4"
 - x4 Nylon Lock Nuts (41) * – 3/8"

**Note: Nuts need to be on the outside edges of the blade ribs.*

 9/16" Wrench & Socket

- Set blade aside.



5" _____

4" _____

3" _____

2" _____


1" _____

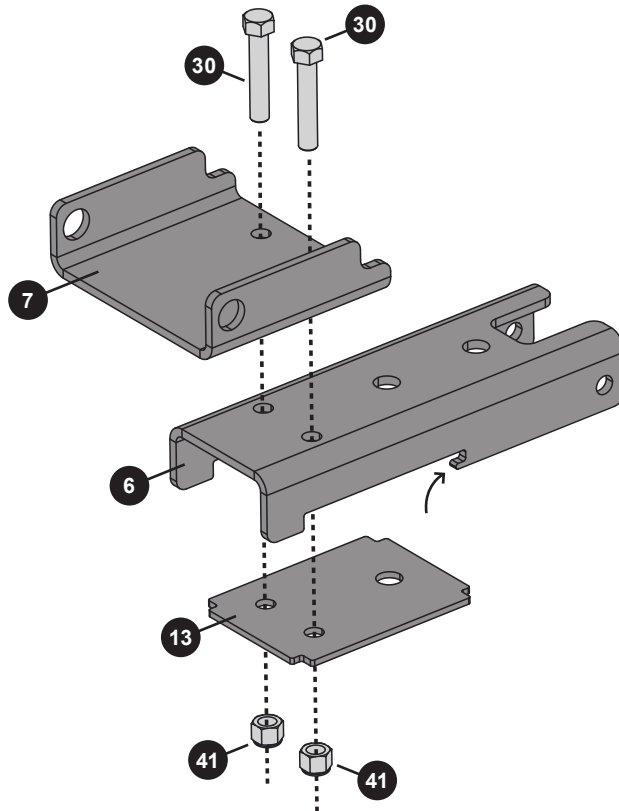
0" _____


Assembly Step 6

Push Arm Assembly

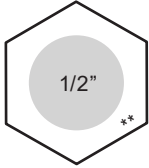
- Attach upper push bracket (7) to lower push bracket (6) and bottom plate (13) using:
 - x2 Hex Head Bolts (30) – 3/8" x 2"
 - x2 Nylon Lock Nuts (41) – 3/8"

 9/16" Wrench & Socket



 ****Exterior circumference of washers can vary. These dimensions are a measurement of the internal diameter of the washer.**

ASSEMBLY



Assembly Step 7


Push Arm Assembly

2. Attach pivot weldment (8) to the push arm assembly using:

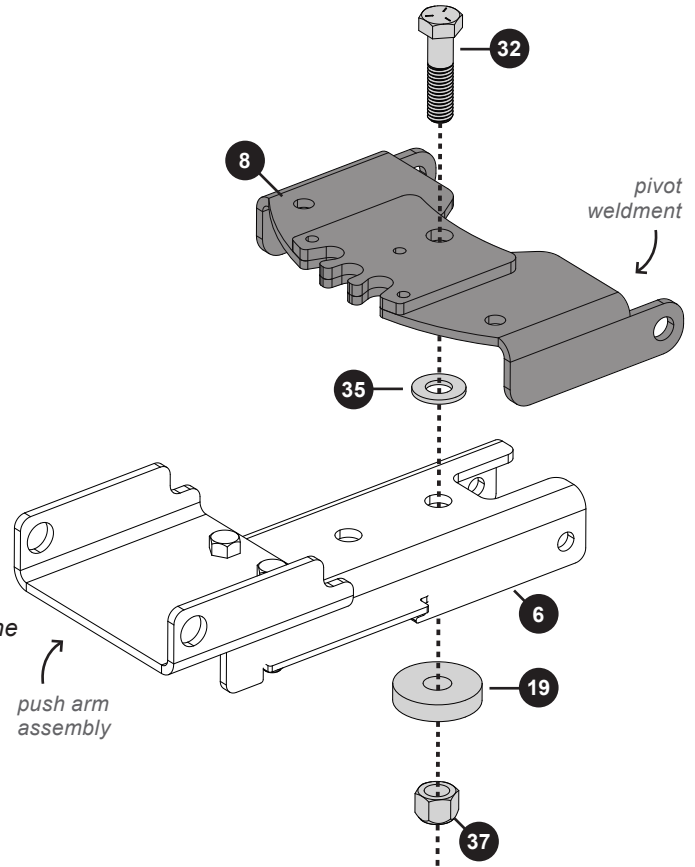
- x1 Hex Head Bolt (32) – 1/2" x 2"
- x1 Washer, Flat (35) – 1/2"
- x1 Washer, Thick (19)
- x1 Lock Nut, Hex* (37) – 1/2"

NOTE: Do not over tighten, the two brackets should be able to move freely of one each other, but not so loose that there is play in the joint.

NOTE: Pivot weldment (8) flanges should point in the same direction as the lower push bracket (6).

 3/4" Wrench & Socket

**Not the Nylon Lock Nut (42).*



Assembly Step 8-A


Adding the Handle

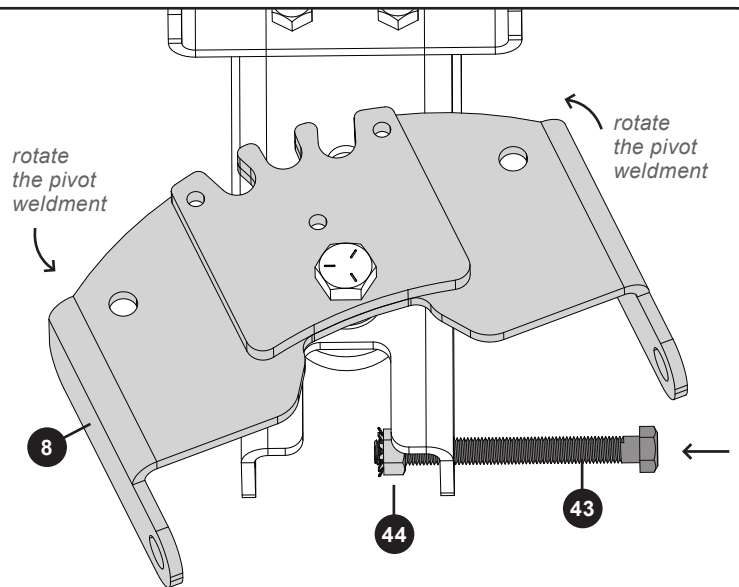
1. Rotate the pivot weldment (8)

2. Start to run hex head bolt, 3/8" x 3 3/4" full thread (43) through the first hole of the push arm assembly & add:

- x1 Hex Nut (44) – 3/8"

External-teeth need to be facing away from the head of the bolt.

 9/16" Wrench & Socket




****Exterior circumference of washers can vary. These dimensions are a measurement of the internal diameter of the washer.**

ASSEMBLY

Assembly Step 8-B

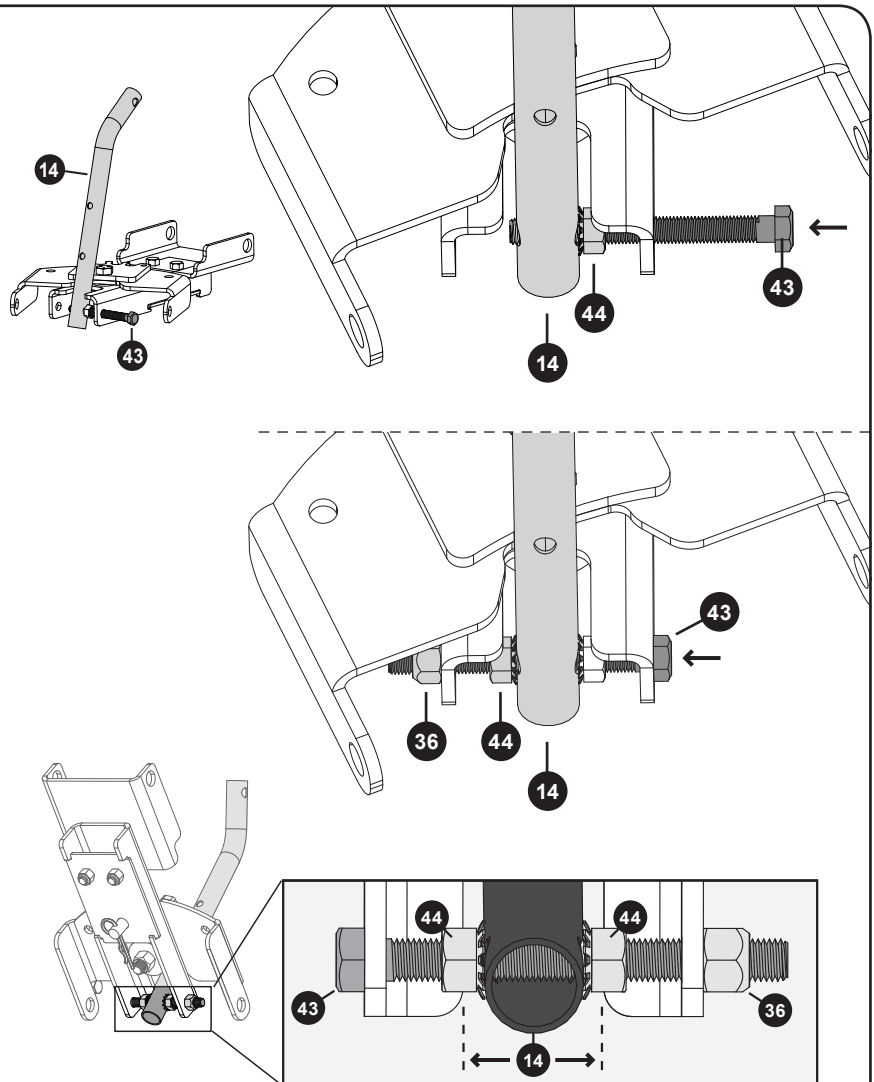
Adding the Handle

- Align the lower handle tube (14) as illustrated here and continue to run the hex head bolt (43) through the base of the tube.
- After the bolt (43) extends through the tube, add:
 - x1 Hex Nut (44) – 3/8"
External-teeth facing the lower handle tube (14).
- Continue running the bolt (43) through the push arm assembly. Secure in place using:
 - x1 Lock Nut, Hex* (36) – 3/8"

 9/16" Wrench & Socket

- Use the two Hex Nuts (44) to the center and secure in place the lower handle tube (14) within the opening of the push arm assembly.
(See detail to the right).

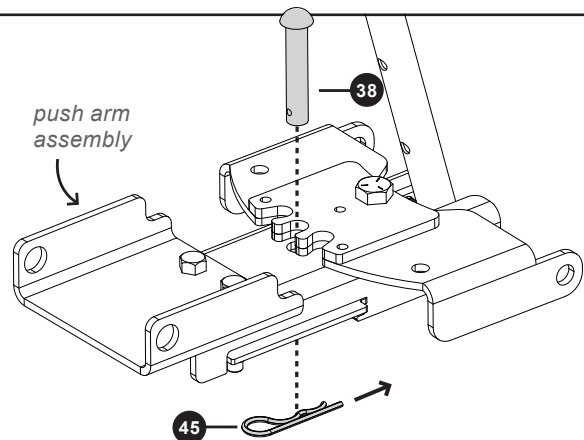
**Not the Nylon Lock Nut (41).*



Assembly Step 9

Adding the Handle

- Drop hitch pin (38) into the center hole of the push arm assembly and secure with a hairpin (45).

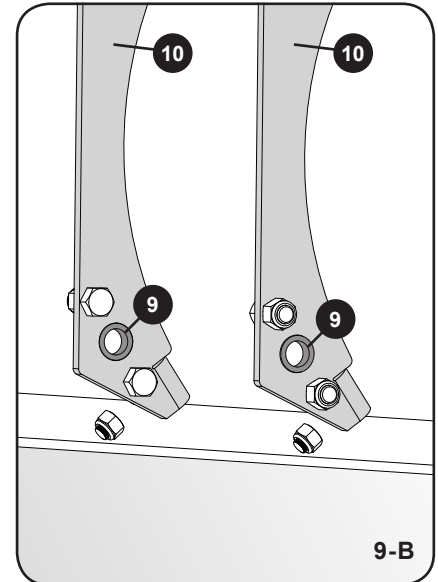
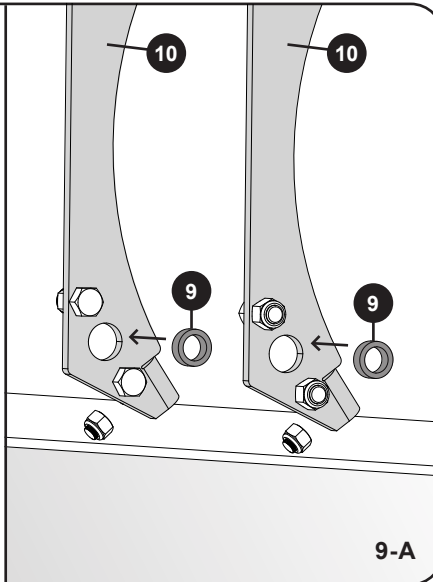


ASSEMBLY

Assembly Step 10

Joining the Push Arm to the Blade


1. Insert spacer / pivot tube (9) into the large holes on the lower part of the ribs (10) on the back of the blade.



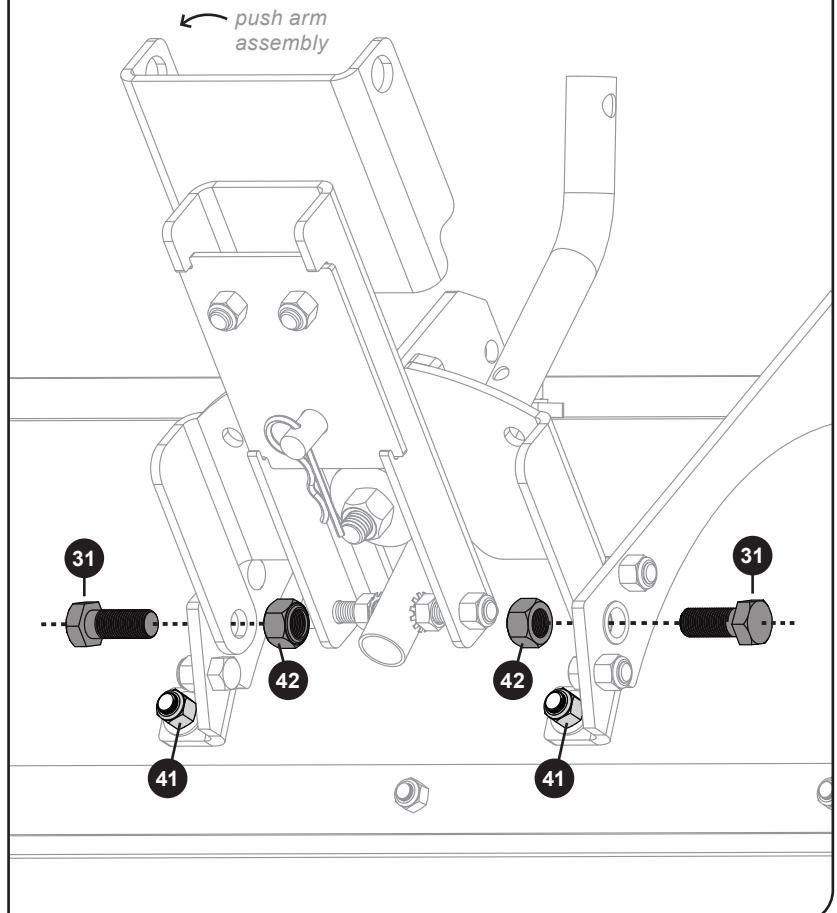
Assembly Step 11

Joining the Push Arm to the Blade

2. Slide push arm assembly between ribs and align with the pivot tubes that were inserted on Step 9. Attach using:
 - x2 Hex Head Bolts (31) – 1/2" x 1 1/4"
 - x2 Nylon Lock Nuts (42) – 1/2"

 3/4" Wrench & Socket

3. Tighten the ribs to the blade completely. (41).





ASSEMBLY

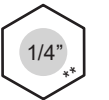
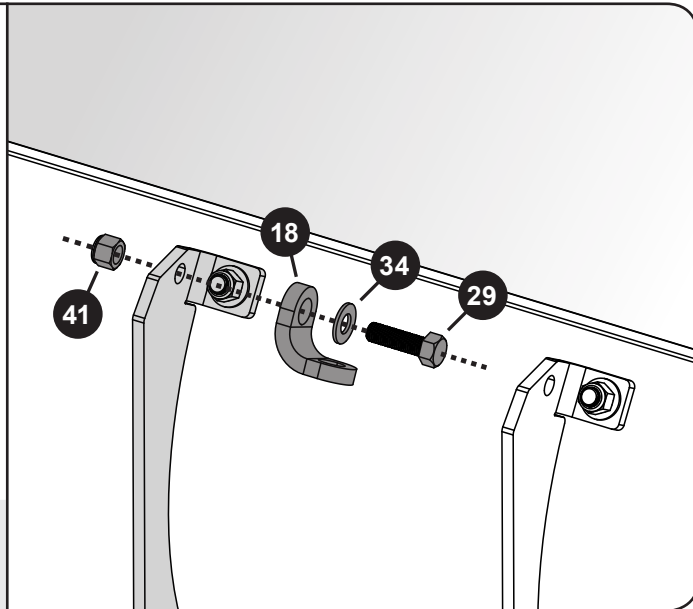
Assembly Step 12

Joining the Push Arm to the Blade

4. Attach spring trip bracket (18) using:
 - x1 Hex Head Bolt (29) – 3/8" x 1 1/4"
 - x1 Washer, Flat (34) – 3/8"
 - x1 Nylon Lock Nut (41) – 3/8"

 9/16" Wrench & Socket

 **DO NOT** tighten completely (yet).

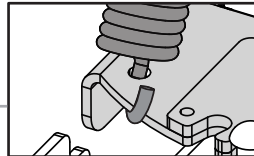


Assembly Step 13

Joining the Push Arm to the Blade

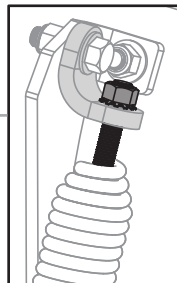
5. Mount trip spring by treading 3/8" x 2 1/2" full threaded bolt (46) and 3/8" washer (34) so that the head of the bolt is captured inside of spring (15).


6. Hook the opposite end of the spring (15) through the pivot weldment (8).



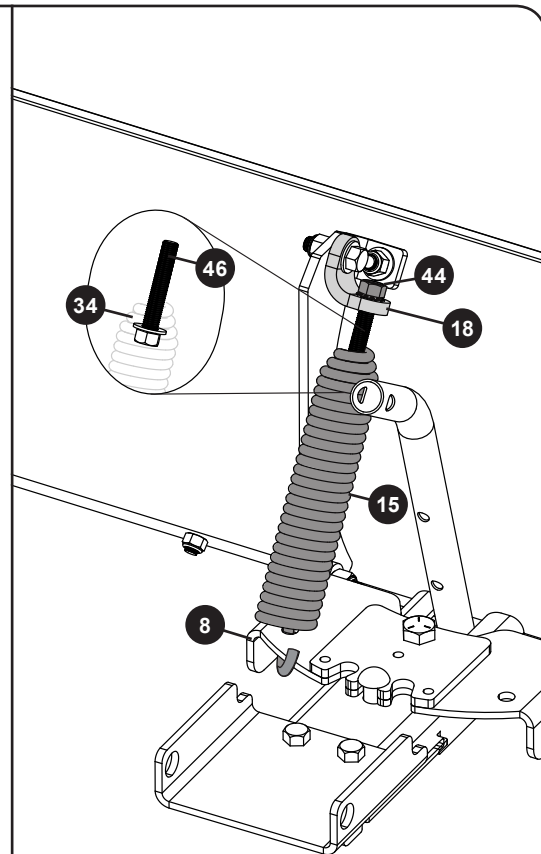
7. Insert the bolt through the trip bracket (18) that was installed on Assembly Step 12.

Tread and tighten the 3/8" toothed nut (44) until the spring is touching the bracket.



 9/16" Wrench & Socket

8. Tighten the nut and bolt that were added on Assembly Step 12.



5"

4"

3"

2"

1"

0"




**Exterior circumference of washers can vary. These dimensions are a measurement of the internal diameter of the washer.

ASSEMBLY


Assembly Step 14

1. Attach the upper handle tube (16) to the lower handle tube (14) using:
 - x2 Bolts (27) – 5/16" x 1 1/2"
 - x2 Nylon Lock Nuts (40) – 5/16"

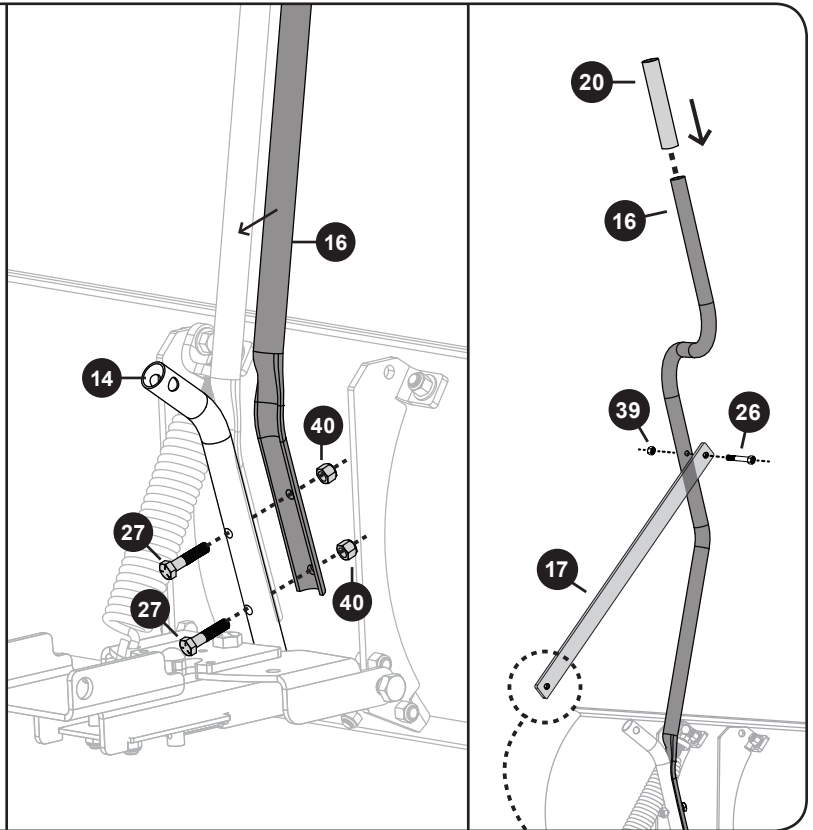
 1/2" Wrench & Socket

2. Slide grip (20) over the end of the upper handle tube (16).
As illustrated, loosely attach* the slotted end of the reinforcement bracket (17) to the upper handle tube (16) using:

x1 Bolt (26) – 1/4" x 1 3/4"
+ x1 Nylon Lock Nut (39) – 1/4"

 7/16" Wrench & Socket

*This bolt (26) will be secured on step 15.




Assembly Step 15

From Step 14, rotate the base of the reinforcement bracket (17) to align with the lower handle tube (14).

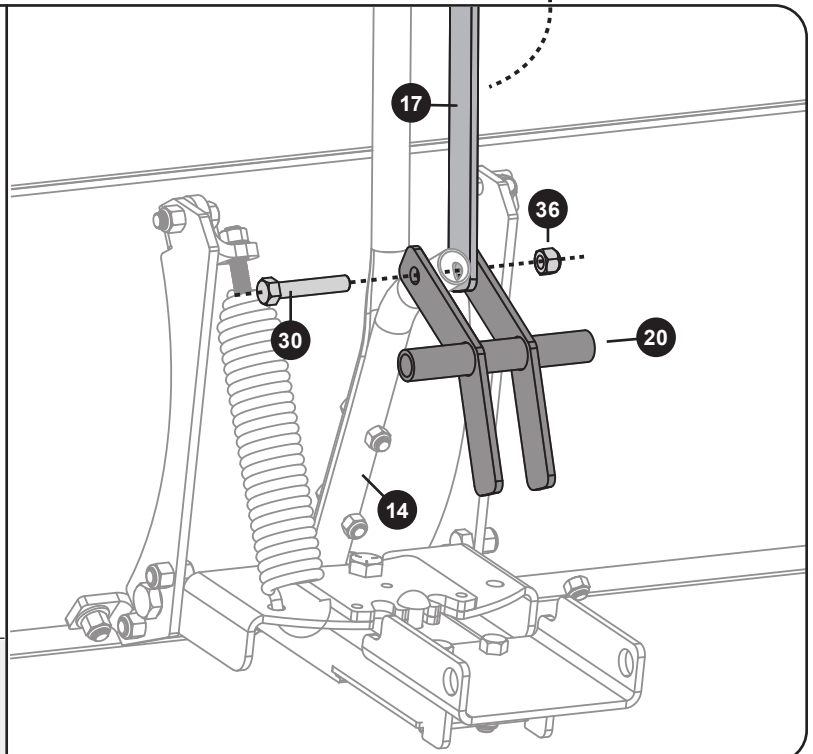
Straddle these two parts with the pivot weldment (20) as illustrated. Attach using:

x1 Bolt (30) – 3/8" x 2"
+ x1 Lock Nut (36) – 3/8"

NOTE: DO NOT TIGHTEN BOLT (30) FULLY. This part needs to pivot.

 9/16" Wrench & Socket

Fully secure Bolt 26 from Step 14.

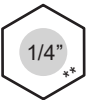
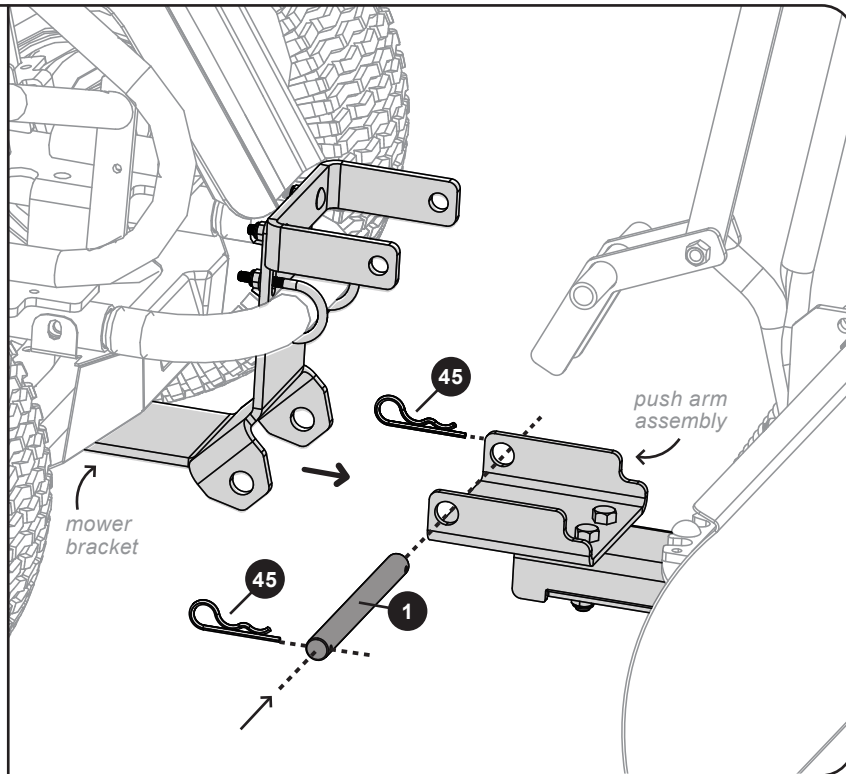


ASSEMBLY

Assembly Step 16

Mounting the Blade

1. Face the back of the blade assembly toward the bracket that you added to your mower in Assembly Steps 1-2.
2. The push assembly will easily slide within the lower tabs extending from the mower bracket.
3. After aligning the two sets of bracket holes, insert the plated hinge rod / pin (1) and secure with two hairpin cotters (45), one on each end.



5" ———

4" ———

3" ———

2" ———

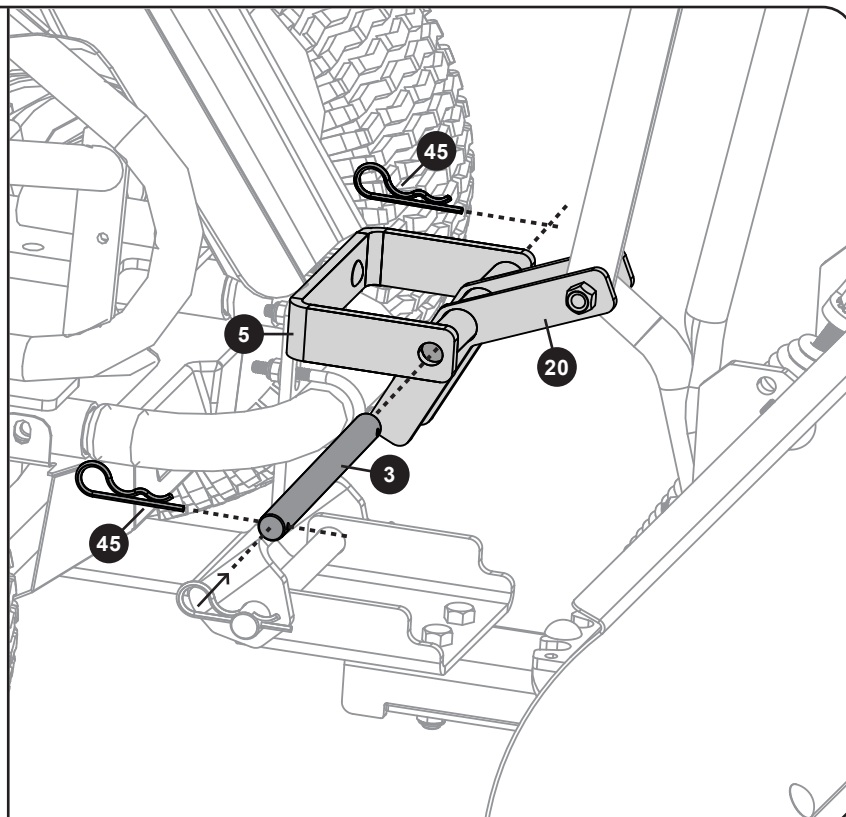
1" ———

0" ———

Assembly Step 17

Mounting the Blade

4. Line up pivot weldment (20) with the pivot bracket (5) and insert pin (3).
5. Secure with two hairpin cotters (45).



**Exterior circumference of washers can vary. These dimensions are a measurement of the internal diameter of the washer.

OPERATION

CAUTION: Keep feet and hands clear of blade while raising and lowering the blade. Pay close attention to your surrounding and people in your immediate area at all times.

Operation Step 1

Transport Position

1. To raise your blade into transport position, pull the upper handle toward operator.
Note: Ensure the handle has been pulled back far enough to engage the self-locking feature.

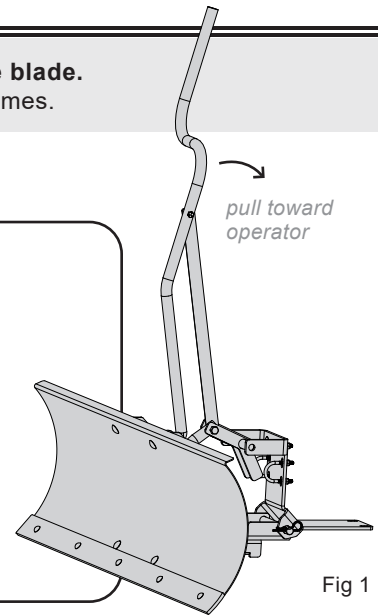


Fig 1

Operation Step 2

Changing the Blade Angle

1. Turn key switch off & engage parking brake, then lower the blade to the ground.
2. Simply remove the hair pin beneath the push assembly arm (see fig 2.1) and pull hitch pit out (fig 2.2).
3. Rotate blade to desired location (fig 2.3).
4. Replace the hitch pin and secure hair pin underneath in order to lock the blade in position.

Fig 2.1

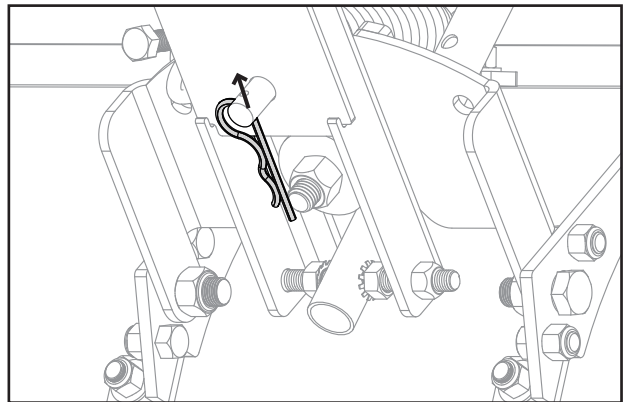


Fig 2.2

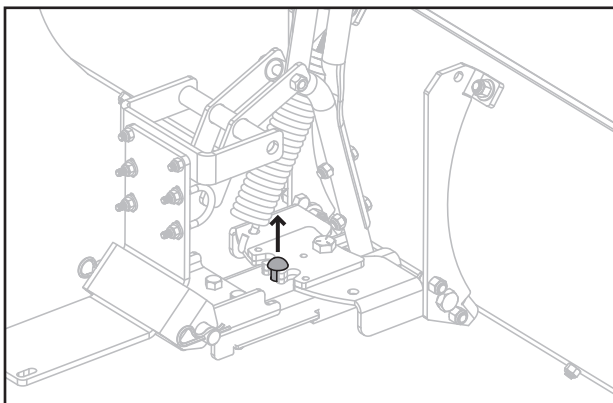
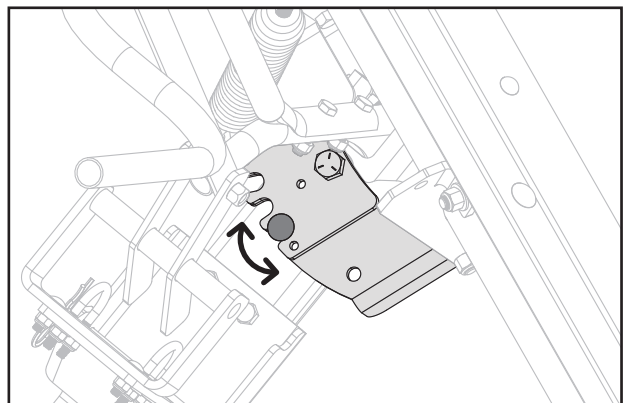


Fig 2.3



NOTE: Do not adjust angle of blade while in transport position.

OPERATION



CAUTION: Keep feet and hands clear of blade while raising and lowering the blade.
Pay close attention to your surrounding and people in your immediate area at all times.

CAUTION



1. INSPECT THE AREA

Before operating the snow blade, inspect the area to be worked carefully. Avoid curbs and other heavy obstructions.

2. KNOW THE TERRAIN

Avoid exceptionally sharp slopes or drop offs which may be hidden by the snow, never run the snow blade into heavy material at high speed.

3. LOWER THE BLADE

Always lower blade to ground before leaving mower

4. START SLOW

Always begin at low speeds and *gradually increase* as required. **Do not exceed 5 mph.**
Do not attempt to move snow all in the same direction, causing an excessive buildup, which would become larger with each pass.

5. RAISE THE BLADE

Raise blade when moving in reverse

6. SNOW REMOVAL

The blade is intended for snow removal only

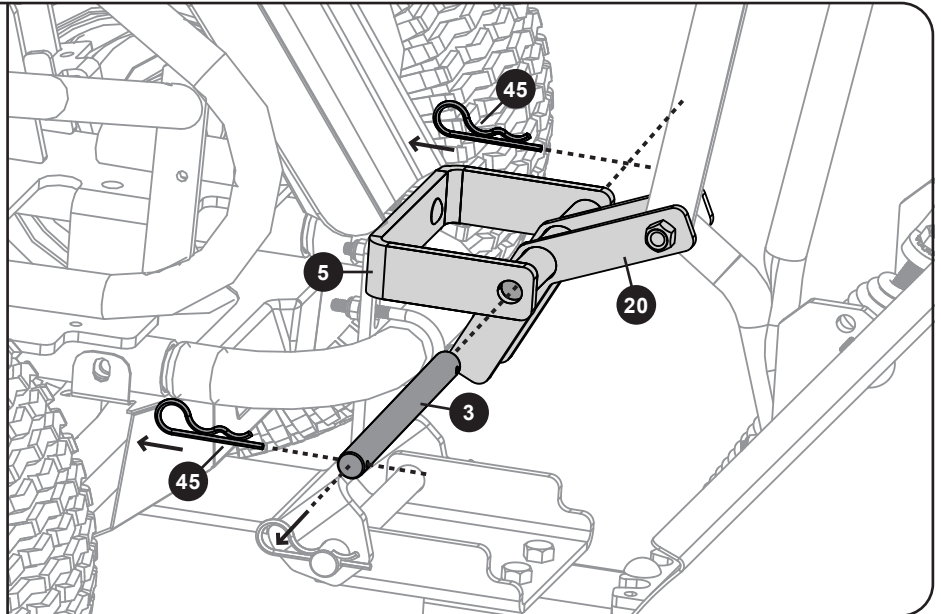
STORAGE

⚠ CAUTION: Keep feet and hands clear of blade while raising and lowering the blade.
Pay close attention to your surrounding and people in your immediate area at all times.

Storage Step 1

Removing Blade

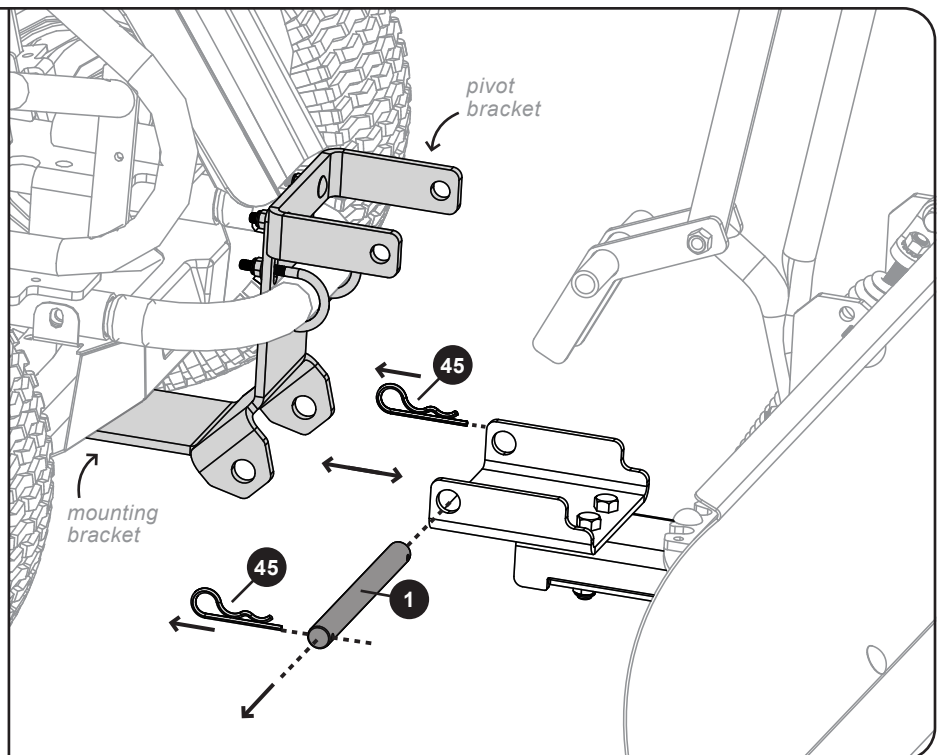
1. Turn key switch off and engage the parking brake, then lower the blade to the ground.
2. Remove the two hairpin cotters (45).
3. Remove the pin (3) from the pivot weldment (20) and pivot bracket (5).



Storage Step 2

Removing Blade

4. Set aside the two hairpin cotters (45) from each end and remove the plated hinge rod / pin (1).
5. The push arm assembly and mounting bracket will easily separate.
6. Leave the mounting and pivot brackets attached to the mower.



MAINTENANCE



CAUTION: Keep feet and hands clear of blade while raising and lowering the blade.
Pay close attention to your surrounding and people in your immediate area at all times.

1. **CLEAN AND DRY**

The key to years of trouble-free service is to keep you plow clean and dry

2. **MOVING PARTS**

After the first 30 minutes of use, check all of the fasteners for tightness. Thereafter, periodically check all fasteners for tightness.

3. **MOVEMENT**

Check all moving parts for free movement and if necessary, lubricate with oil.

4. **BUILD-UP**

Periodically remove debris build up

5. **RUST**

For rust appearing on painted surfaces, sand lightly and paint affected area with enamel.

6. **ROTATION**

After the wear bar has worn considerably, it should be rotated (from bottom to top) to provide a "new" edge. Remove the five carriage bolts (5/16"), rotate the blade, and then reassemble the unit with the "new" edge on the surface.



MANUFACTURER'S LIMITED WARRANTY FOR BRINLY ACCESSORIES

The limited warranty set forth below is given by Brinly-Hardy Company with respect to new merchandise purchased and used in the United States, its possessions and territories.

Brinly-Hardy Company warrants the products listed below against defects in material and workmanship, and will at its option, repair or replace, free of charge, any part found to be defective in materials or workmanship. This limited warranty shall only apply if this product has been assembled, operated, and maintained in accordance with the Operator's manual furnished with the product, and has not been subject to misuse, abuse, commercial use, neglect, accident, improper maintenance, alteration, vandalism, theft, fire, water, or damage because of other peril or natural disaster.

Normal Wear Parts or components thereof are subject to separate terms as follows: All normal wear parts or component failures will be covered on the product for a period of 90 days.

Parts found to be defective within the warranty period will be replaced at our expense. Our obligation under this warranty is expressly limited to the replacement or repair, at our option, of parts found to be defective in material and workmanship.

HOW TO OBTAIN SERVICE: Warranty parts replacements are available, ONLY WITH PROOF OF PURCHASE, through our Customer Service Department. Call 877-728-8224.

This limited warranty does not provide coverage in the following cases:

- a) Routine maintenance items such as lubricants and filters.
- b) Normal deterioration of the exterior finish due to use or exposure.
- c) Transportation and/or labor charges.
- d) The warranty does not include commercial and/or rental use.

No implied warranty, including any implied warranty of merchantability of fitness for a particular purpose, applies after the applicable period of express written warranty above as to the part as identified below. No other express warranty whether written or oral, except as mentioned above, given by any person or entity, including a dealer or retailer, with respect to any product, shall bind Brinly-Hardy Co. During the period of the warranty, the exclusive remedy is repair or replacement of the product as set forth above.

The provisions as set forth in this warranty provide the sole and exclusive remedy arising from the sale. Brinly-Hardy Co. shall not be liable for incidental or consequential loss or damage including, without limitation, expenses incurred for substitute or replacement lawn care services or for rental expenses to temporarily replace a warranted product.

Some states do not allow the exclusion or limitation of incidental or consequential damages, or limitations on how long an implied warranty lasts, so the above exclusions or limitations may not apply to you.

During the warranty period, the exclusive remedy is replacement of the part. In no event shall recovery of any kind be greater than the amount of the purchase price of the product sold. Alteration of safety features of the product shall void this warranty. You assume the risk and liability for loss, damage, or injury to you and your property and/or to others and their property arising out of the misuse or inability to use this product.

This limited warranty shall not extend to anyone other than the original purchaser or to the person for whom it was purchased as a gift.

HOW STATE LAW RELATES TO THIS WARRANTY: This limited warranty gives you specific legal rights, and you may also have other rights which vary from state to state.

IMPORTANT: The Warranty period stated below begins with the PROOF OF PURCHASE. Without the proof of purchase, the Warranty period begins from the date of manufacture determined by the serial number manufacturing date.

WARRANTY PERIOD:

The warranty period for the product shown in this manual is as follows: Steel Frame Parts: 2 Years. Tires, Wheels and Drive are normal wear parts – 90 days.