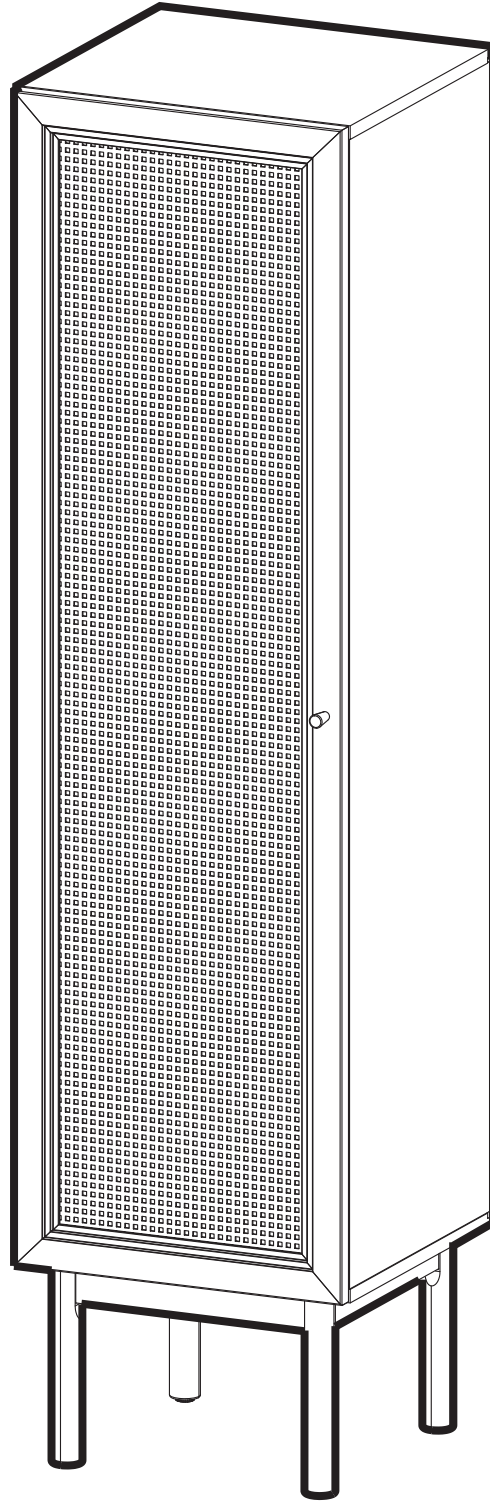


Freestanding Linen Cabinet

INSTALLATION INSTRUCTIONS

Swiss Madison®
well made forever



@SwissMadison
#WellMadeForever





PRIOR TO INSTALLATION:

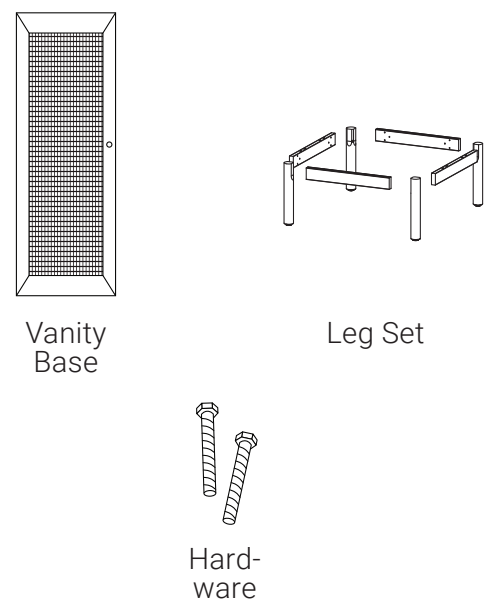
- Inspect product to ensure no damages have occurred while in shipping.
- Observe all plumbing and building codes in accordance with your state and local requirements.
- Floor must be level prior to installation of cabinet.
- All dimensions are nominal! Be sure to measure your cabinet prior to installation.
- The step-by-step guidelines in the installation instructions are a general reference. Should there be any discrepancies, Swiss Madison cannot be held liable. It is recommended to install all Swiss Madison products by hiring a licensed professional.
- Read installation instructions thoroughly before installing. Be sure to use proper tools and always wear proper personal safety accessories for your protection.

If you have any questions or concerns please contact us:
 1-434-623-4766
info@swissmadison.com

SUGGESTED TOOLS & MATERIALS:

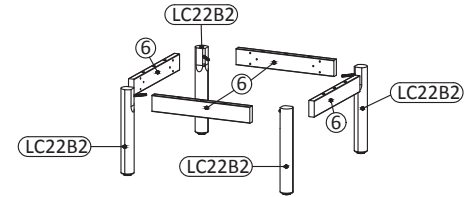
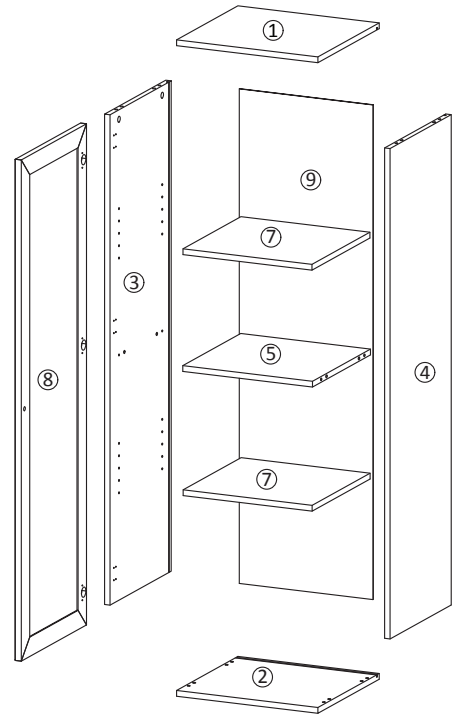
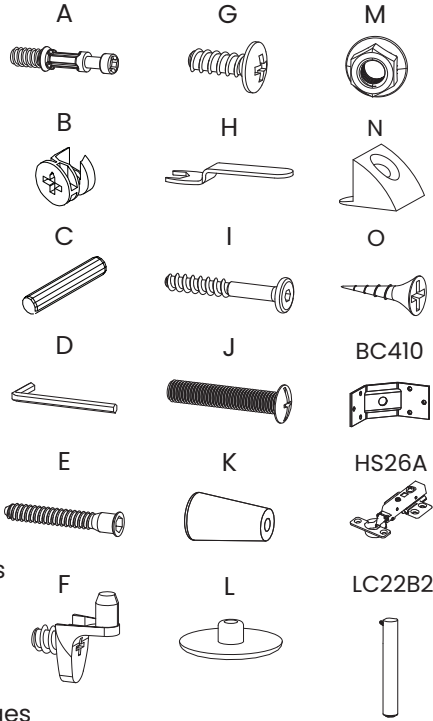


INCLUDED PARTS:

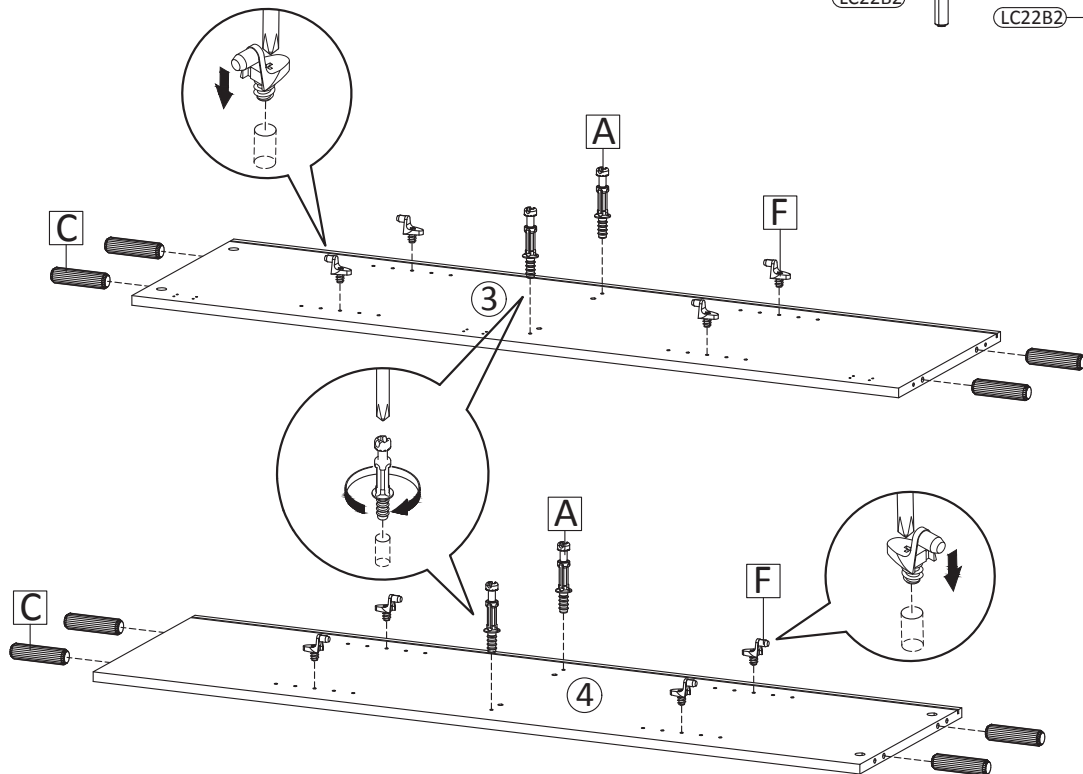


Parts for Reference:

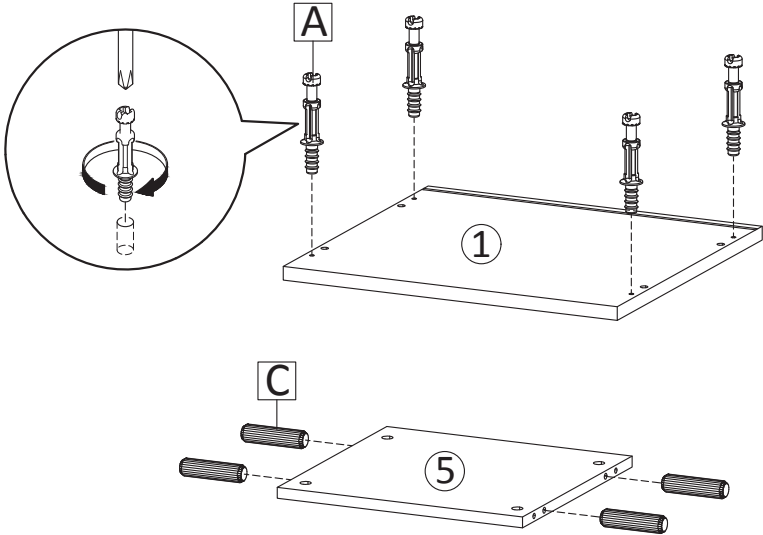
- 1. Top panel
- 2. Base panel
- 3. Left side panel
- 4. Right Side Panel
- 5. Fixed Panel
- 6. leg connecting boards (4)
- 7. Adjustable Panel (2)
- 8. Door
- 9. Rear Panel
- A. Cam bolt
- B. Cam lock
- C. Wooden dowel
- D. Allen key (2)
- E. Screws M 7 x 50 mm
- F. Shelf Support
- G. Screws M 4.5 x 12.5 mm
- H. Wrench
- I. Screws M 6.4 x 53 mm
- J. Screws M 4 x 22 mm for handles
- K. Handles
- L. Screw Cap
- M. Locking nuts
- N. Wedge
- O. Screw M 3.5 x 15.5 mm for wedges
- BC410: Leg frame bracket (4)
- HS26A: Hinge (3)
- LC22B2: Leg (4)



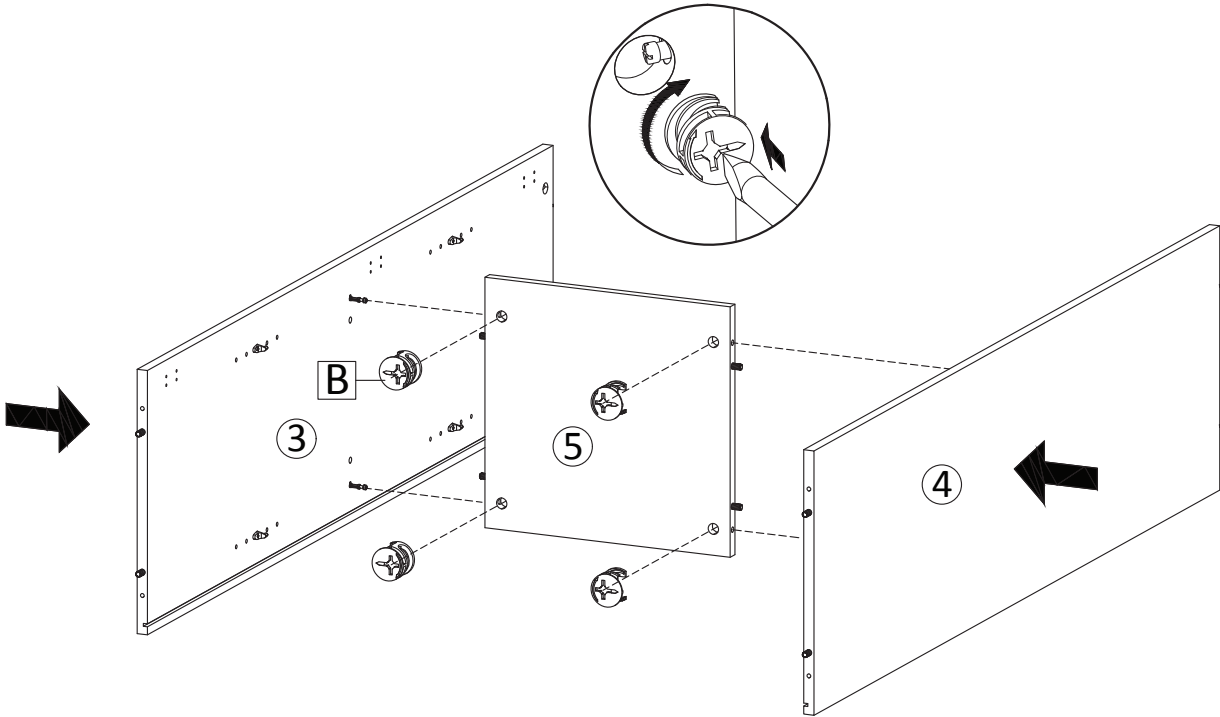
1.



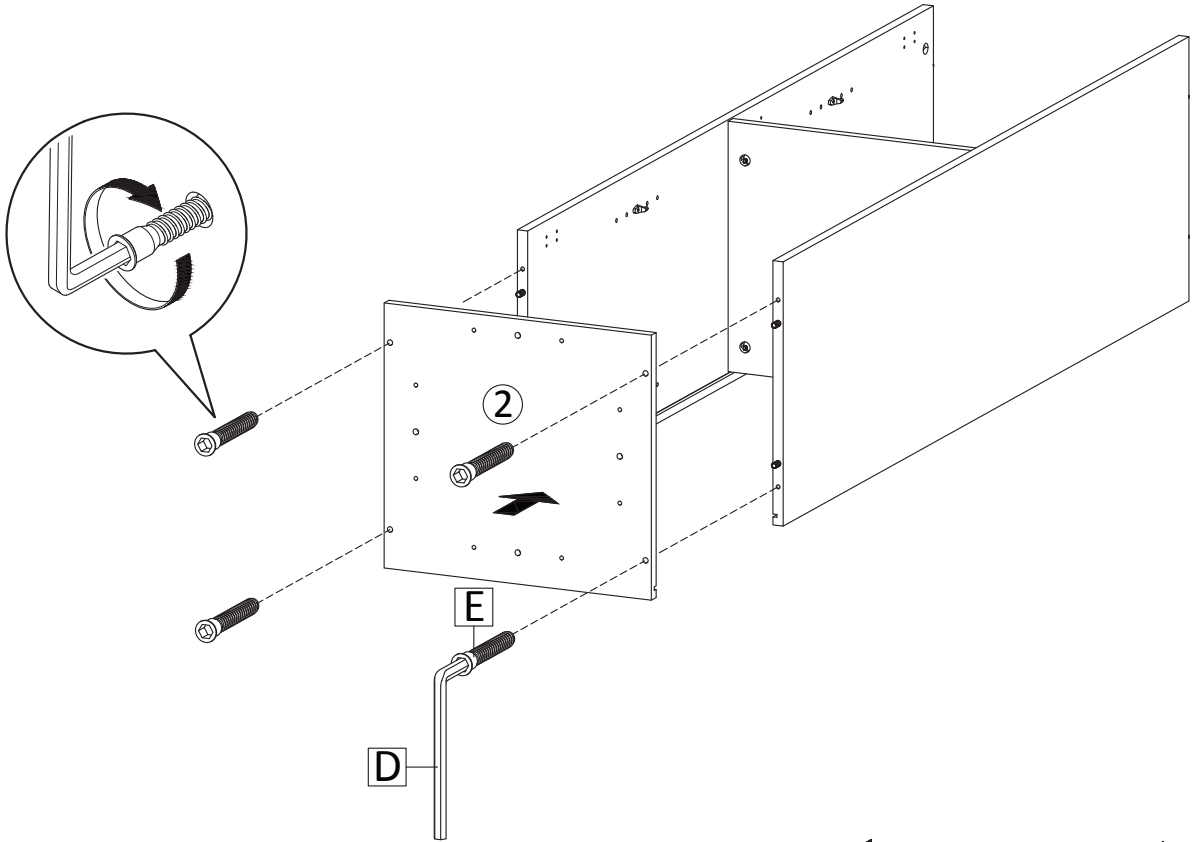
2.



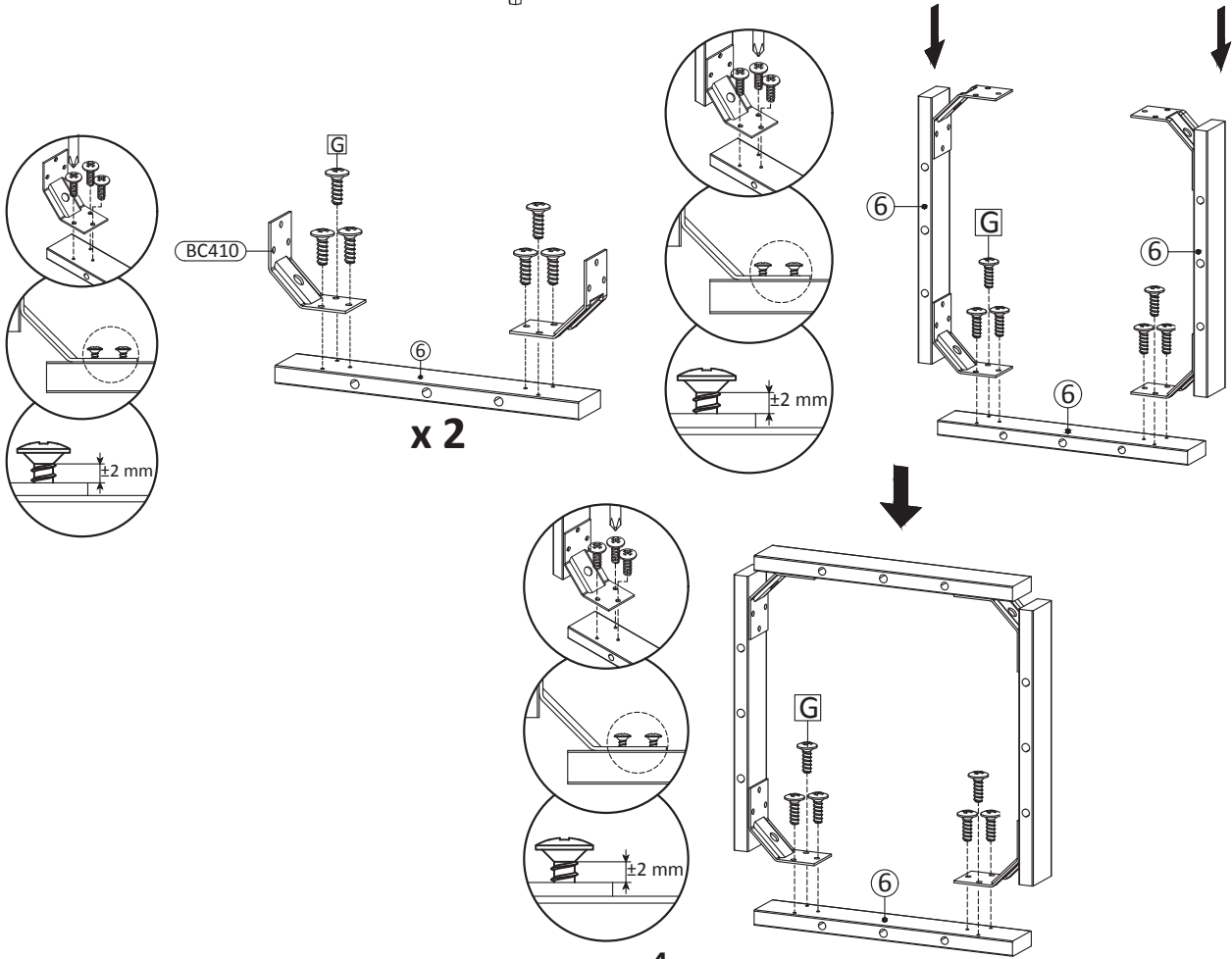
3.



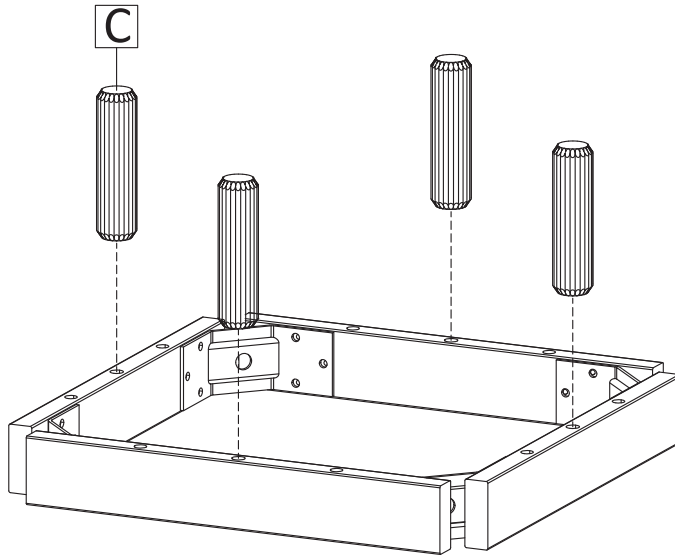
4.



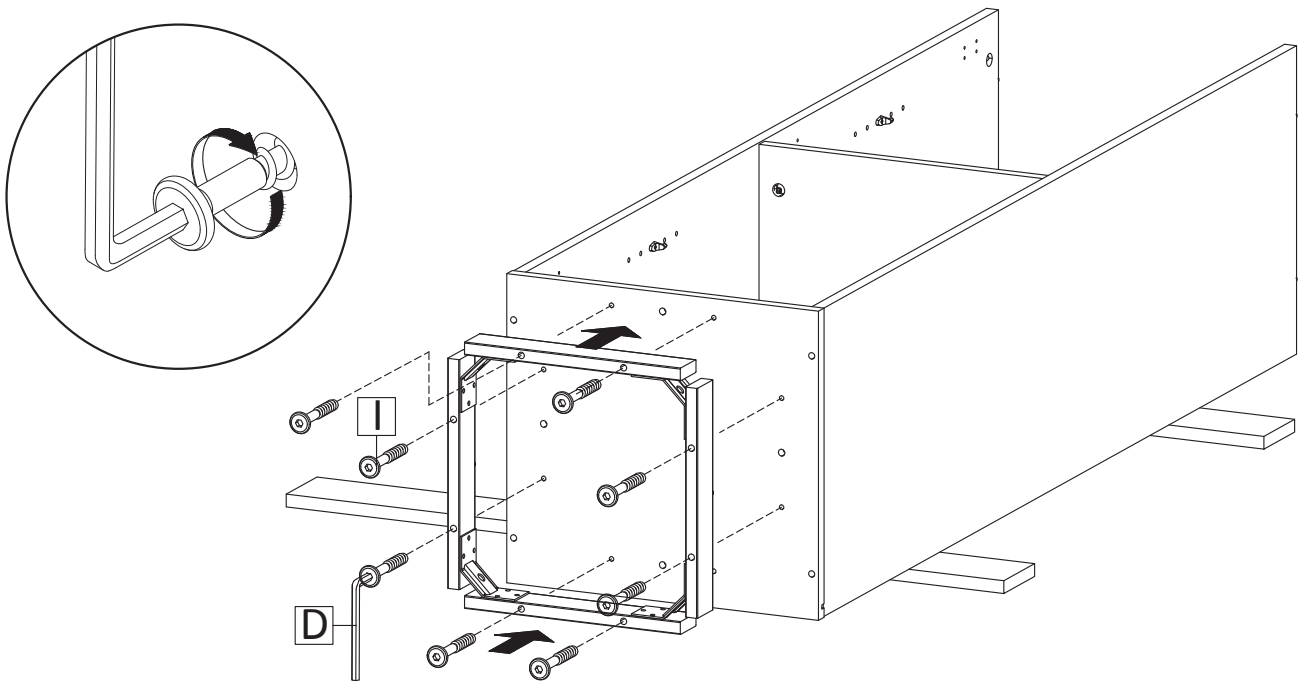
5.



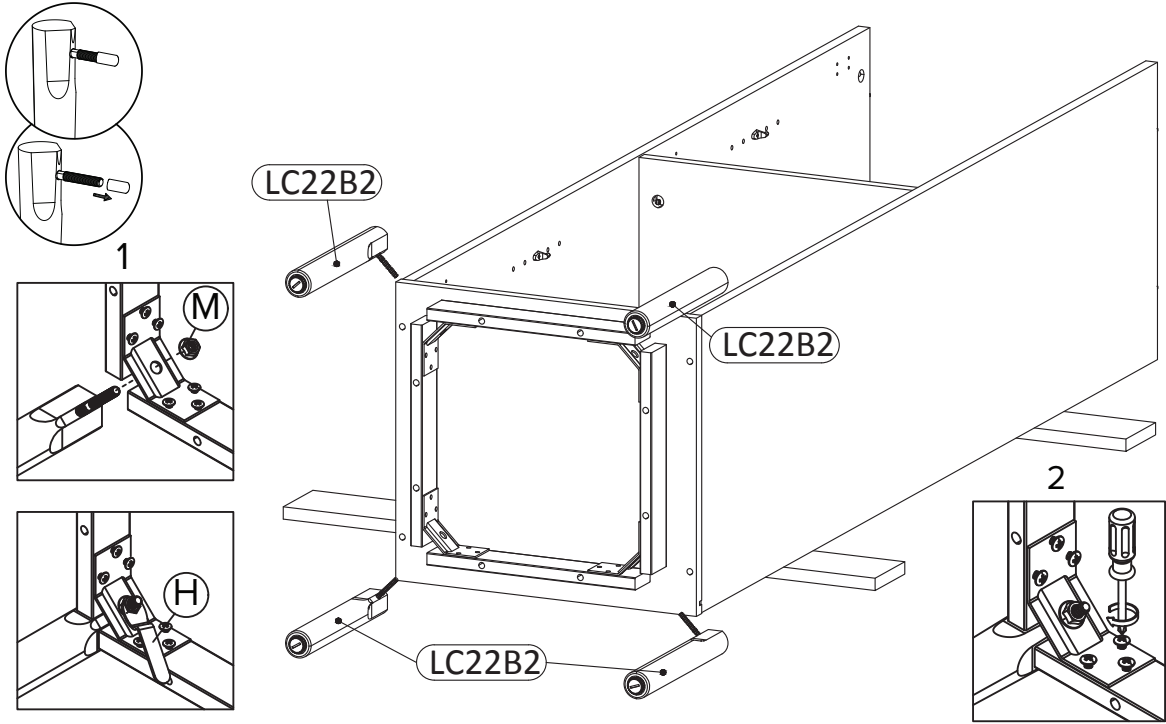
6.



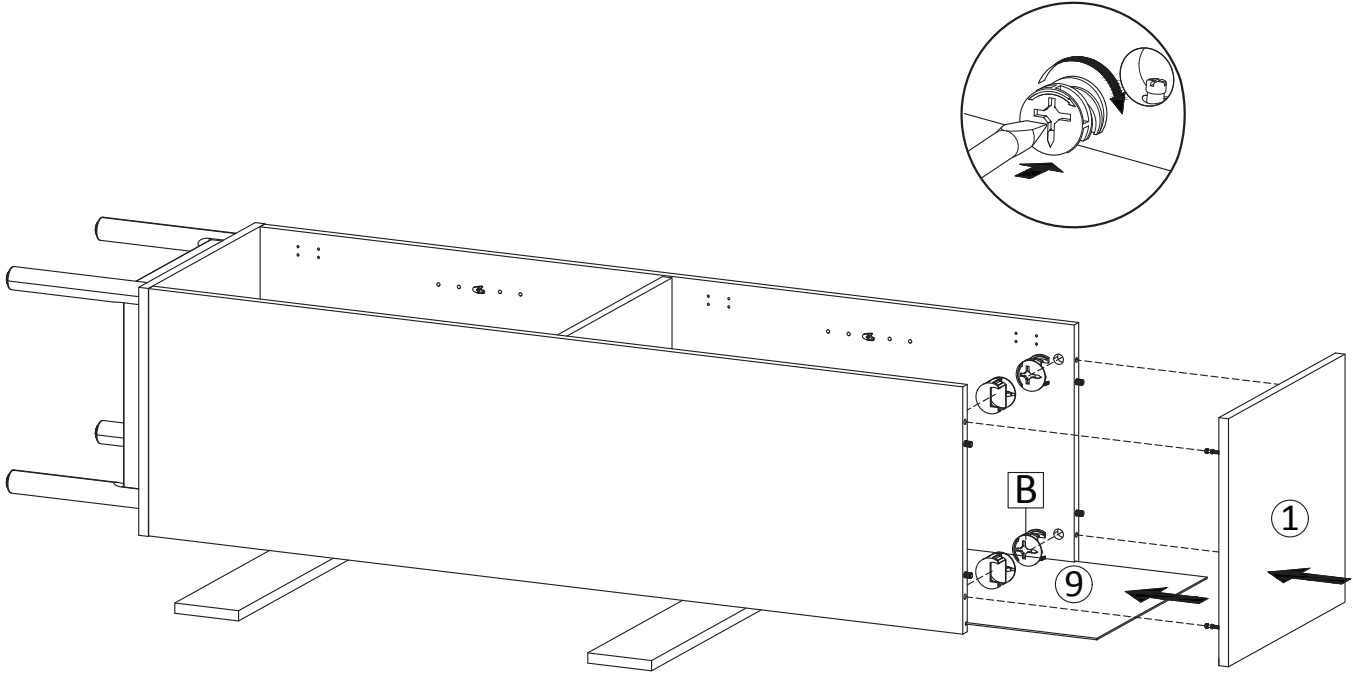
7.



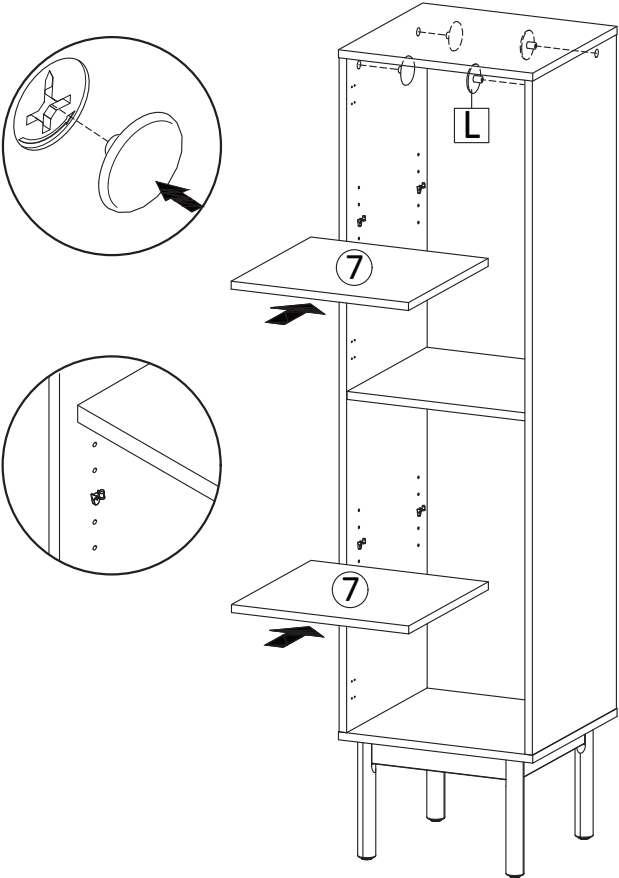
8.



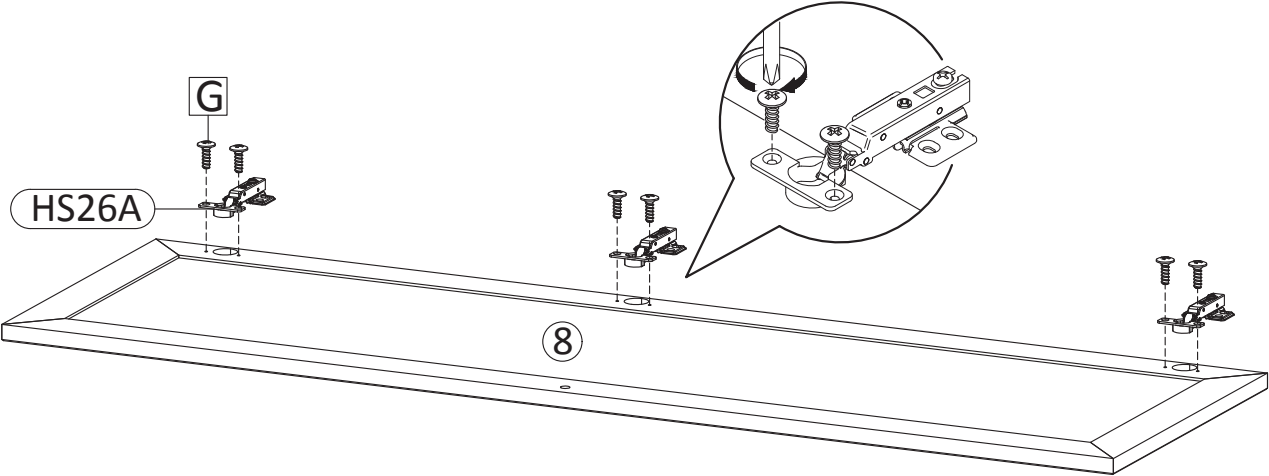
9.



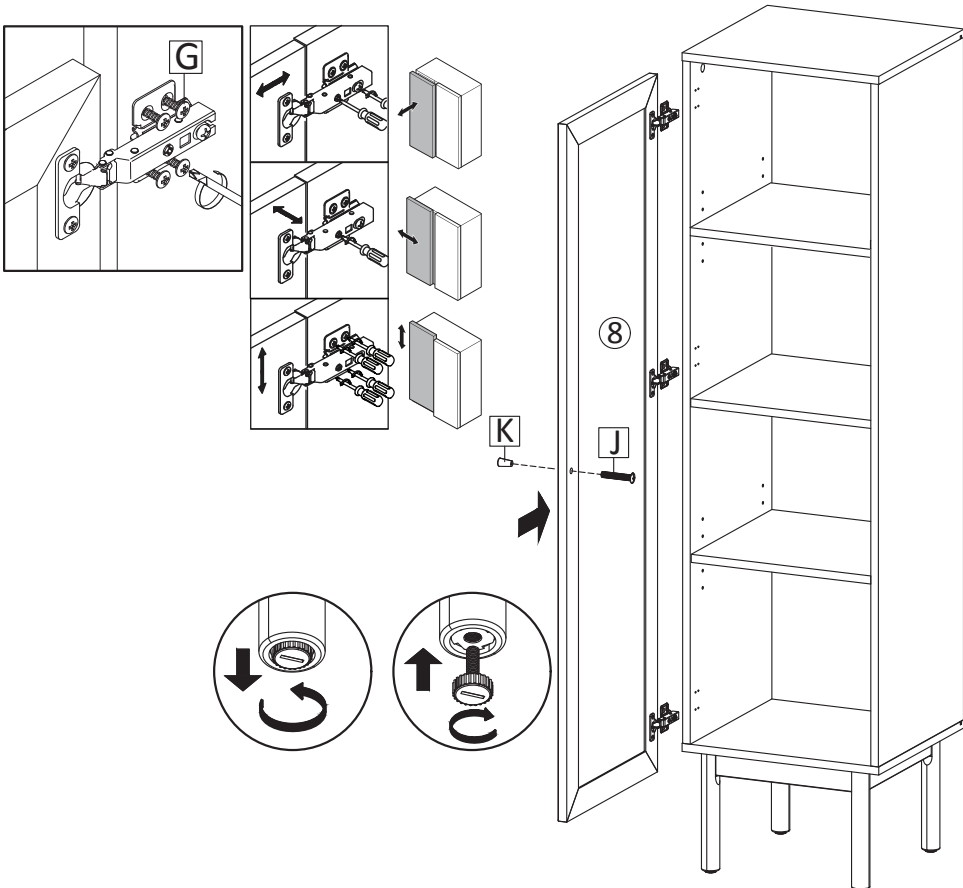
10.



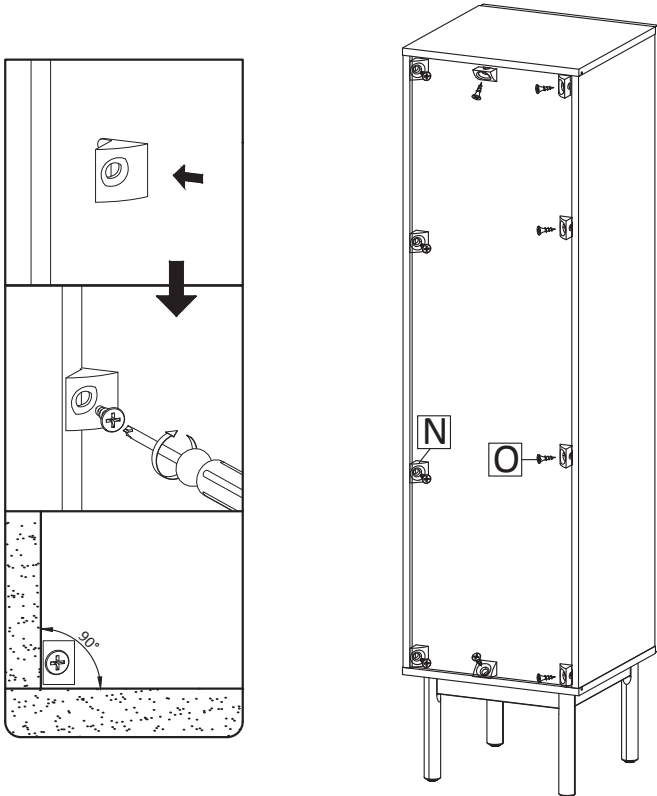
11.



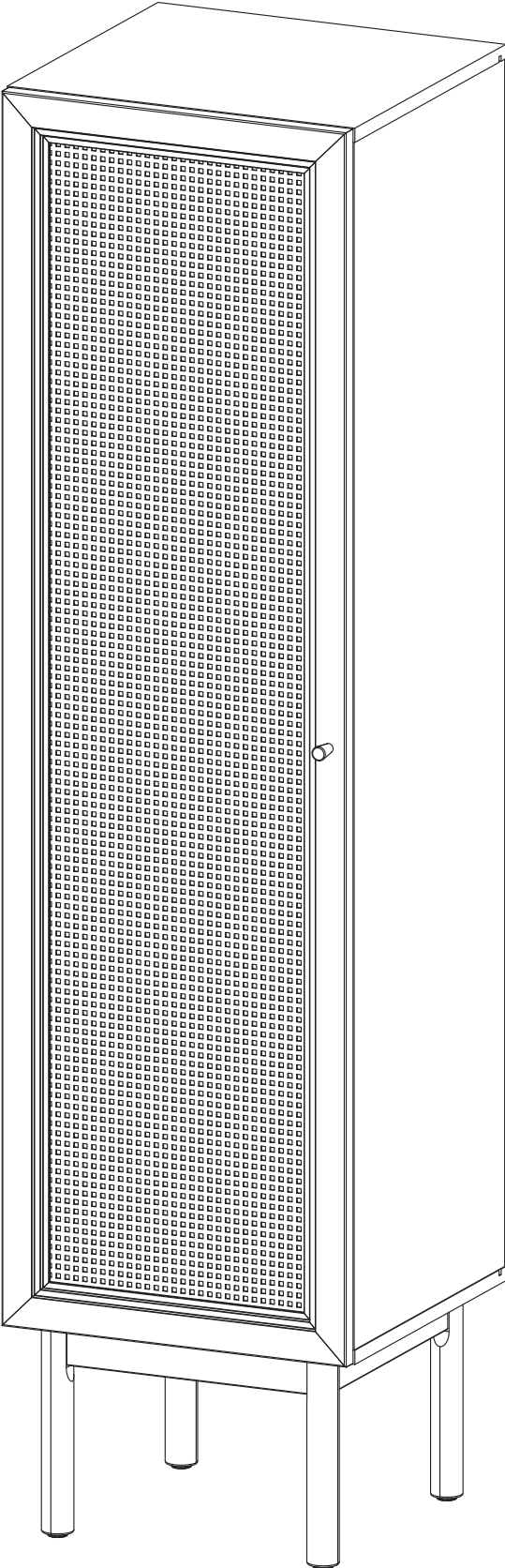
12.



13.



14.

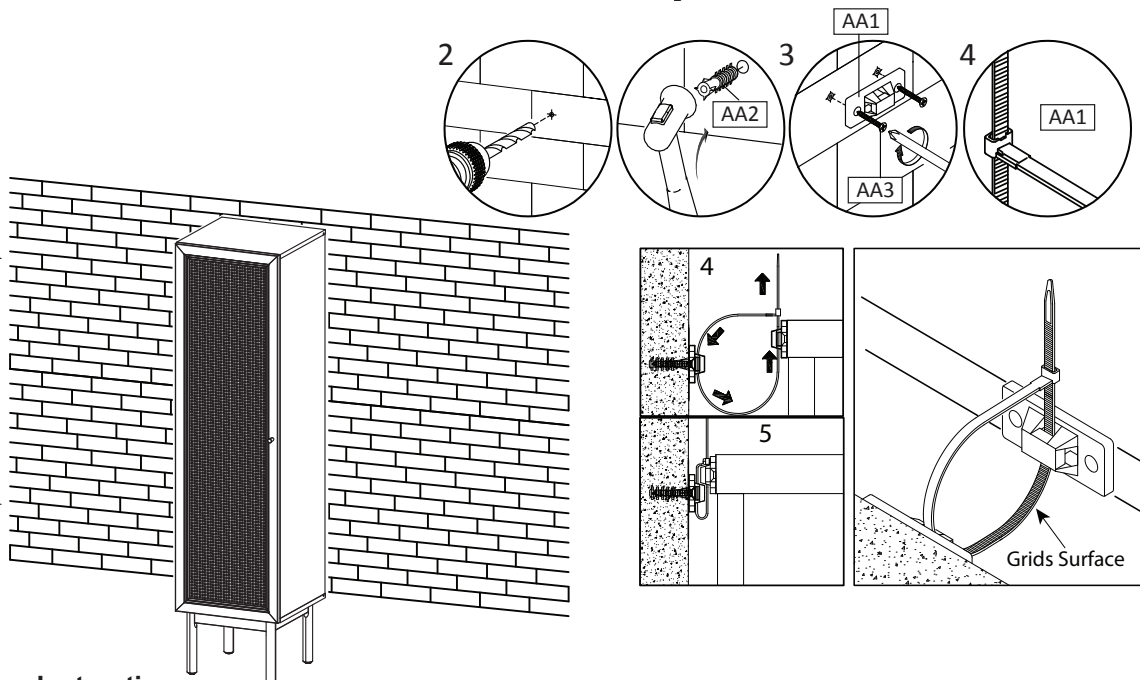
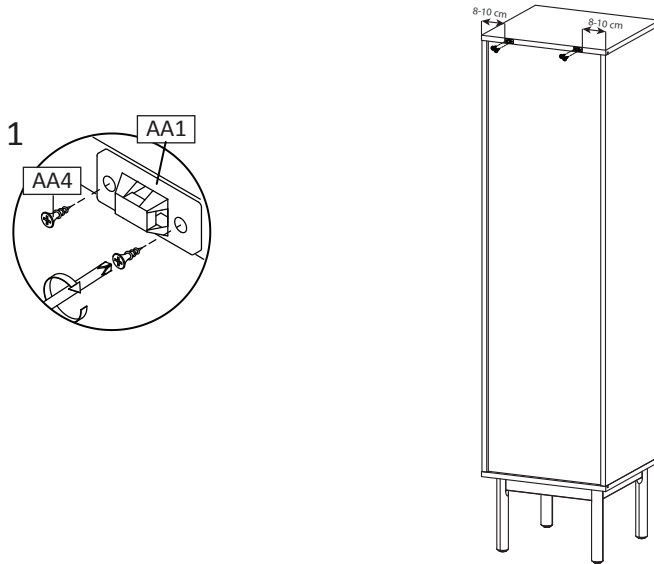
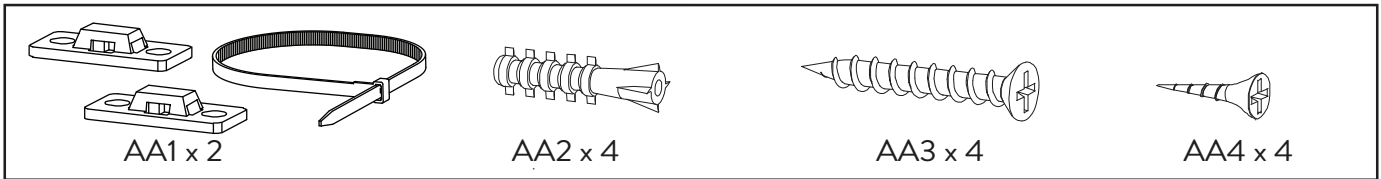


TIPPING RESTRAINTS KIT INSTALLATION GUIDANCE

Different wall materials require unique wall fasteners.

The wall plugs (AA2) and screws (AA3) are designed for fixing to concrete walls only.

Please consult your local hardware store to ensure you are using the correct hardware for your wall type.



Installation Instructions :

1. Attach bracket (AA1) securely to the back top of the furniture using screw (AA4) provided. Allow 8 - 10 cm from each side.
2. Please make a hole for wall plugs position on the wall and minimum 15 mm below bracket secured to the back of unit attach the wall plugs (AA2).
3. Locate the other bracket (AA1) on the wall over wall plugs (AA2). Place furniture into position so both brackets (AA1) are vertically in the line.
4. Lace the end of the restraints strap through the larger hole in each bracket. Ensure the restraints strap with grids surface facing the inner loops. Bring both ends together and slide the flat end through the locking end and draw it through until all slack is removed.
5. Make sure that the strap is securely laced & locked.

ONE YEAR LIMITED WARRANTY

Swiss Madison products are made with quality materials and excellent craftsmanship to provide our customers with beautiful, durable, long-lasting products. Should there be any defects in materials or craftsmanship under regular use that are discovered within the first year of installation, Swiss Madison will provide replacement parts at no charge, or at its discretion, replace any product or part of the product that is deemed defective, under normal installation, use, service or maintenance. This warranty applies only to the original purchaser. Proof of purchase will be required in the instance of a claim.

Swiss Madison recommends all installations of Swiss Madison products to be conducted by a licensed, professional plumber or contractor. Swiss Madison will not be held responsible for any damage or product failure due to improper installation, misuse, or failure to utilize a licensed professional for installation. Swiss Madison is not responsible for any installation or removal costs.

This One Year Limited Warranty Will Be Voided If:


- The installation recommendations were not followed by the installer
- The product has been moved from its initial place of installation
- The product has in any way been modified from its packaged state
- The product has been subjected to improper maintenance, abuse, misuse, excessive use of chemicals, accidents, or other damages, etc.

Swiss Madison makes no implication that its products comply with any local building or plumbing codes. It is the consumer's responsibility and obligation to determine local code compliance prior to and during installation. This warranty extends only to the original purchaser and first consumer.

Swiss Madison is not responsible for any special, incidental or consequential damages associated with the installation, replacement, return or use of the original purchaser's product. This includes, but is not limited to: freight costs, labor, travel time, lost profit, home damages and other contingent liabilities and costs (including, without limitation, costs associated with 'professionals' or 'experts', investigations, audits, analyses, attorneys and any other professional/hired services).

The Swiss Madison warranty is a comprehensive and explicit limit of liability. All items not disclosed within the warranty are not addressable within the responsibility of Swiss Madison. Certain states have variances regarding implied warranties; in those situations, we remain fully compliant.

If you have any questions or concerns, please contact us directly at 1-434-MADISON (623-4766)

 **WARNING:** Contents of your order may contain sharp and possibly other harmful pieces and may cause hazard to children and adults. Swiss Madison is not responsible in any way for personal damages.